

# SchoolLockers.com

Toll Free: 877-952-0151 • Fax: 801-493-0158

**Your Locker Advantage!**

• Email: [lockers@schoollockers.com](mailto:lockers@schoollockers.com)

## BUILT-IN COMBINATION LOCK Rotary Latch #1990



Patents Pending



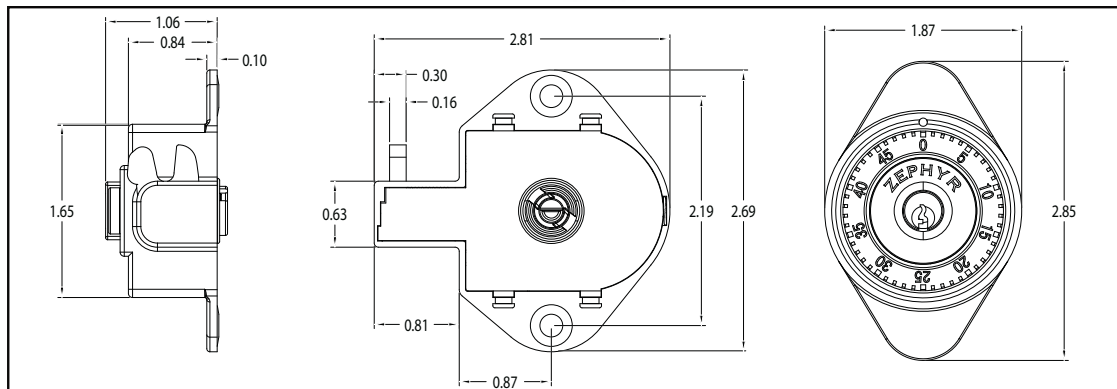
1



2

Patent pending rotary latch operation provides four positive points of engagement when locked making it the most secure built-in lock of its kind available.

### DIMENSIONS



### FEATURES

- Patent pending rotary latch operation
- Engineered to comply with the new high security single point locker design of all major locker manufacturers
- New nut channels for easy installation
- Patent pending button guard to protect lock function from overstuffed lockers
- Metal dial with new grip ring and non-slip coating
- Automatic locking
- Supervisory key control
- 7 Pre-set combinations for extended usage
- 3-digit dialing combination with 5-pin tumbler key plug
- Available 72 hour shipping

### APPLICATIONS

- Any new or existing locker installation utilizing the more secure single point hasp lockers where a higher level of lock security is required