

SchoolLockers.com

Toll Free: 877-952-0151 • Fax: 801-493-0158

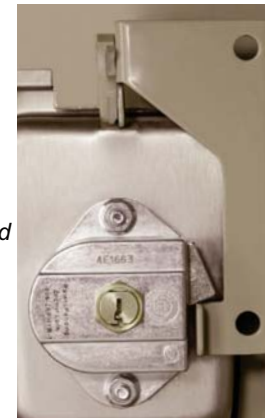
Your Locker Advantage!

• Email: lockers@schoollockers.com

BUILT-IN KEY LOCK ADA Compliant Lock #1730

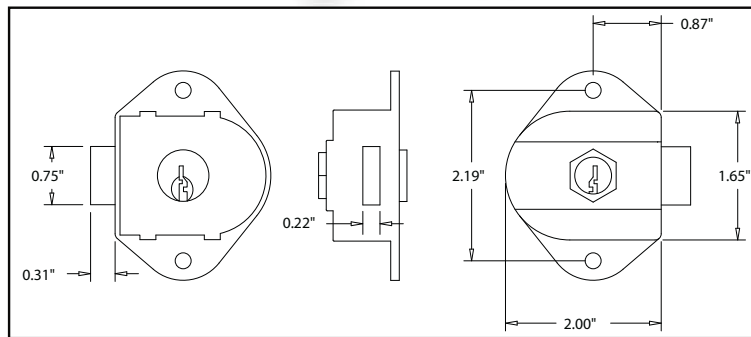


Locked



Unlocked

DIMENSIONS



FEATURES

- The only mechanical built-in locker lock that meets ADA requirements
- Supervisory key control
- Each lock supplied with 3 keys
- For use on lift-latch/multi-point style lockers that normally operate with a #1930 Vertical Dead Bolt lock
- 72 hour shipping available

APPLICATIONS

- Developed as an affordable solution to the current high cost of meeting the 5% requirement of ADA compliant lockers in schools
- Designed to work on lockers with lift latch mechanisms utilizing a mechanical operation
- No twisting of the wrist or more than 5 lbs. of force to operate as required in sec. 4.27.4 of the ADA's Accessibility Guidelines for Building and Facilities
- User-operated by simply inserting the key to unlock, then lifting the handle on the locker door; To lock the user only needs to close the door and remove the key