

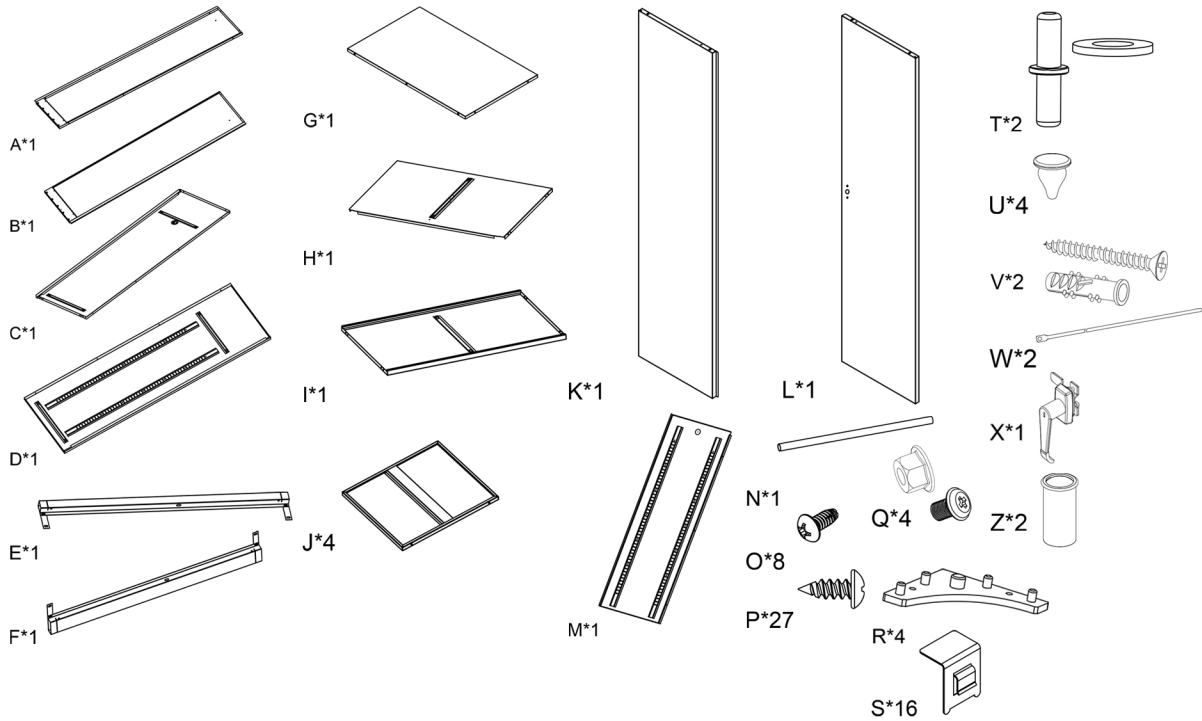
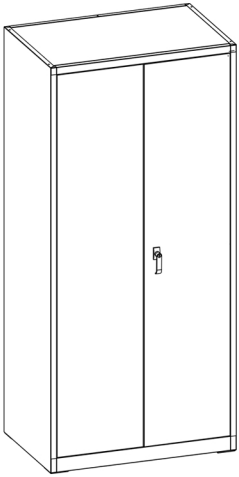
Assembly Instructions

Jorgenson Combination Cabinets

1

Identify Parts

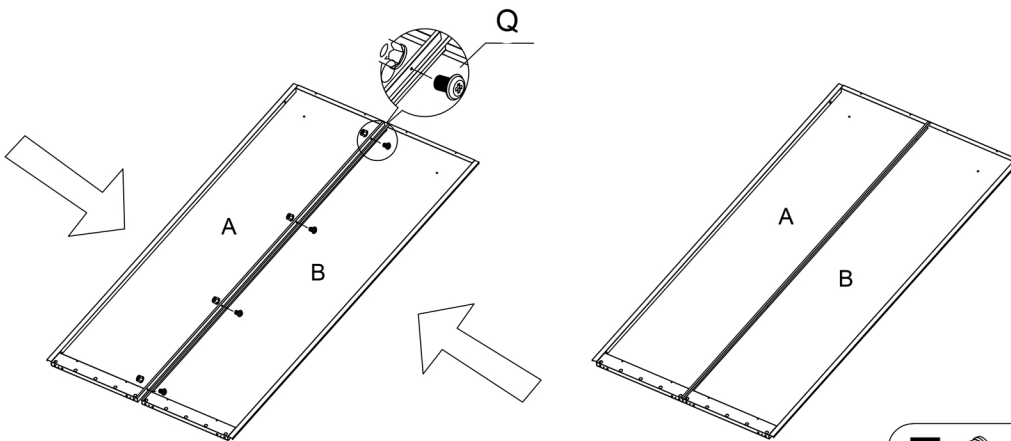
Remove unassembled locker parts from the packaging. Next, locate and identify each part based on the images show below:



2

Start Assembling

- Connect panel (A) and panel (B) to each other, align the hole position and secure with screw (Q).

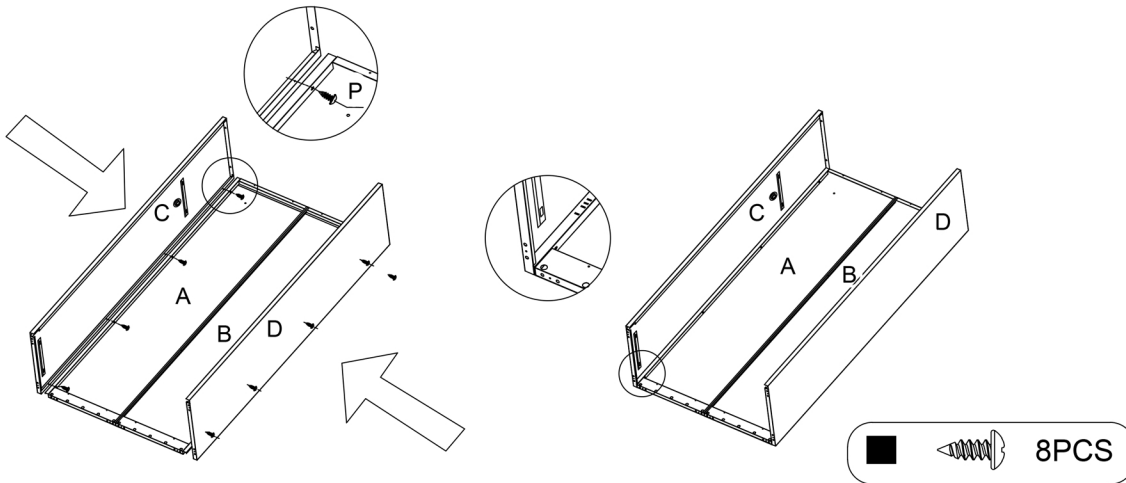


Assembly Instructions

Jorgenson Combination Cabinets

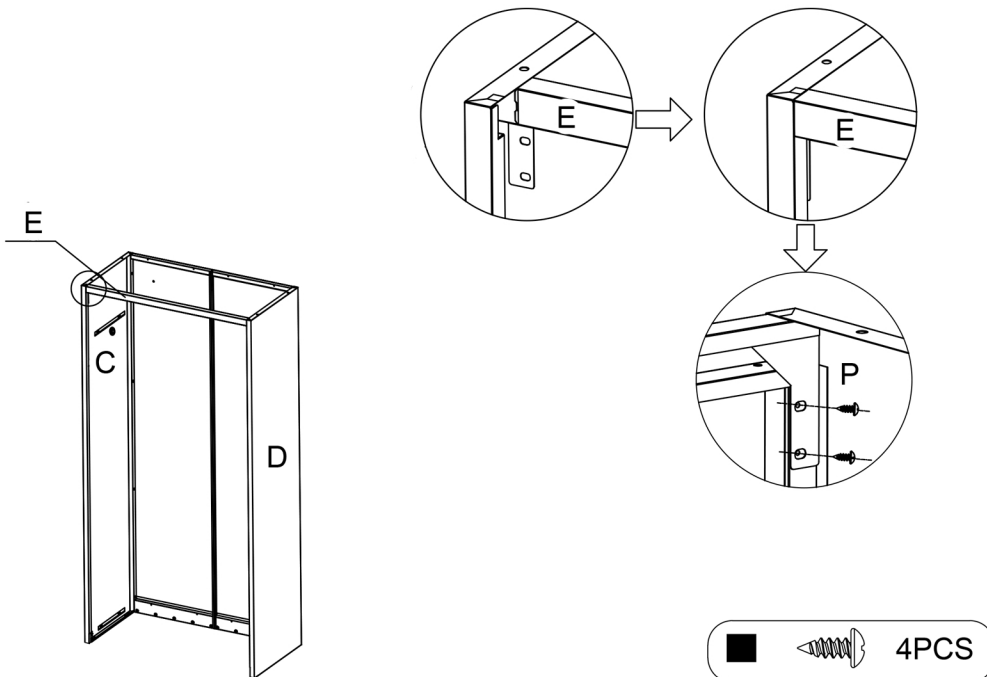
3

- Connect panel (C) to panel (A) and panel (D) to panel (B), then align the hole positions and secure panels with screw (P).



4

- Set frame (E) on top of panel (C) and (D). Secure with screws on each side.

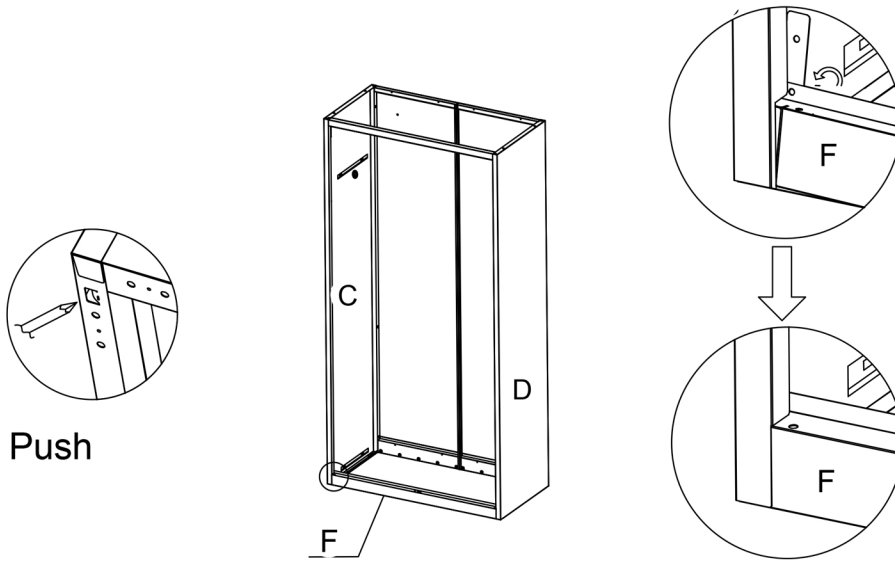


Assembly Instructions

Jorgenson Combination Cabinets

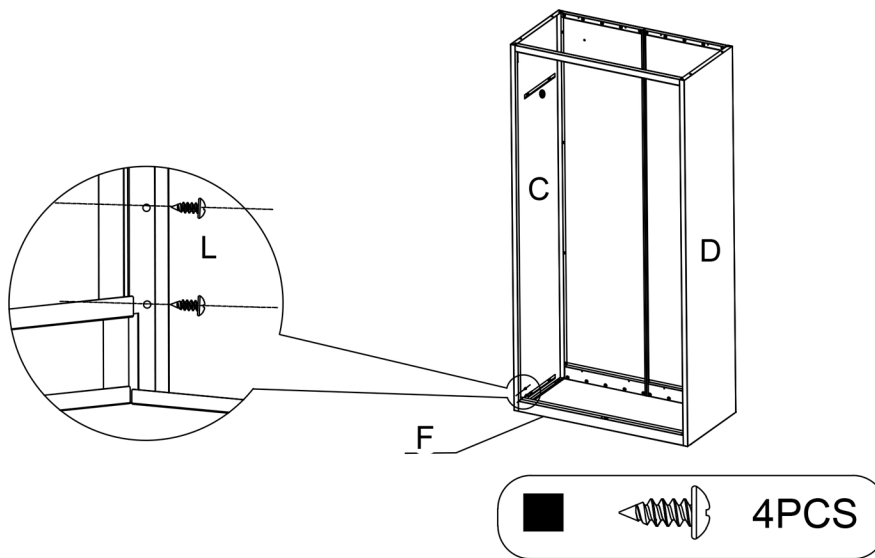
• 5 •

- Install frame (F) to the bottom of panels (C) and (D), align holes up to each other.



• 6 •

- Connect panels (C) and (D) to frame (F) and secure with four screws (P).

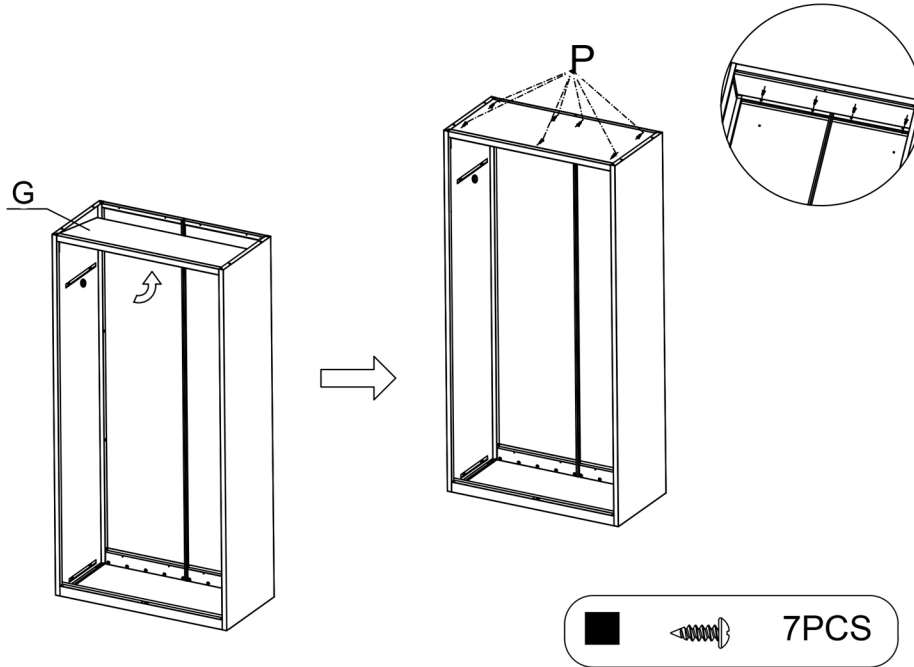


Assembly Instructions

Jorgenson Combination Cabinets

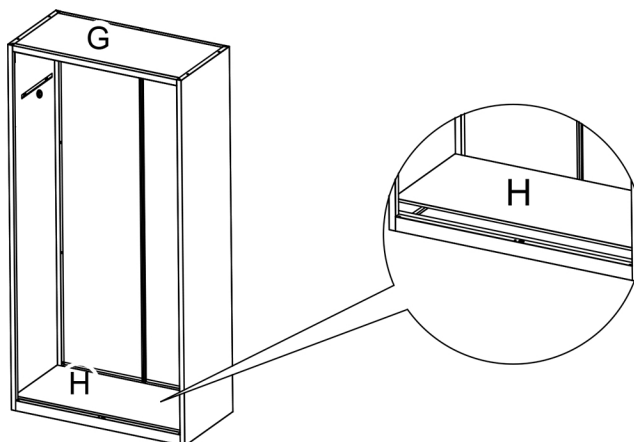
7

- Secure Panel (G) into position at the top with 7 screws (P).



8

- Install bottom panel (H).

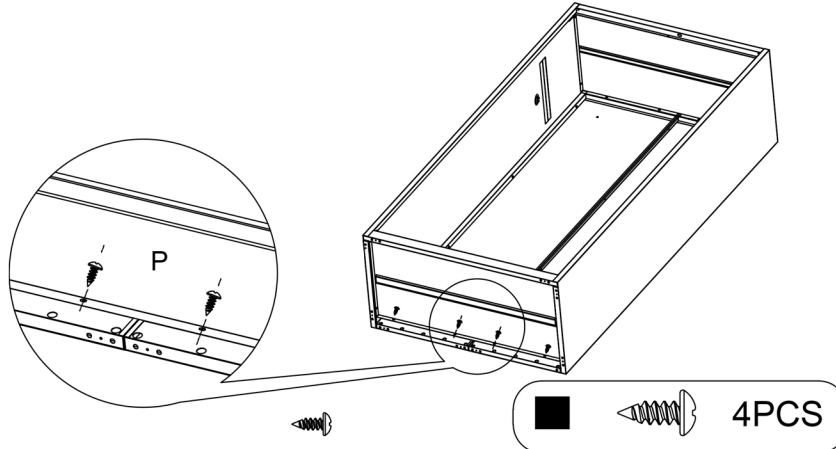


Assembly Instructions

Jorgenson Combination Cabinets

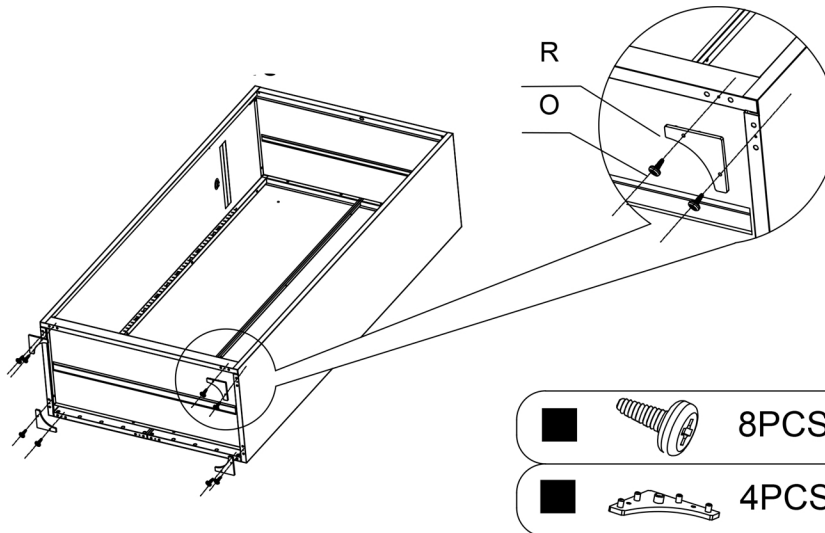
9

- Use 4 screws (P) to secure the bottom plate into place.



10

- Fix the four standing feet (R) to the four corners at the bottom with screws (O).

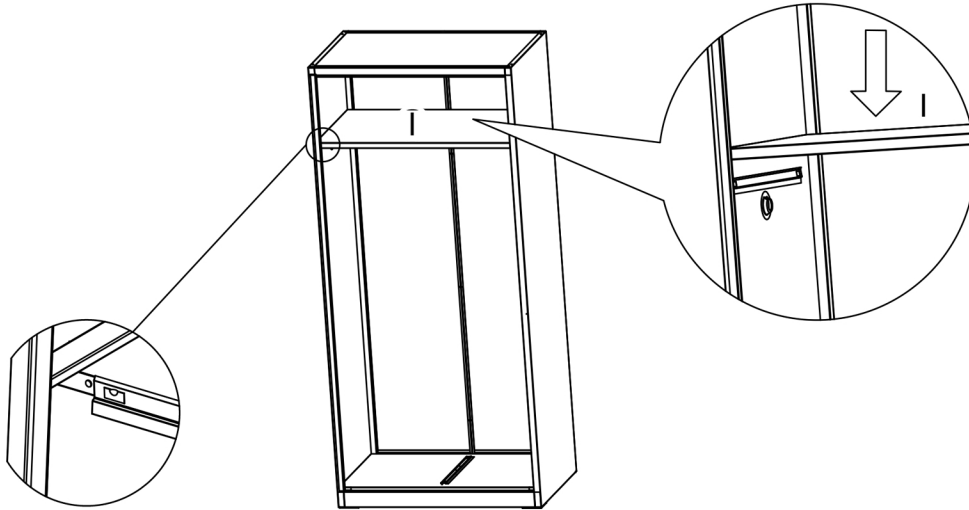


Assembly Instructions

Jorgenson Combination Cabinets

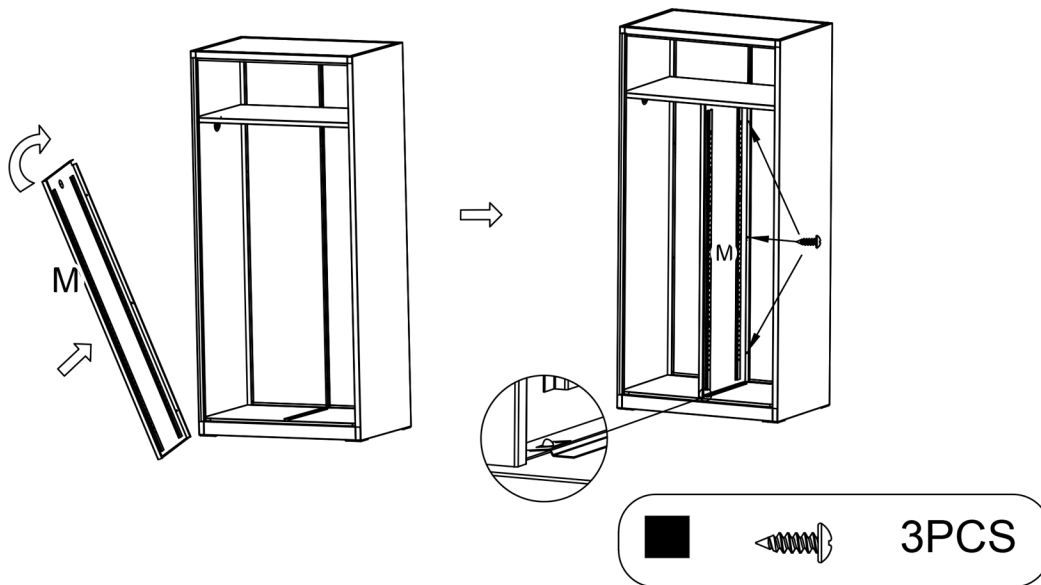
• 11 •

- Place the middle shelf into position.



• 12 •

- Install the vertical grating as illustrated. Then align the holes into position and secure with screws (P).

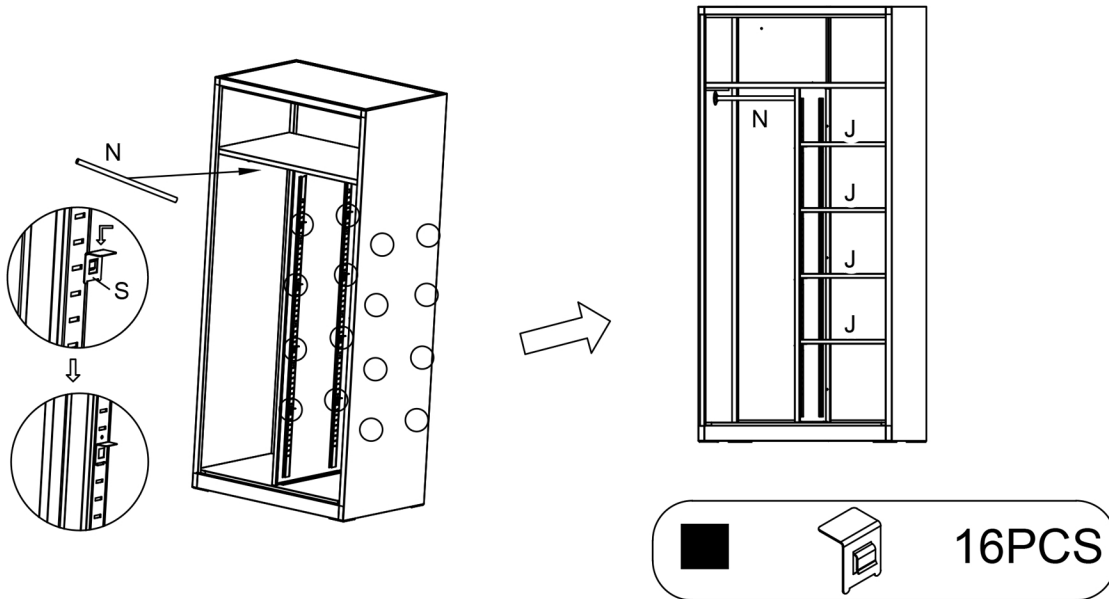


Assembly Instructions

Jorgenson Combination Cabinets

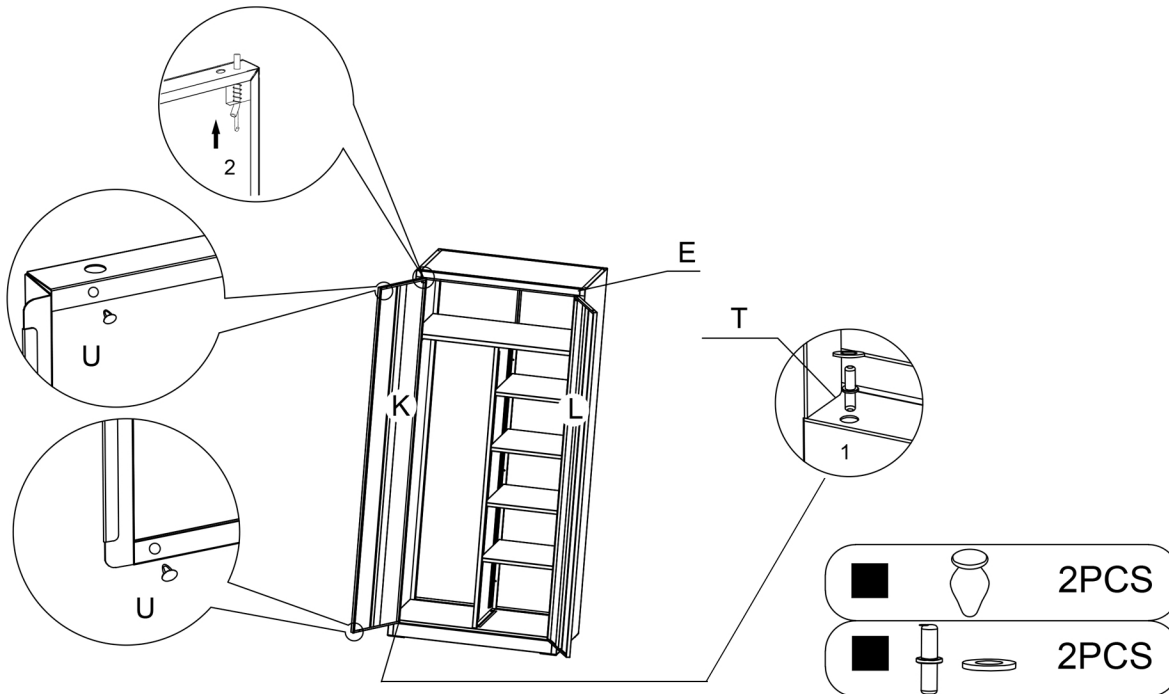
• 13 •

- First install the laminate (S) buckle. Then put the shelf and clothes rails in place.



• 14 •

- Insert pieces (T) into the bottom hole on both sides. Then, install the door panels (K) and (L) in turn according to the picture below. Finally install pieces (U) on door panels (K) and (L).

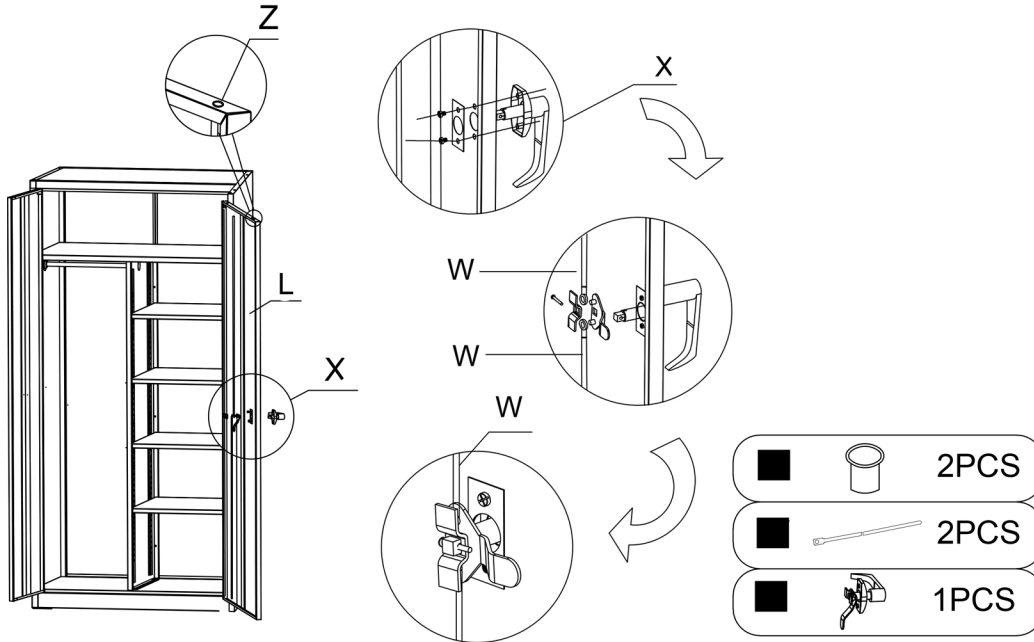


Assembly Instructions

Jorgenson Combination Cabinets

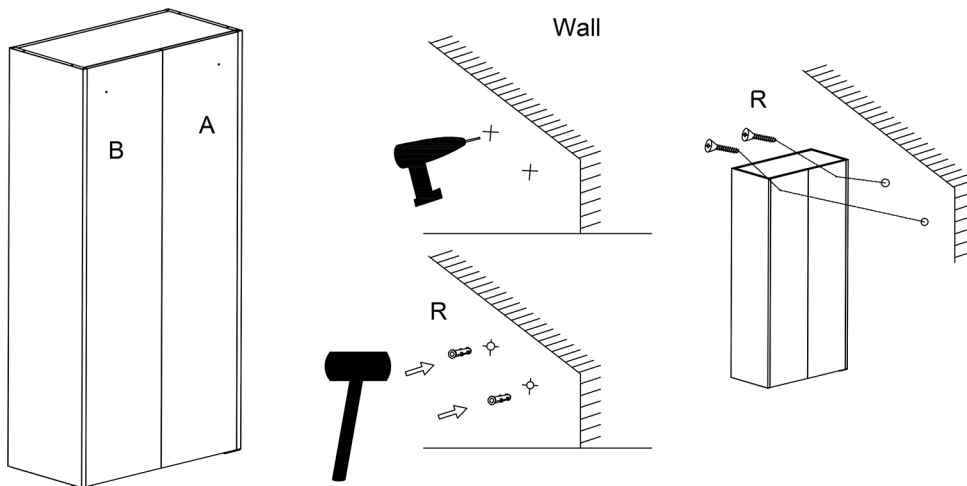
• 15 •

- Look at the position of pieces (X), (W), (Z) on the drawing and install on door panel (L).



• 16 •

- Secure cabinet to wall with screws (R).



Assembly Instructions

Jorgenson Combination Cabinets

