

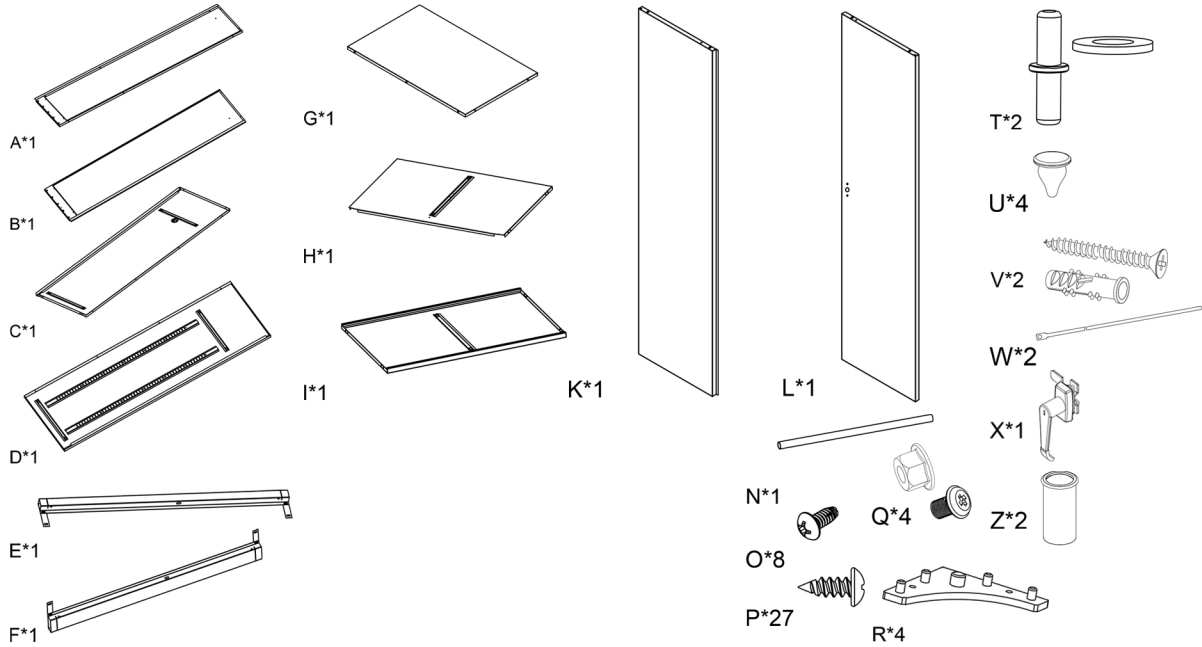
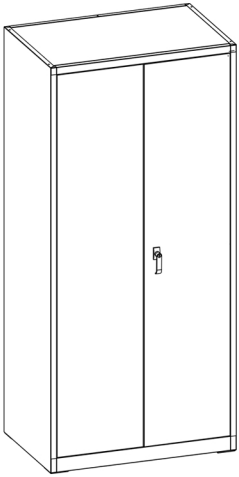
Assembly Instructions

Jorgenson Wardrobe Cabinets

1

Identify Parts

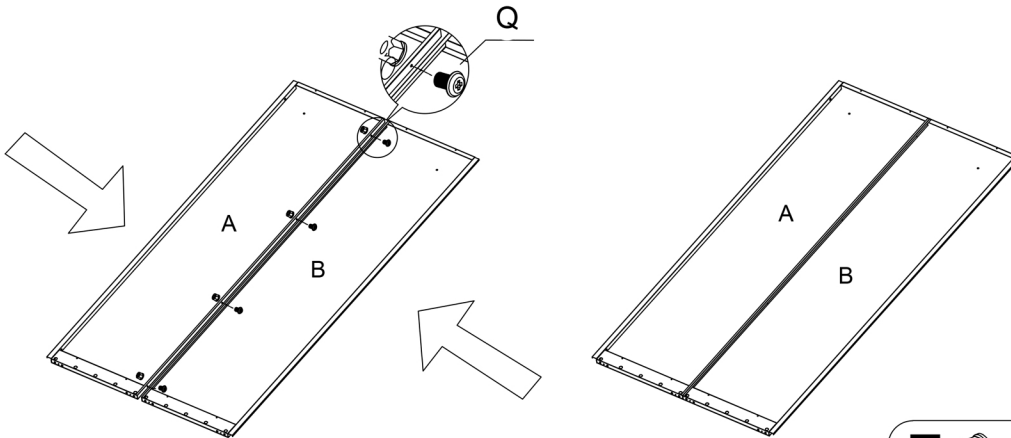
Remove unassembled locker parts from the packaging. Next, locate and identify each part based on the images show below:



2

Start Assembling

- Connect panel (A) and panel (B) to each other, align the hole position and secure with screw (Q).

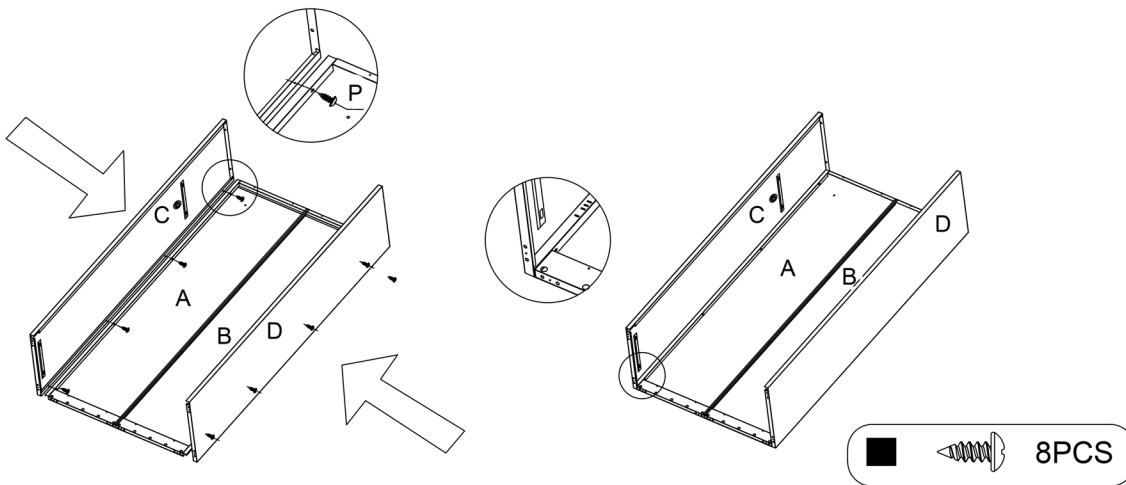


Assembly Instructions

Jorgenson Wardrobe Cabinets

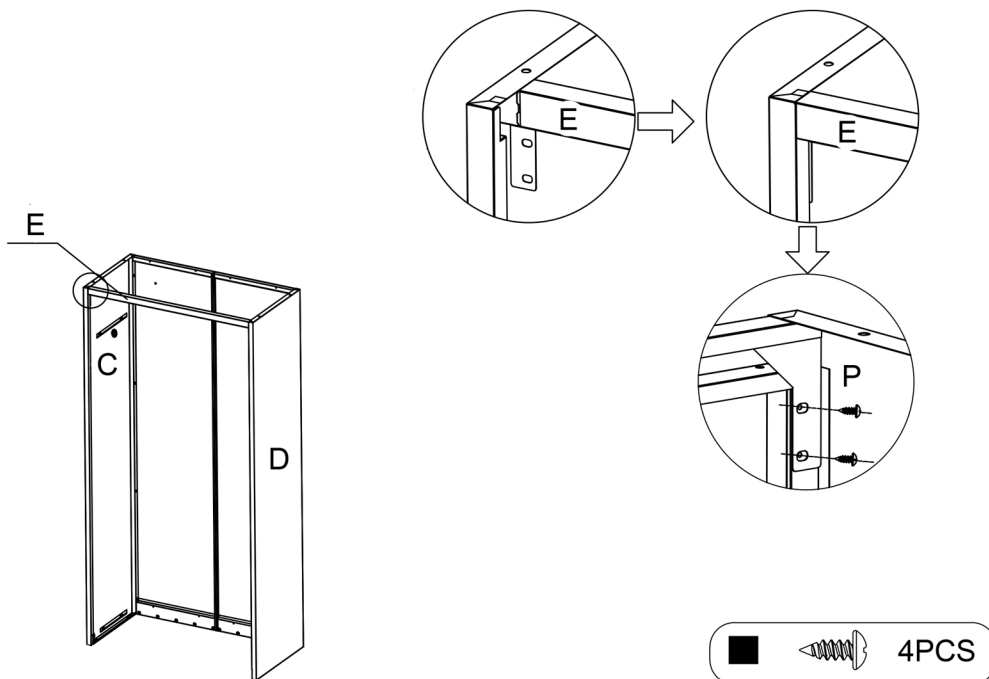
3

- Connect panel (C) to panel (A) and panel (D) to panel (B), then align the hole positions and secure panels with screw (P).



4

- Set frame (E) on top of panel (C) and (D). Secure with screws on each side.

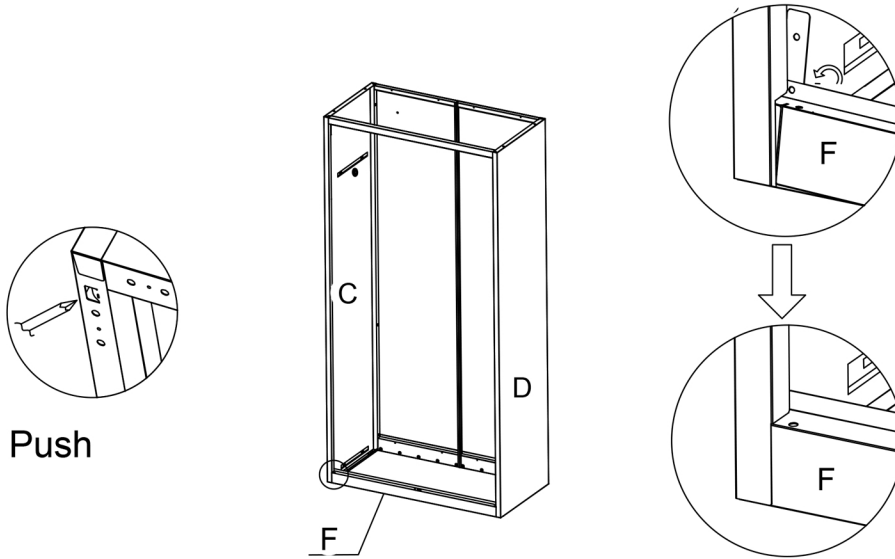


Assembly Instructions

Jorgenson Wardrobe Cabinets

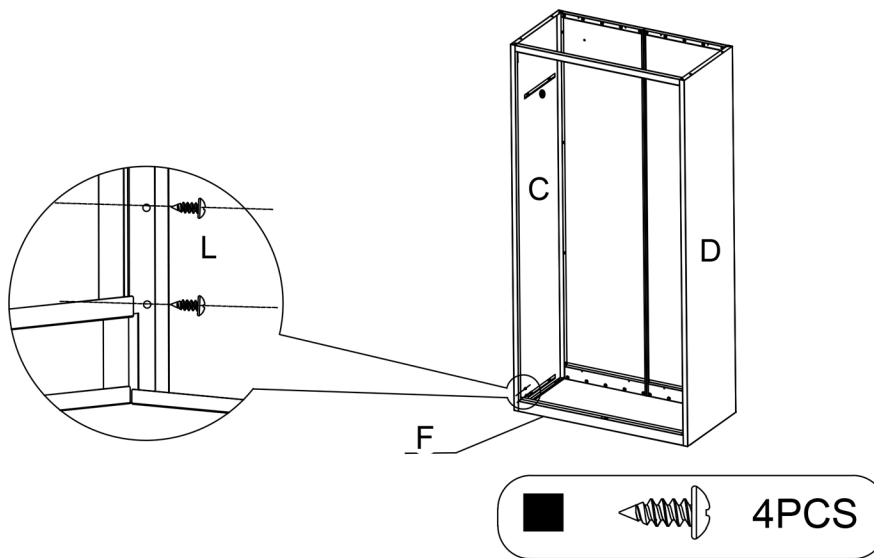
5

- Install frame (F) to the bottom of panels (C) and (D), align holes up to each other.



6

- Connect panels (C) and (D) to frame (F) and secure with four screws (P).

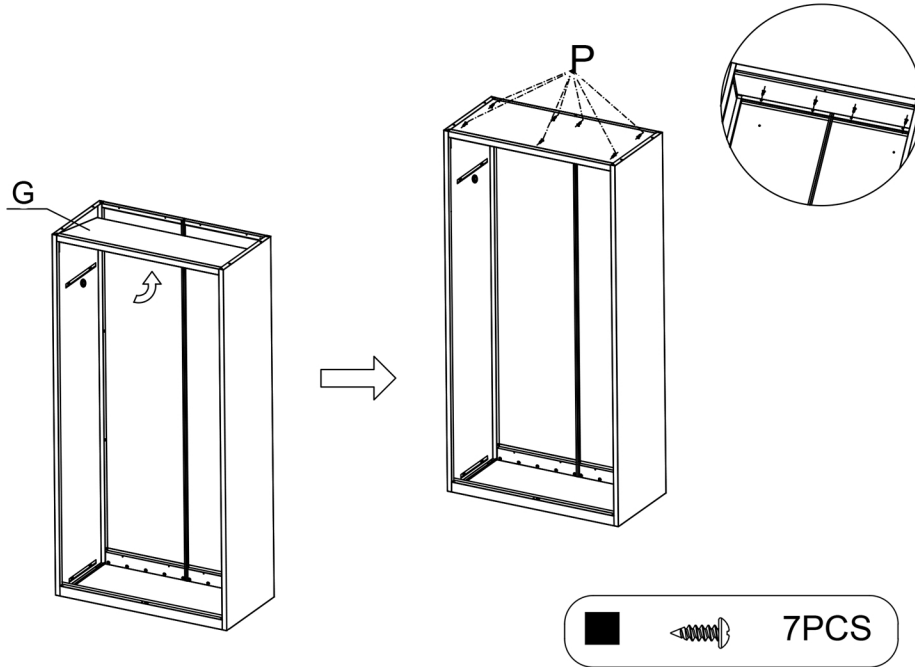


Assembly Instructions

Jorgenson Wardrobe Cabinets

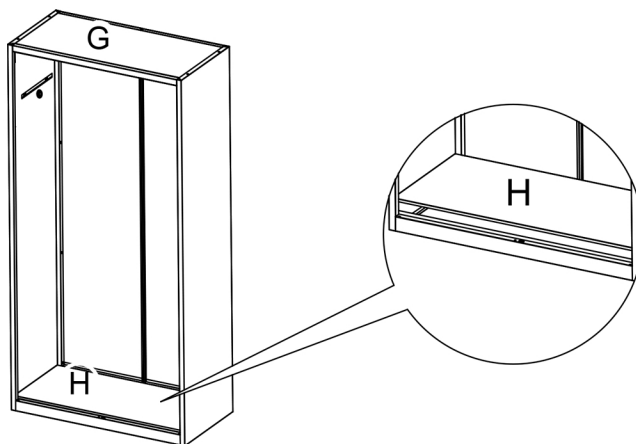
• 7 •

- Secure Panel (G) into position at the top with 7 screws (P).



• 8 •

- Install bottom panel (H).

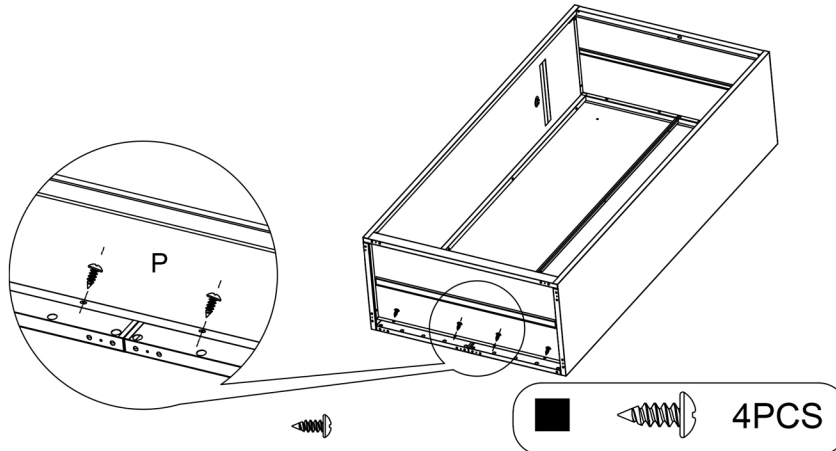


Assembly Instructions

Jorgenson Wardrobe Cabinets

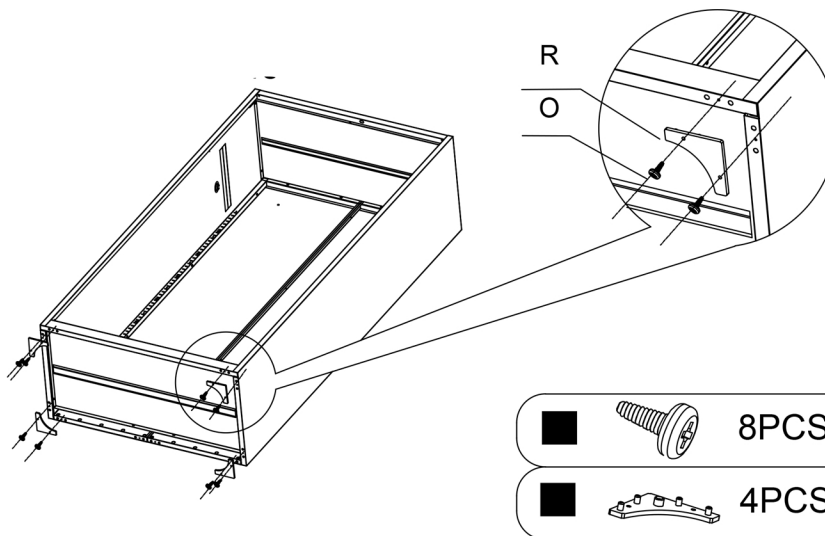
9

- Use 4 screws (P) to secure the bottom plate into place.



10

- Fix the four standing feet (R) to the four corners at the bottom with screws (O).

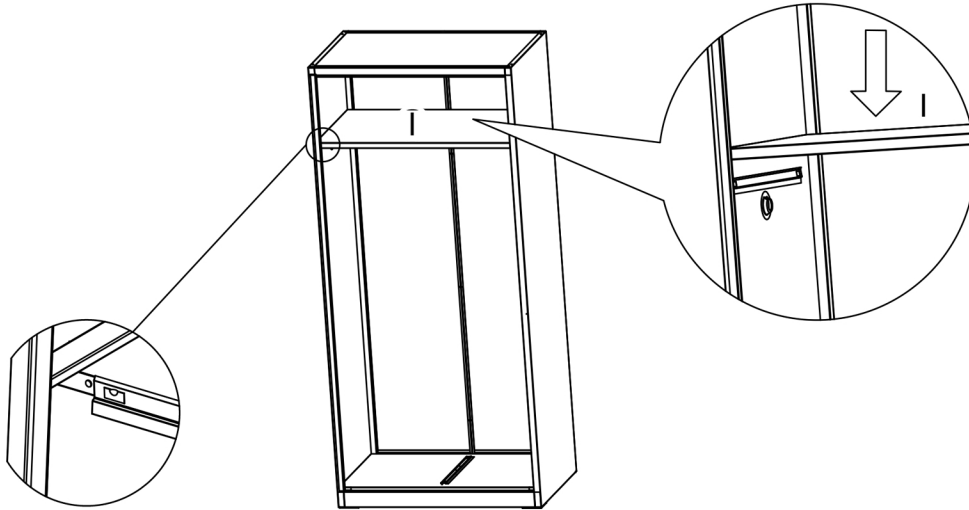


Assembly Instructions

Jorgenson Wardrobe Cabinets

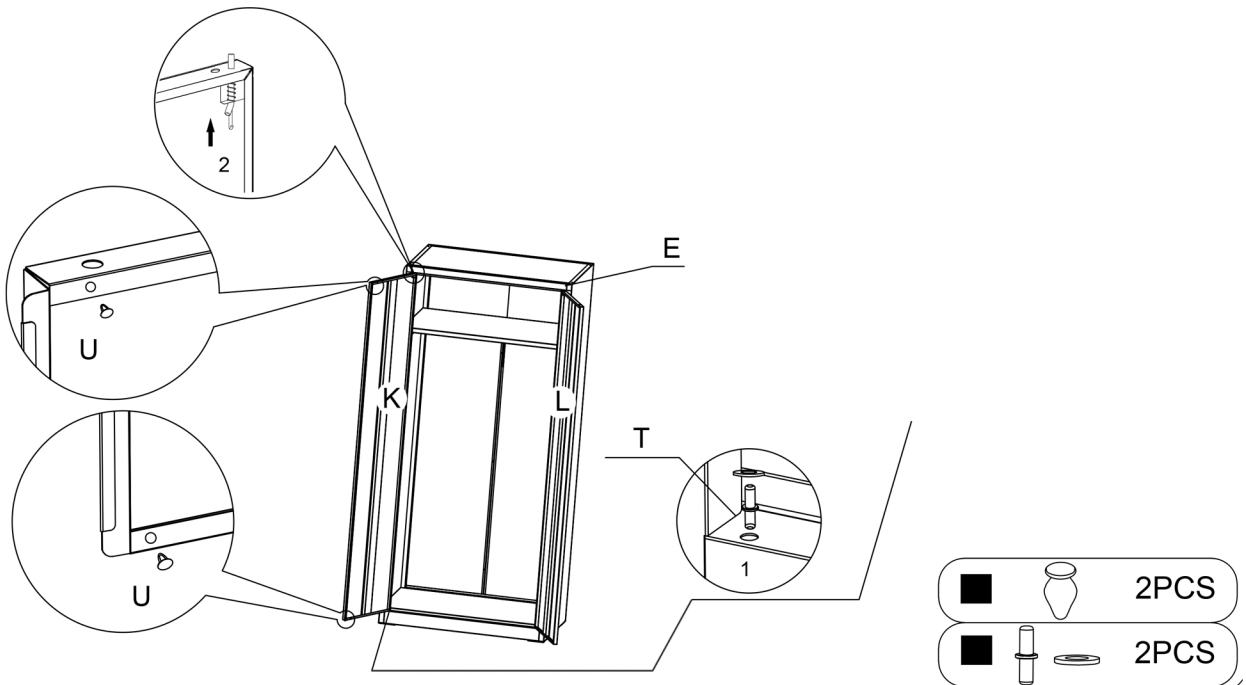
• 11 •

- Place the middle shelf into position.



• 12 •

- Install door panels (K) and (L) as illustrated. Then align the holes into position and secure with parts (T) and (U).

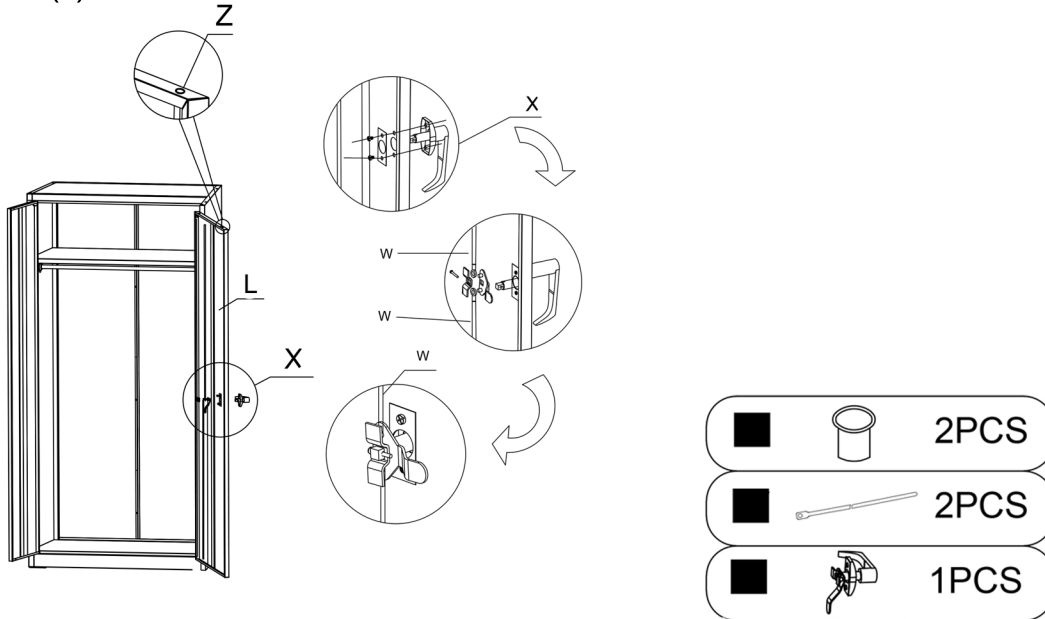


Assembly Instructions

Jorgenson Wardrobe Cabinets

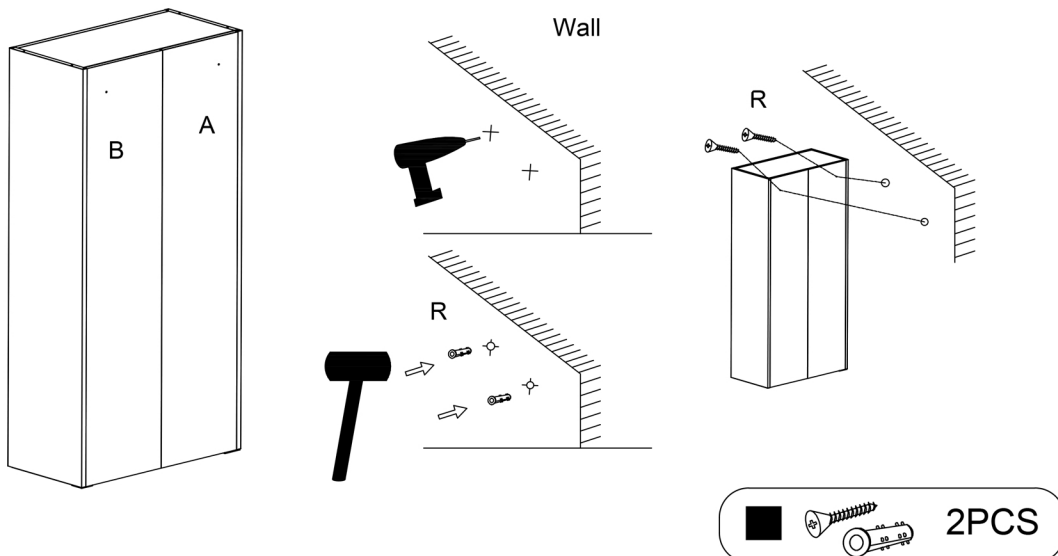
• 13 •

- Look at the position of (X) and (W) in the illustration below, install hardware as shown into door panel (L).



• 14 •

- Secure cabinet to wall with screws (R).



Assembly Instructions

Jorgenson Wardrobe Cabinets

