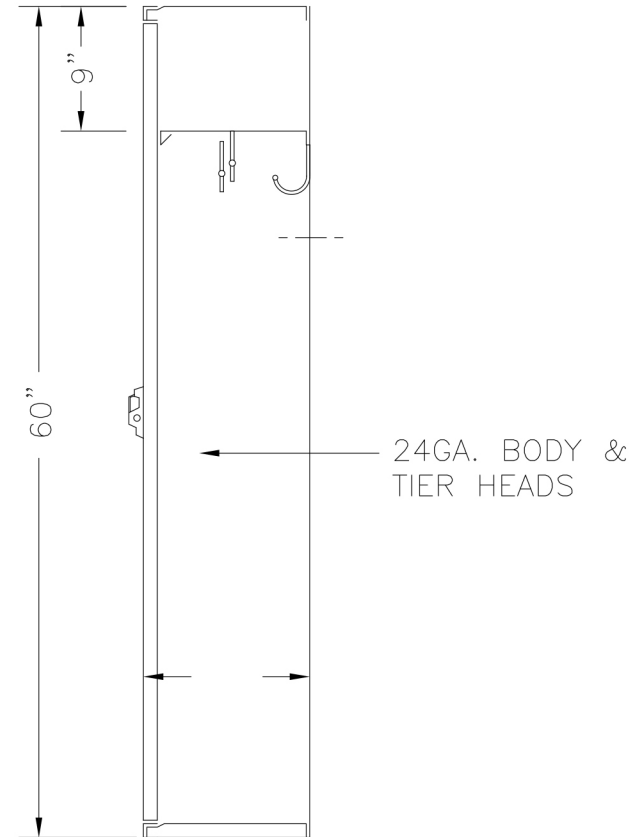


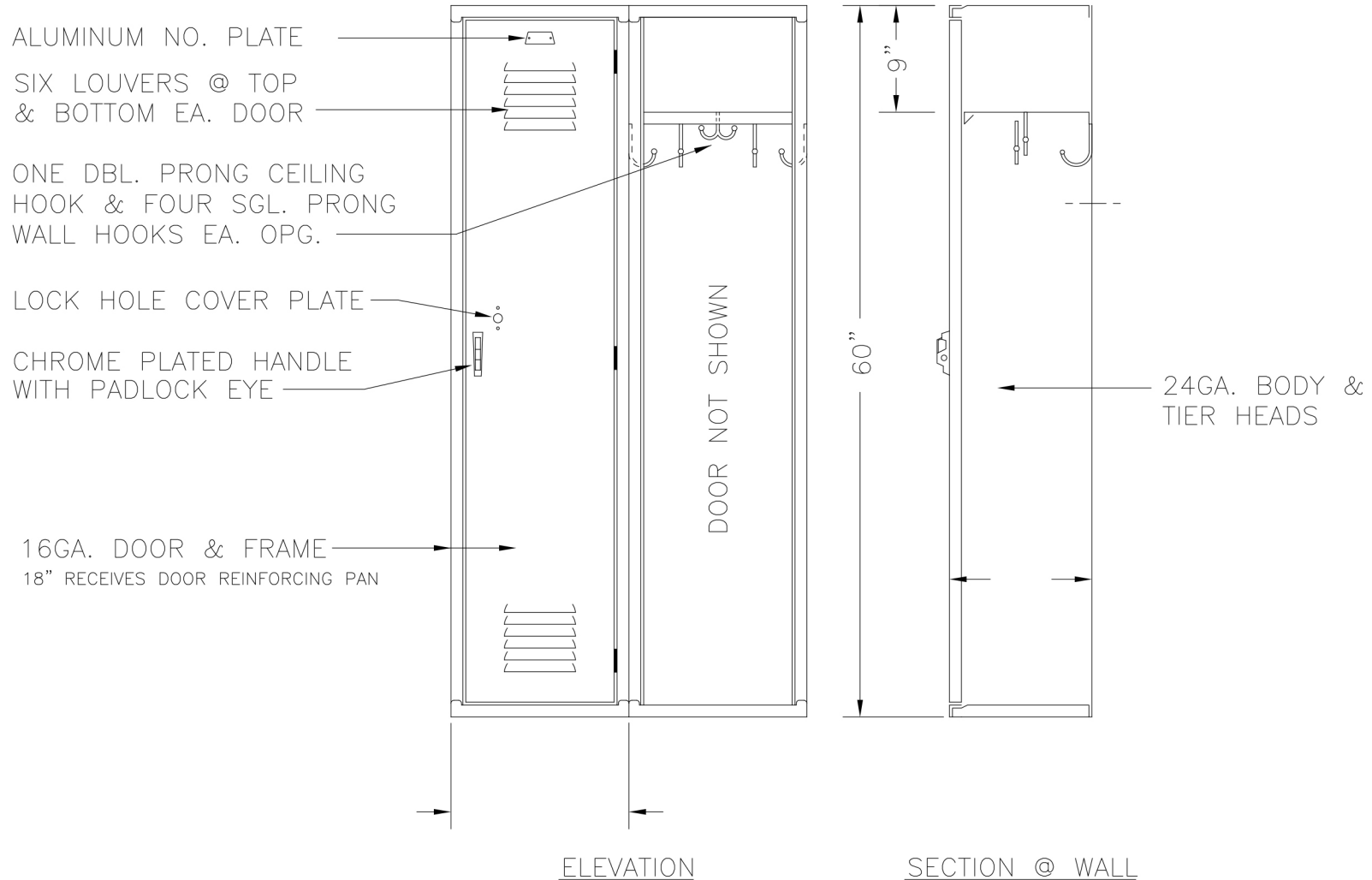
ELEVATION



SECTION @ WALL

**60" HIGH SINGLE TIER JORGENSEN SIGNATURE LOCKER**

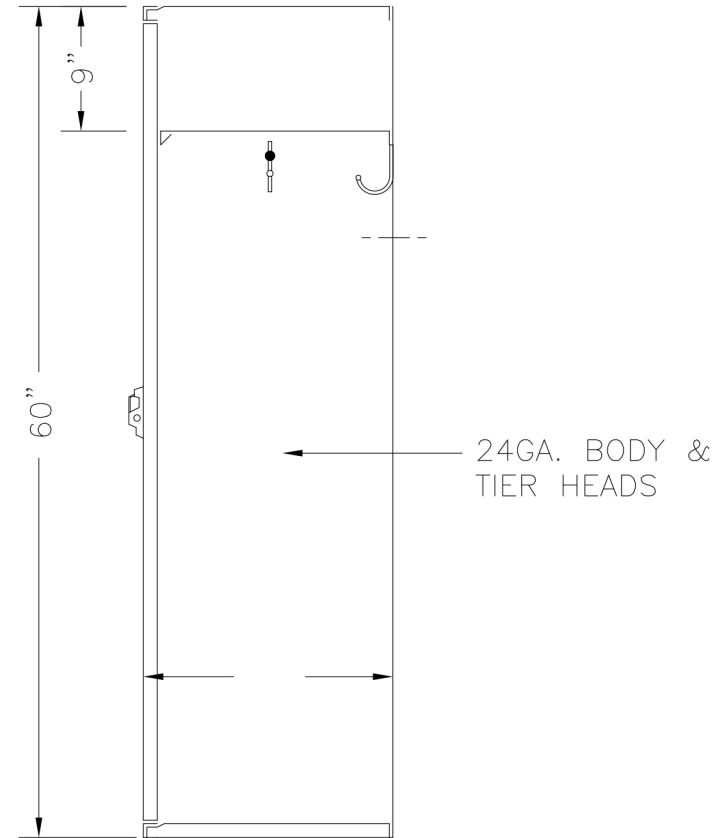
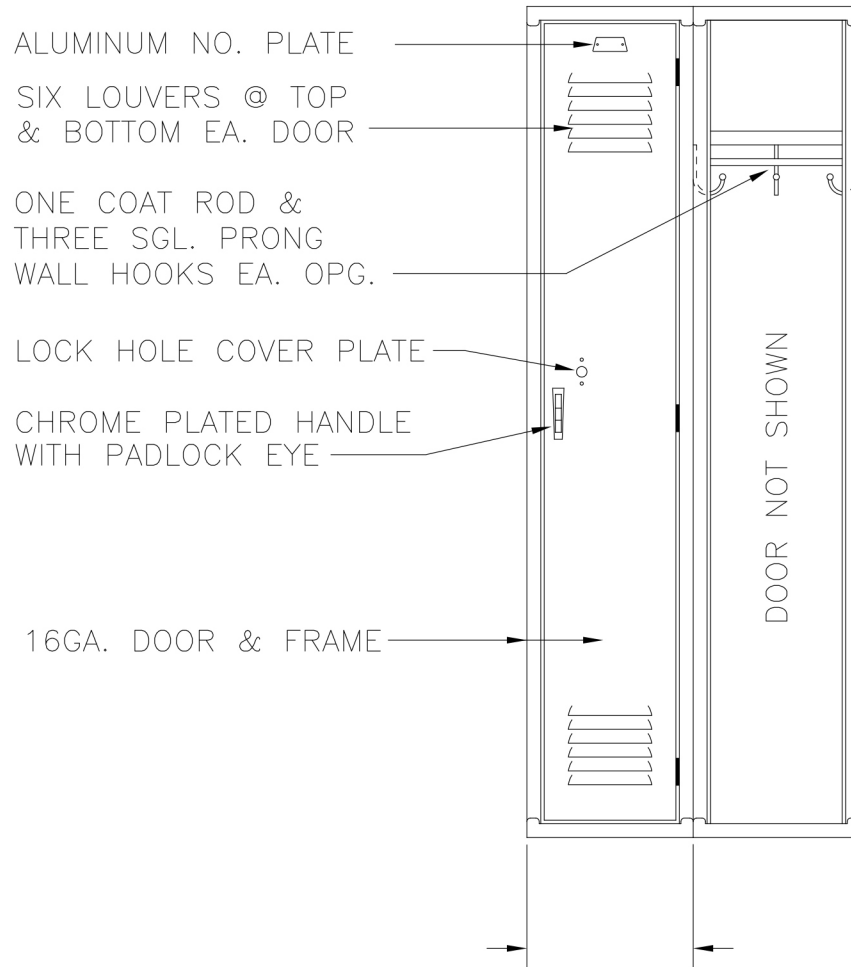
TYPICAL FOR 9" & 12" WIDE, ALLOW 1/16" CREEPAGE PER FRAME  
 TYPICAL FOR 12" & 15" DEEP



**60" HIGH SINGLE TIER JORGENSON SIGNATURE LOCKER**

TYPICAL FOR 15" & 18" WIDE, ALLOW 1/16" CREEPAGE PER FRAME

TYPICAL FOR 12" & 15" DEEP



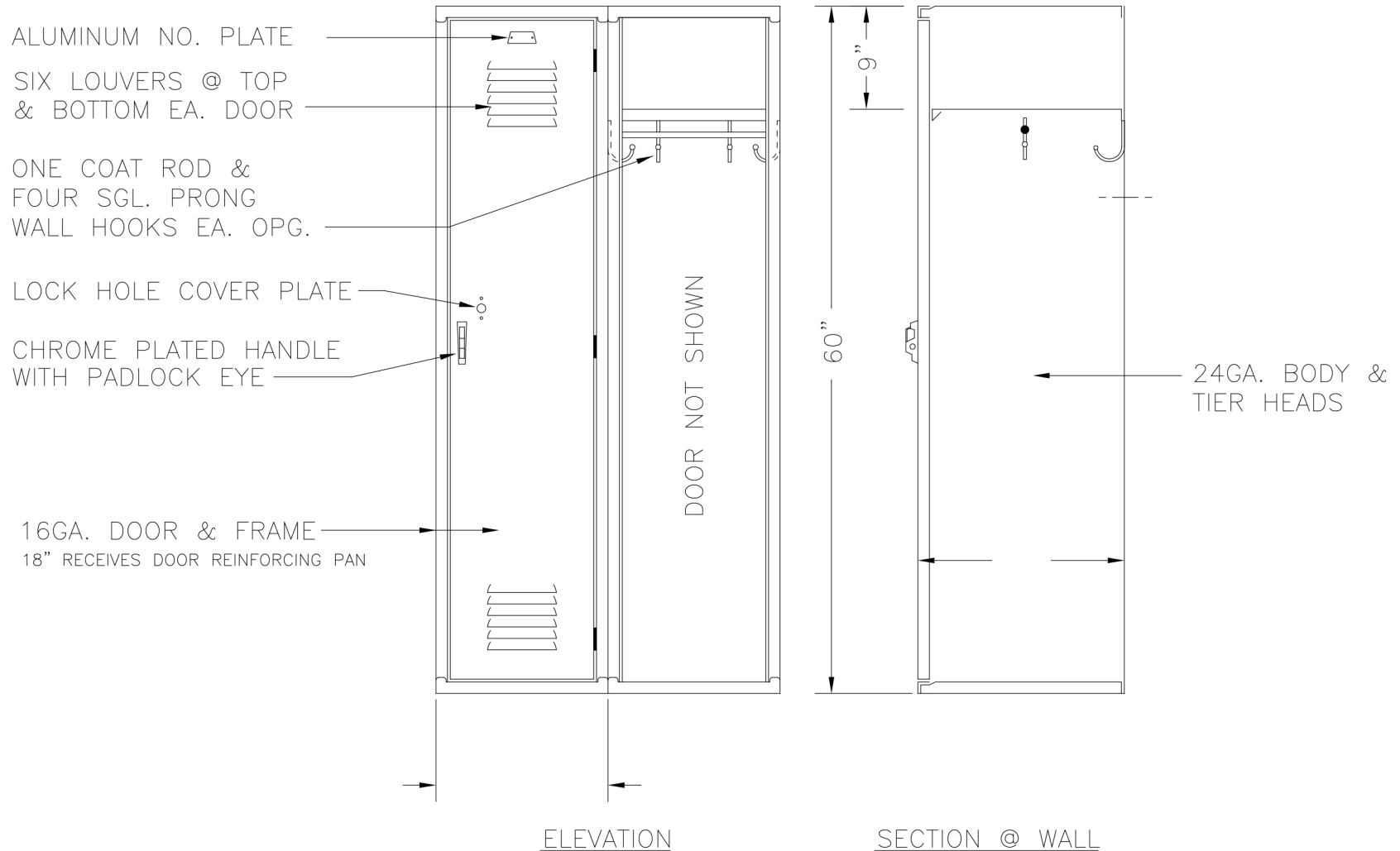
ELEVATION

SECTION @ WALL

60" HIGH SINGLE TIER JORGENSEN SIGNATURE LOCKER

TYPICAL FOR 9" & 12" WIDE, ALLOW 1/16" CREEPAGE PER FRAME

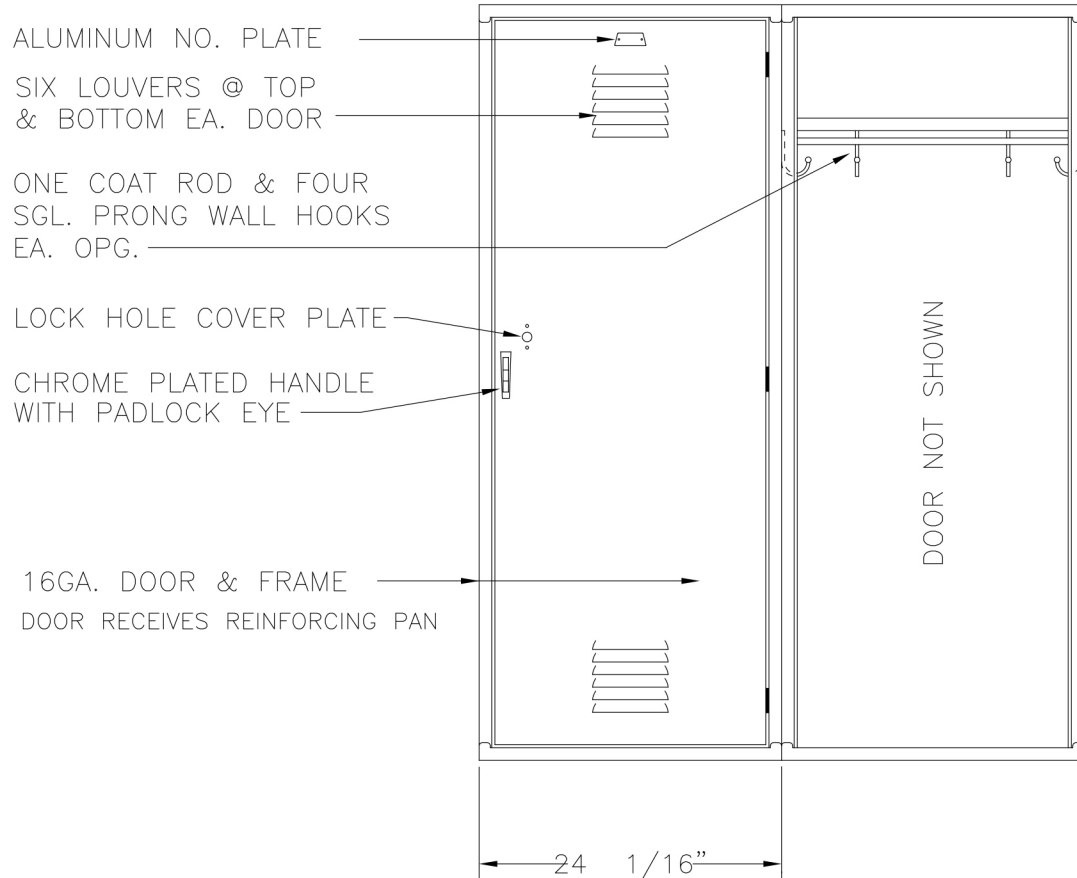
TYPICAL FOR 18", 21", & 24" DEEP



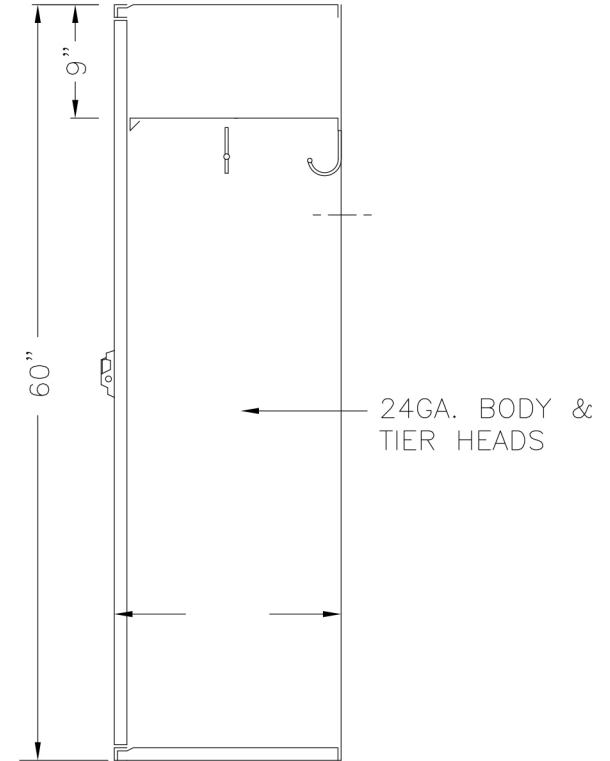
**60" HIGH SINGLE TIER JORGENSON SIGNATURE LOCKER**

TYPICAL FOR 15" & 18" WIDE, ALLOW 1/16" CREEPAGE PER FRAME

TYPICAL FOR 18", 21", & 24" DEEP



ELEVATION



SECTION @ WALL

60" HIGH SINGLE TIER SINGLE DOOR JORGENSON SIGNATURE LOCKER

24" WIDE, ALLOW 1/16" CREEPAGE PER FRAME  
 TYPICAL FOR 18", 21", & 24" DEEP

ALUMINUM NO. PLATE

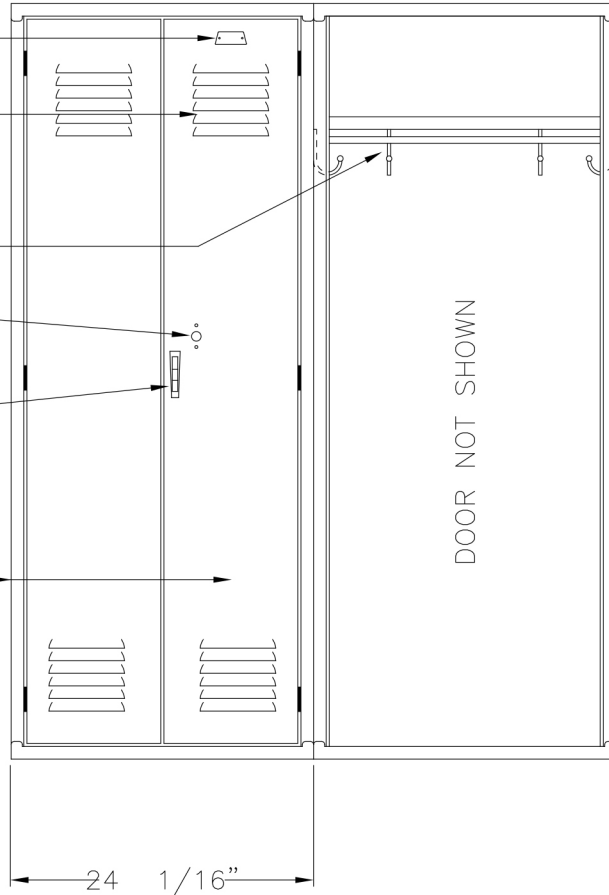
SIX LOUVERS @ TOP  
& BOTTOM EA. DOOR

ONE COAT ROD & FOUR  
SGL. PRONG WALL HOOKS  
EA. OPG.

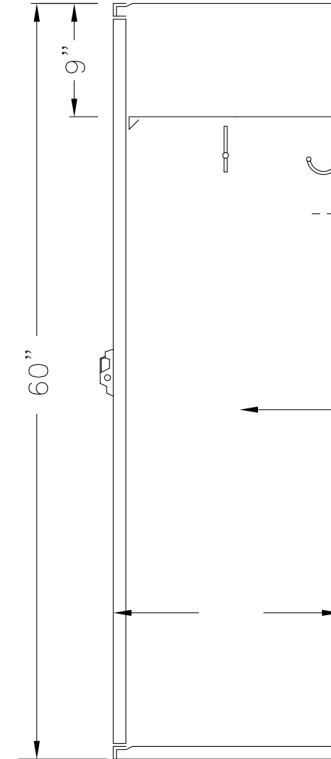
LOCK HOLE COVER PLATE

CHROME PLATED HANDLE  
WITH PADLOCK EYE

16GA. DOORS & FRAME



ELEVATION



24GA. BODY &  
TIER HEADS

SECTION @ WALL

60" HIGH SINGLE TIER DOUBLE DOOR JORGENSEN SIGNATURE LOCKER

24" WIDE, ALLOW 1/16" CREEPAGE PER FRAME  
 TYPICAL FOR 18", 21", & 24" DEEP