












**Fasteners & Tools Needed**

- 8676- Steel mandrel aluminum rivet 
- 8709-Screw 
- 8619- Steel rivet 
- 8702 machine screw 
- 8617- coat rod hook 
- 8671- Aluminum Rivet for number plate 
- 8721- Plastic drawer glide screw 
- 6FFCBBOLT- 
- 8624 lag bolt 

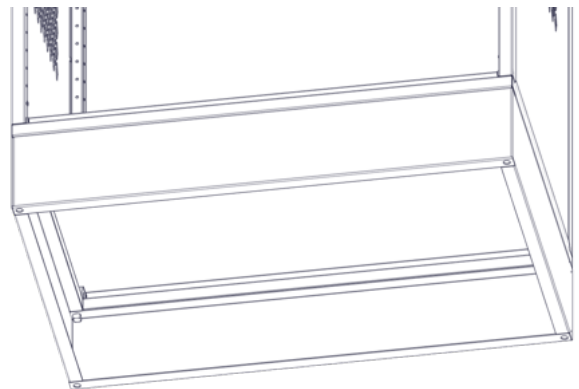
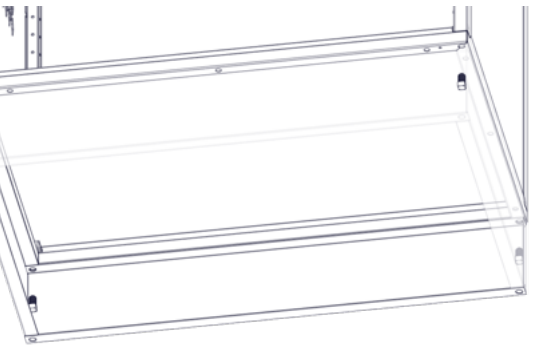
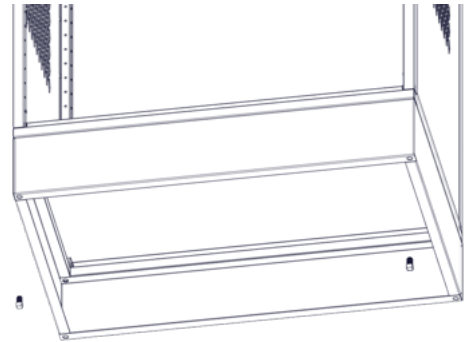
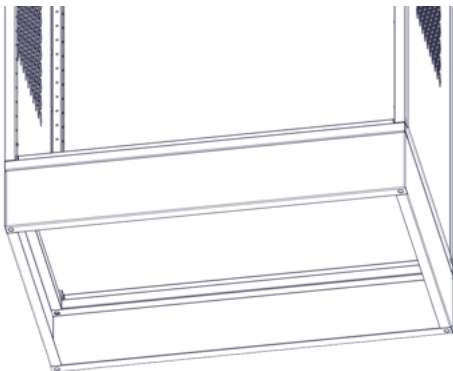
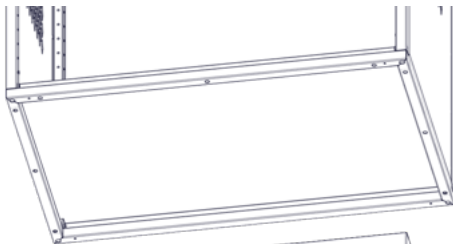
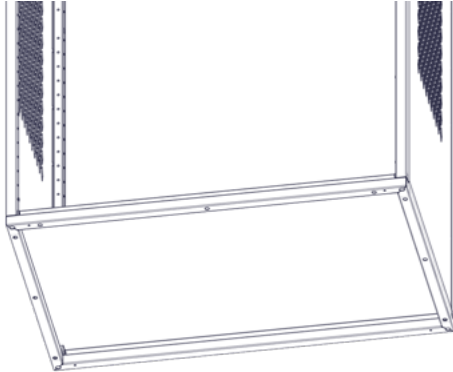
You will need these tools to assemble the accessories into locker. Rivet gun, drill with #3 Philips bit, (note multiple bit lengths may be required short and long to be able to reach installation locations.) flat blade and Philips head screwdrivers, stepladder, tape Measure, awl, safety glasses, gloves, rubber mallet.

**Table of Contents**

- Step 1.....Channel Base Installation
- Step 2.. .....Shelf Installation
- Step 3.....Security Box Installation
- Step 4.....L Shelf Installation
- Step 5.....Center Partition Installation
- Step 6..... Side shelf Installation
- Step 7.....Inner Compartment Installation
- Step 8.....Footlocker Installation
- Step 9.....Metal Seat Installation
- Step 10.....Wooden Bench Installation
- Step 11.....Document Sleeve Installation
- Step 12.....Cell Tray Installation
- Step 13.....Feet Installation
- Step 14.....6” Drawer Installation
- Step 15.....12” Side by Side Drawer Installation
- Step 16.....Coat Rod Installation
- Step 17 .....Garment Separator Installation
- Step 18.....Front Cover Channel Installation
- Step 19 .....Door Installation

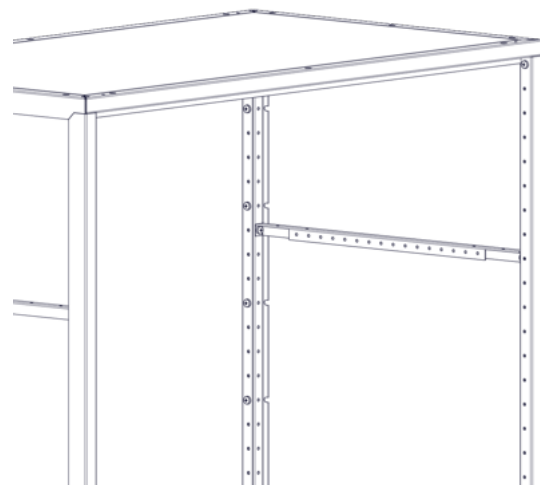
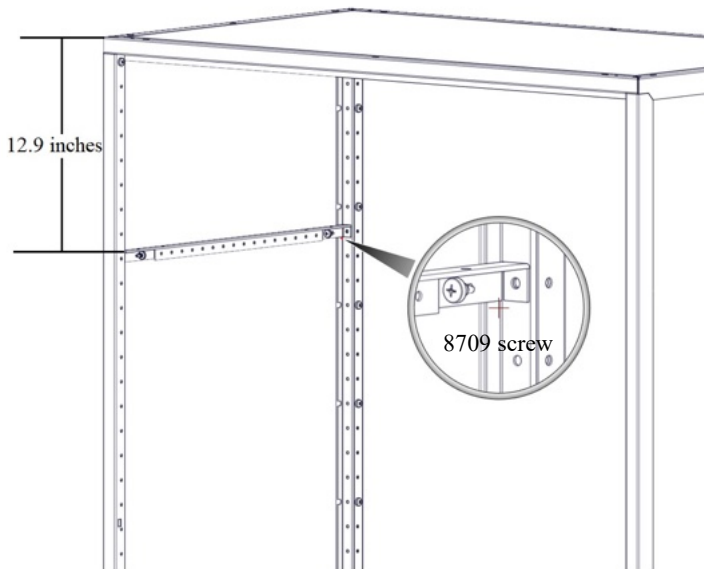
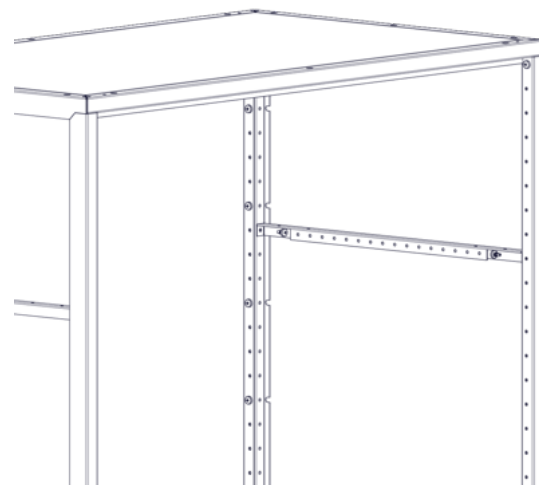
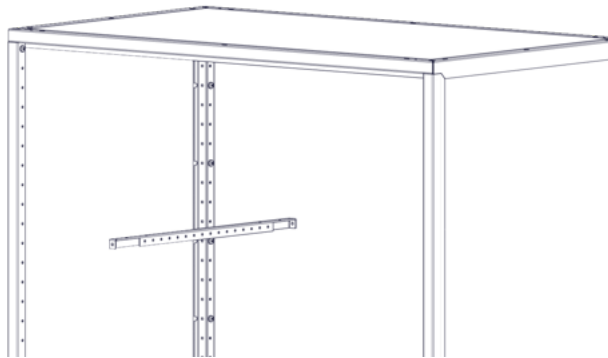
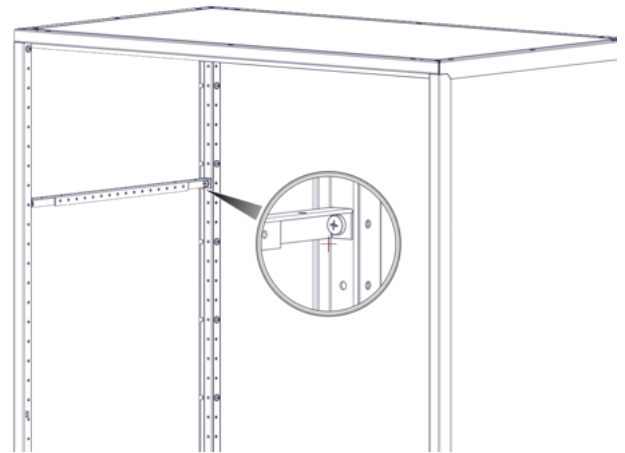
### Channel Base Installation

Step-1A- Install channel base by aligning it in the proper location and adding four bolts (6FFCBBOLT) one in each corner.



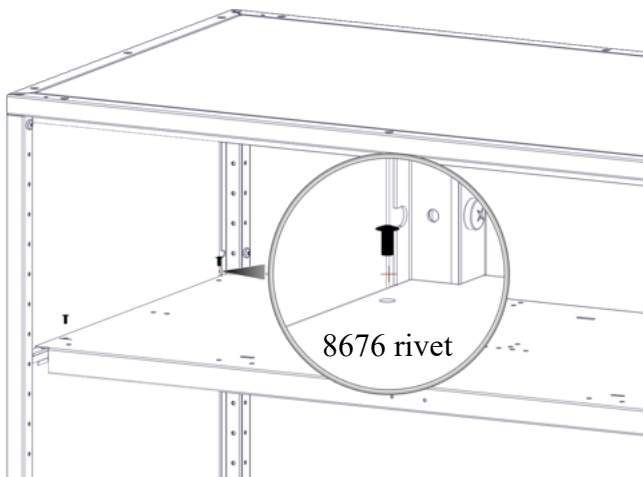
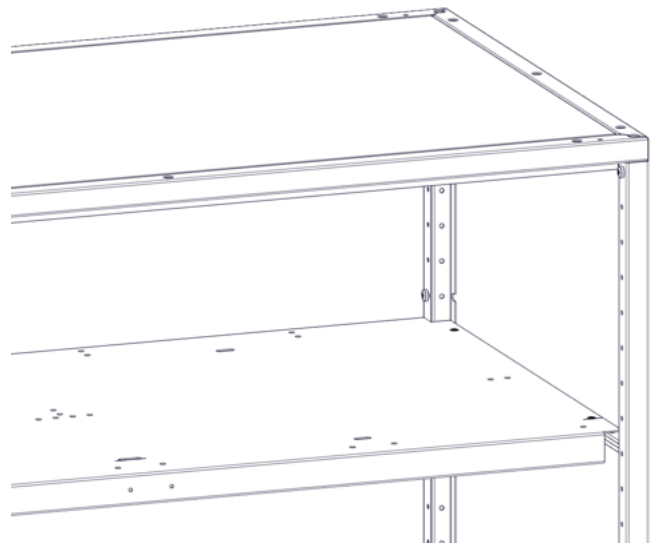
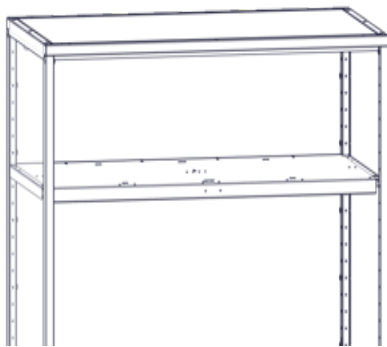
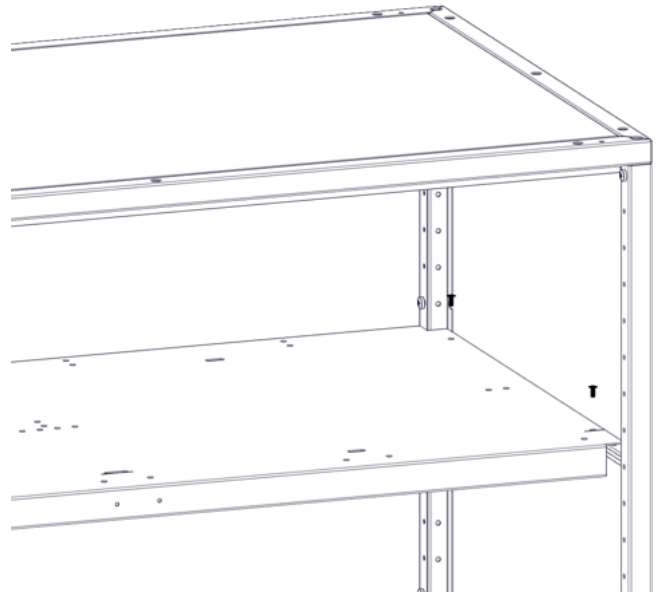
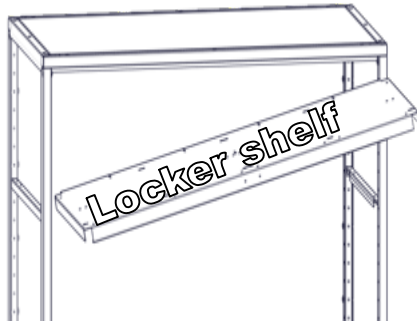
**Shelf Installation**

Step-2A Install mounting rails for shelf using one 8709 screw in the front upright and back upright. Multiple hole side should be installed facing the inside of the locker as shown. Note mounting rails hole position is approximately 13.5 inches from the outside top. The shelf will sit at approximately 13 inches down from the outside top.



Step-2B Insert shelf and attach shelf to rails using one rivet in each corner. Be sure shelf position is completely to the back of the locker before riveting. Number plate holes should be facing locker opening.

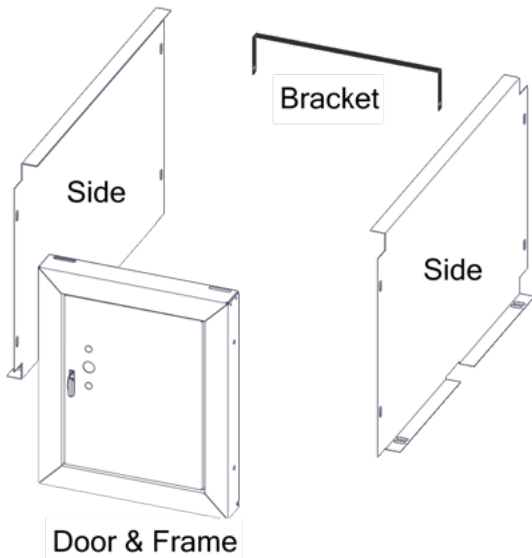
**Note- Do not rivet shelf to the support rails until after security box installation, as the same holes are used.**



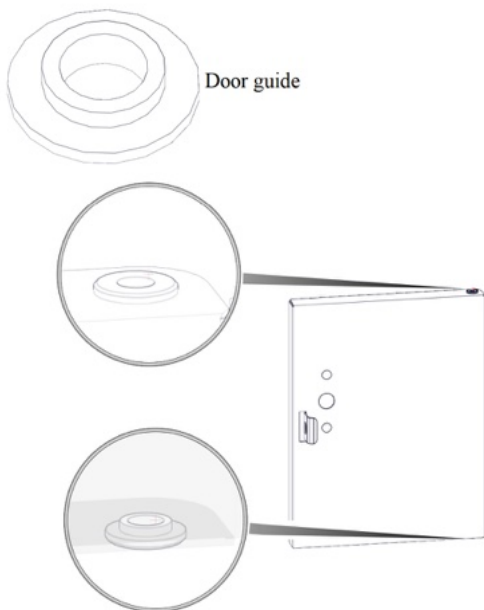
### STEP 3 – Assemble and install optional security box.

Note security boxes can go on right or left side of locker shelf.

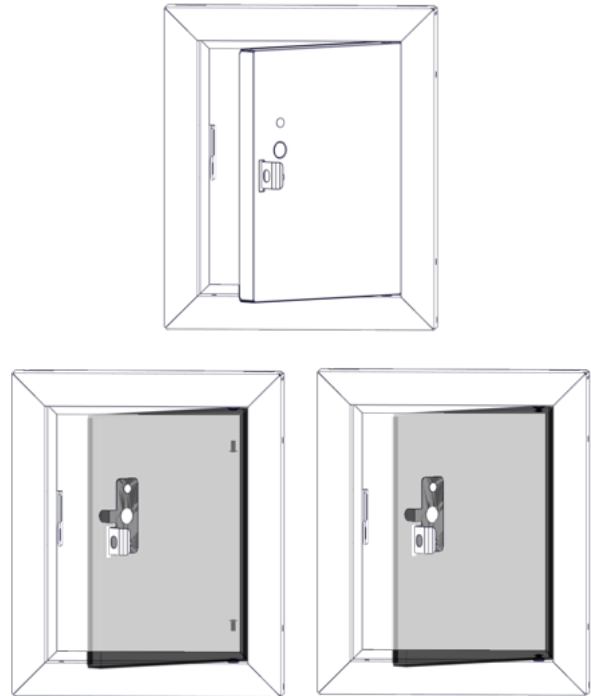
Parts:



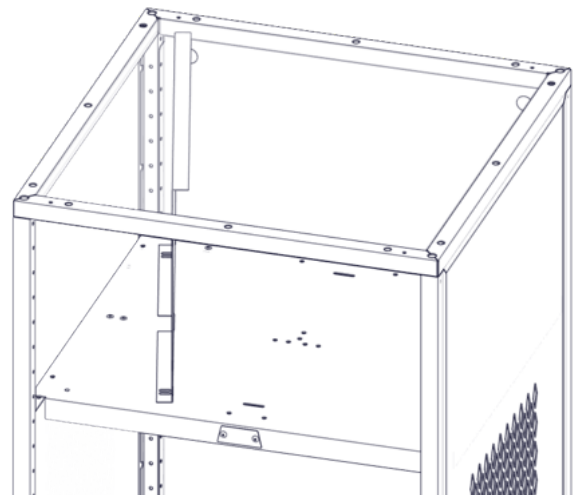
Step-3A Install door into frame with door guides as shown on the top and bottom of the door. Hold door guide in on the bottom until placed into the doorframe.

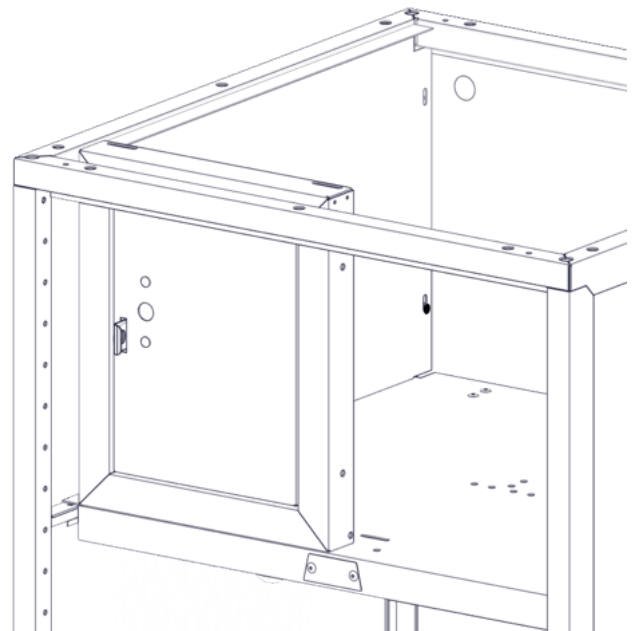
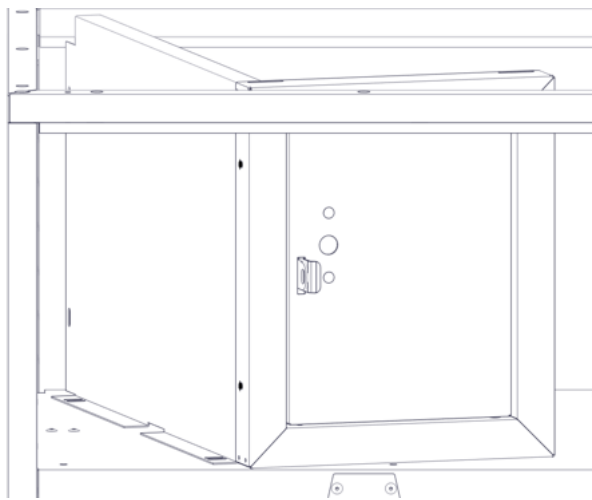
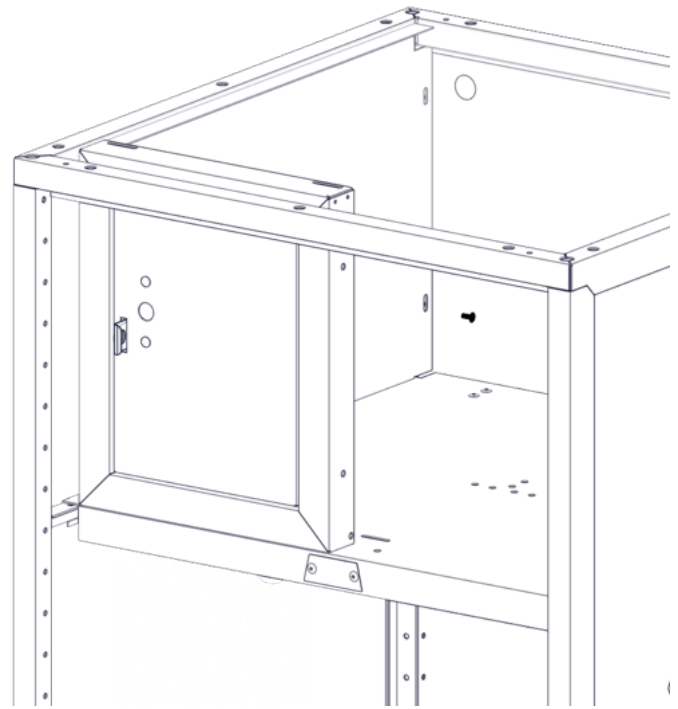
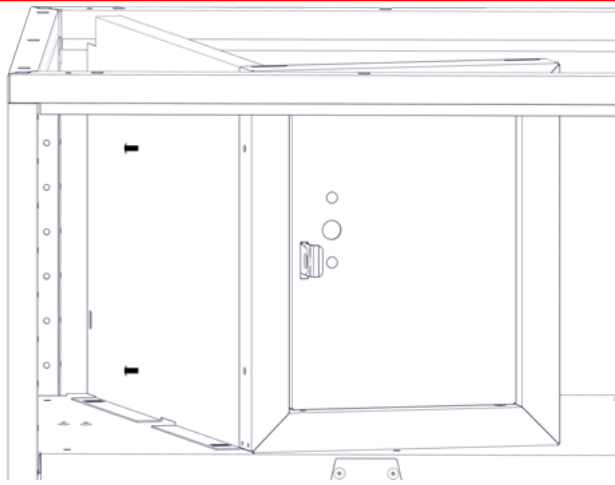


Step-3B Insert the 8676 rivets into the door guides in the top and bottom of door and into doorframe locking the door in place.

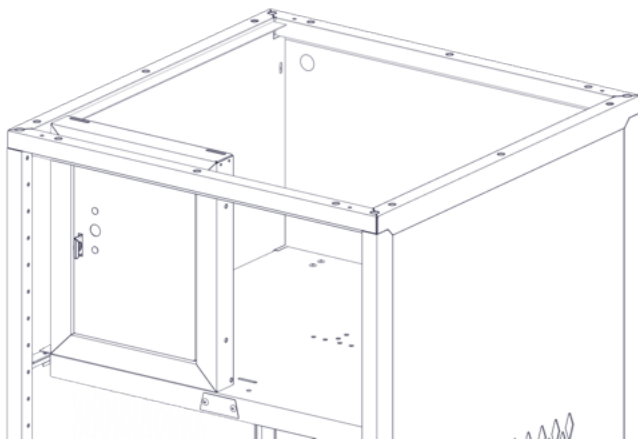


Step-3C Place security box side on top of the shelf at an angle as shown to allow attachment to door and frame. Attach to the frame using two 8676 rivets as shown. The side is on the inside of the frame. **Note- This is done inside the locker on the shelf.**

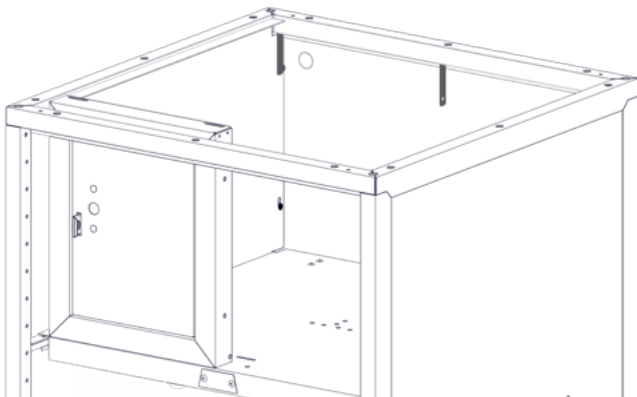
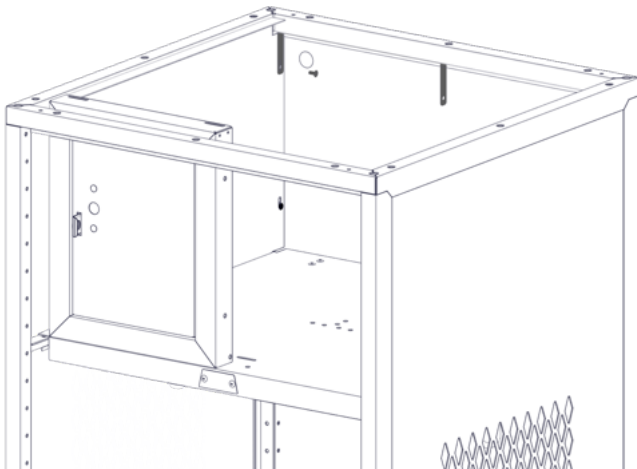
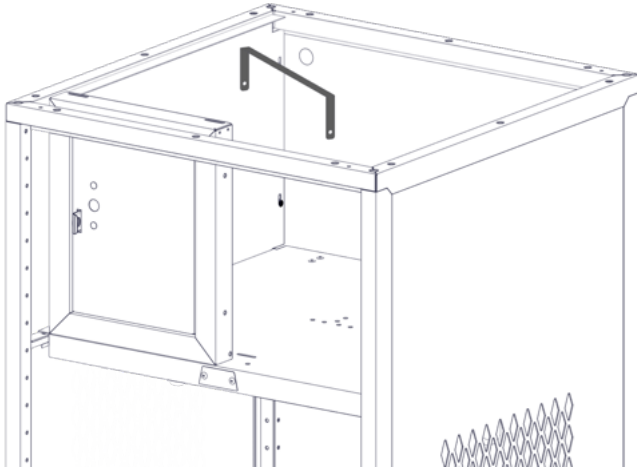




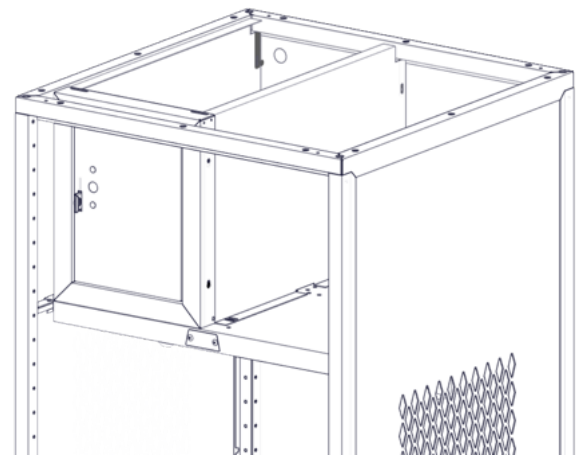
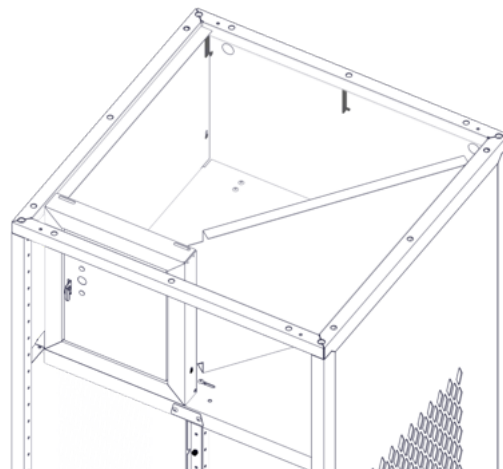
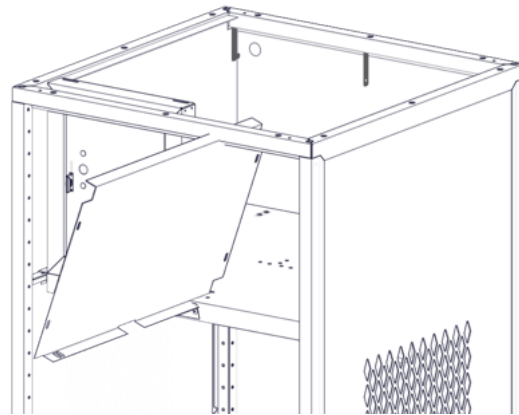
Step-3D Position door/frame and side to proper location and install 8676 rivet into bottom slot of side and into vertical frame.

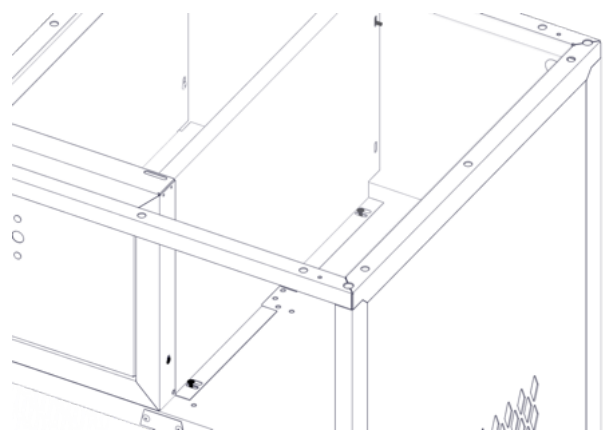
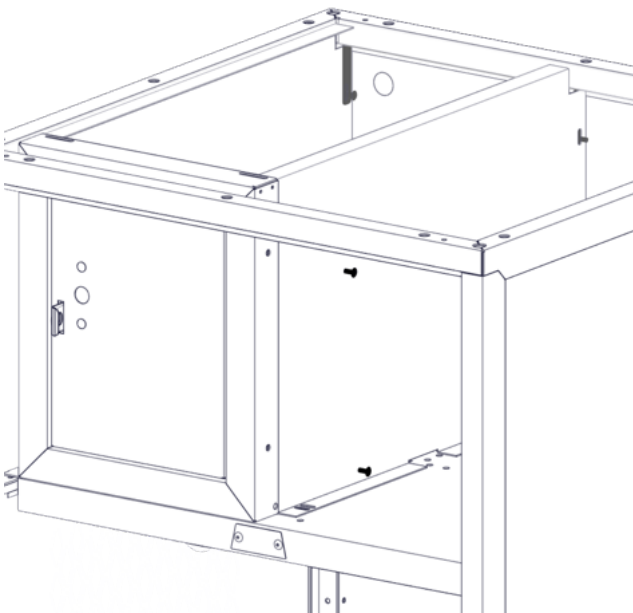
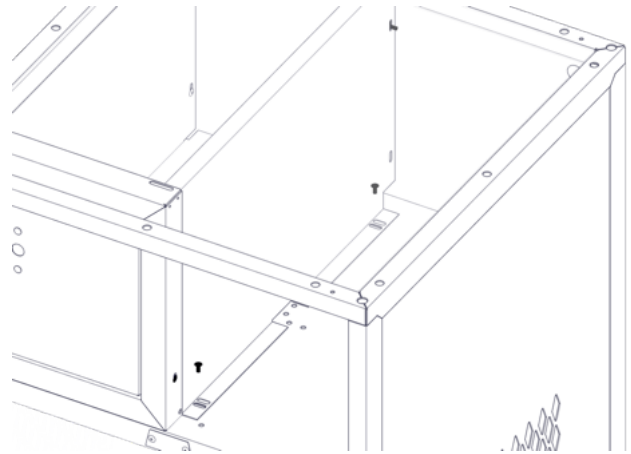
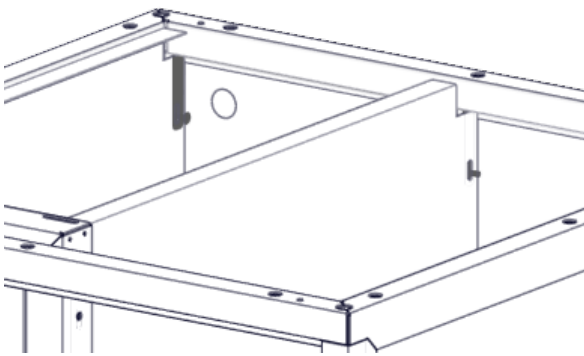
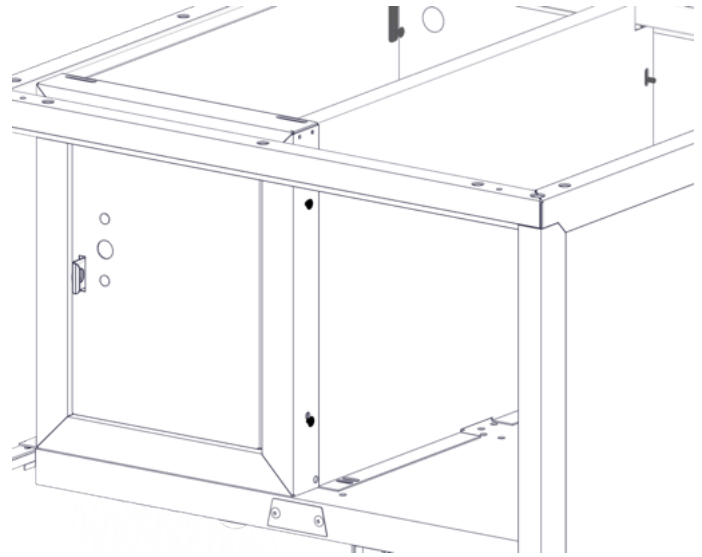
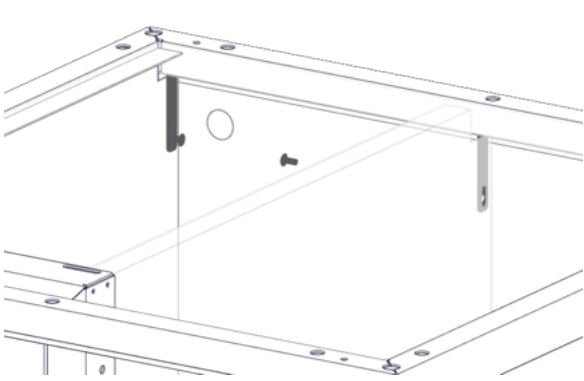


Step-3E Install rear bracket and install with 8676 rivet as shown.

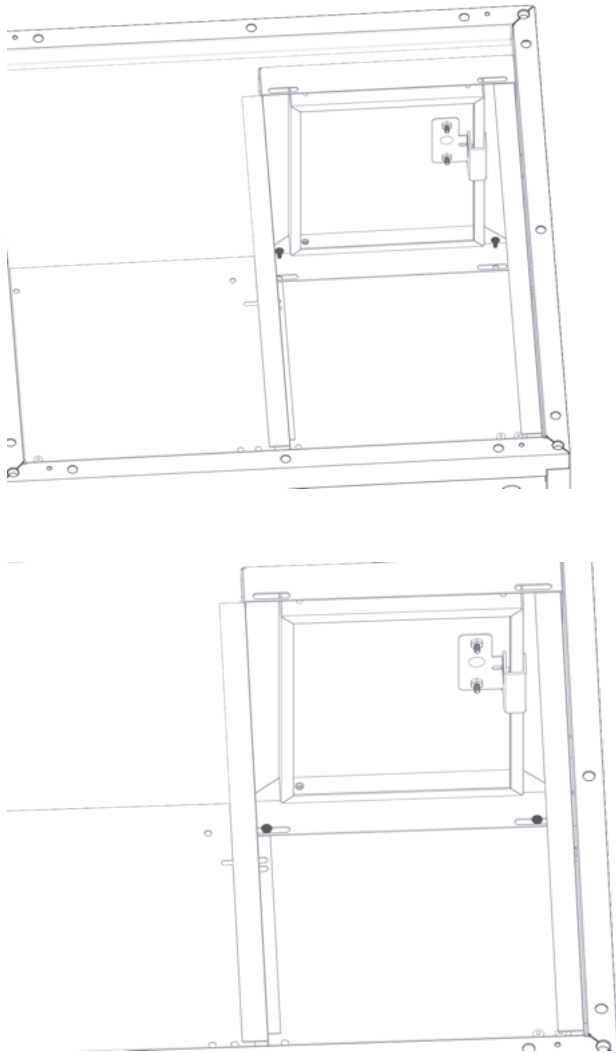


Step-3F Install second side with five 8676 rivets as shown. The locker side is on the inside of the frame.  
**Note-If installing an L shelf do not rivet holes on the second security box side though the shelf, as the L shelf shares those holes.**

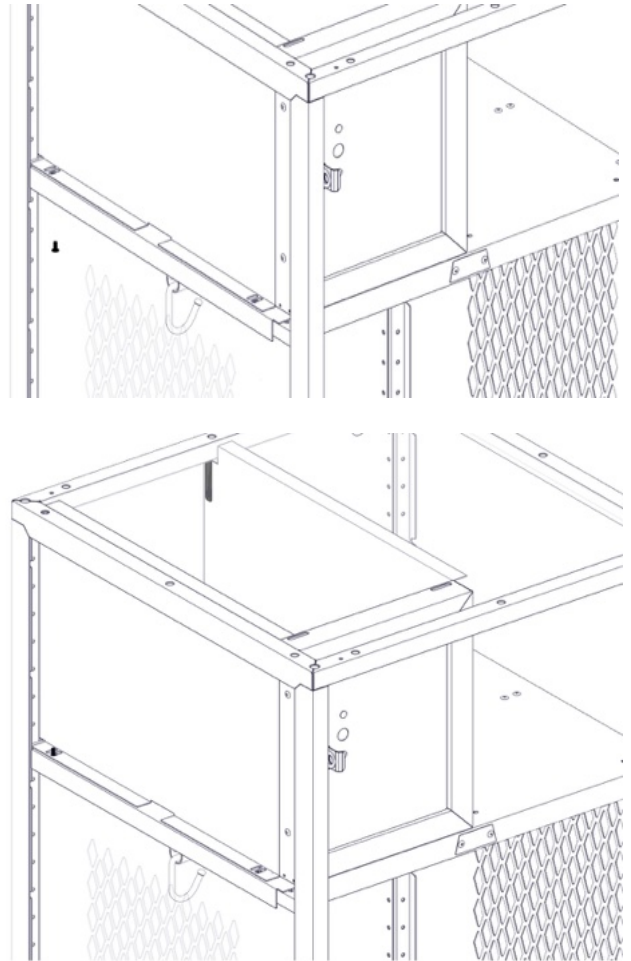




Step-3G Anchor door and frame to shelf using two 8676 rivets as shown.



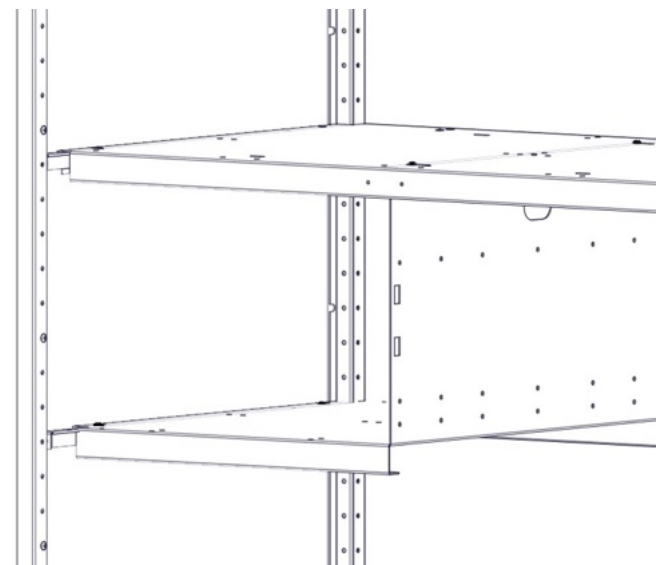
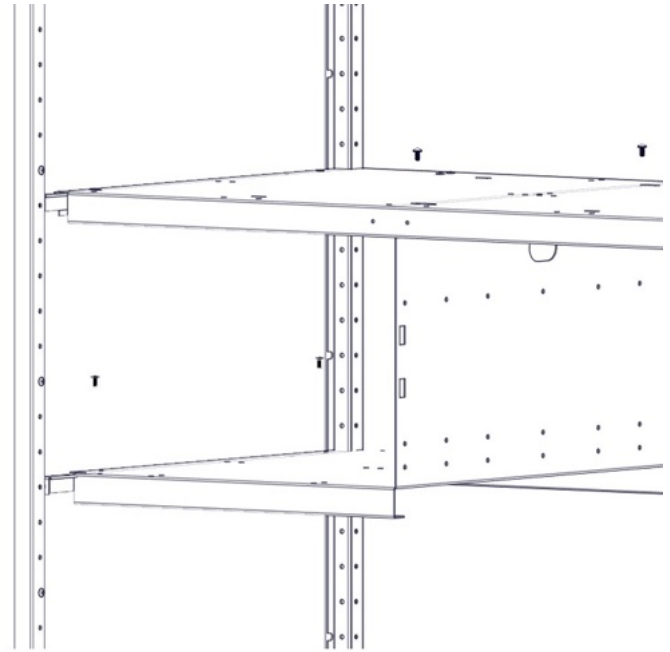
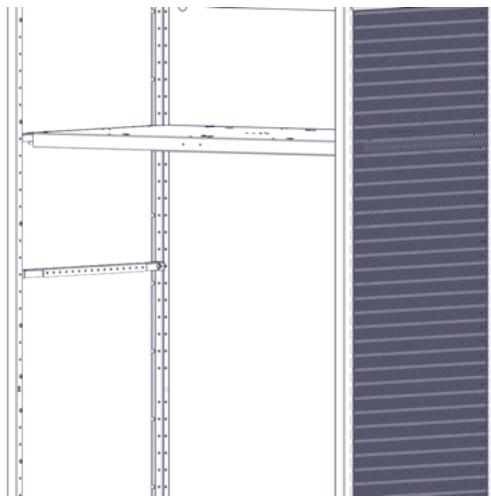
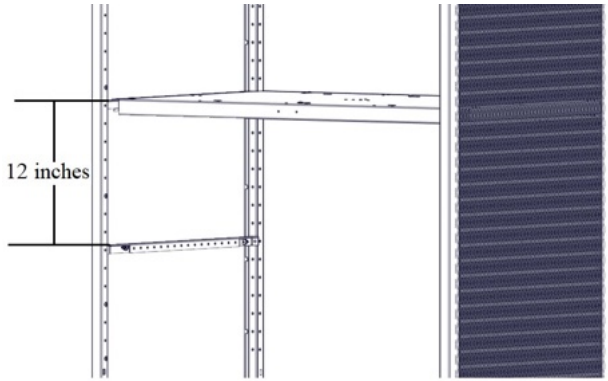
Step-3H- (Optional) Place 8676 rivet into the first side as shown.



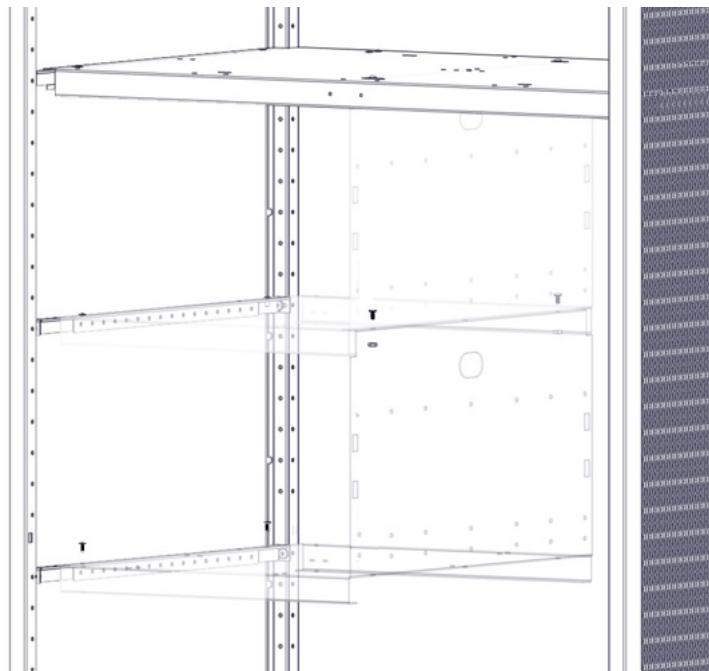
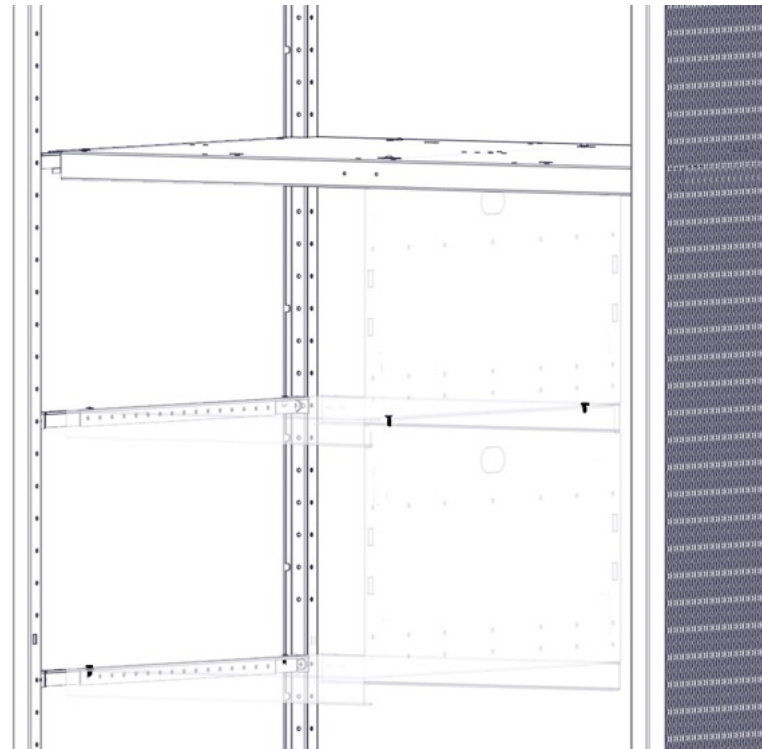
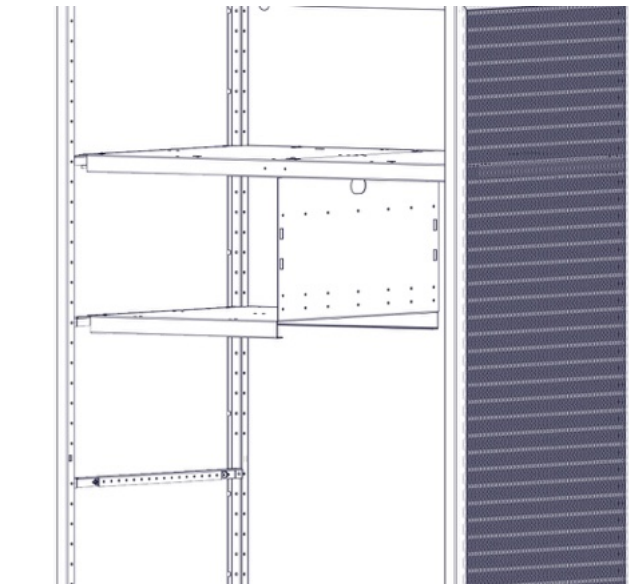
**Installing an L shelf.**

Step-4A install L shelf support rail at the proper height (12 inches down from shelf) using one 8709 screw into each vertical upright.

Step-4B Place L shelf on top of support rail and locate on shelf above and insert four 8676 rivets to hold in proper location.

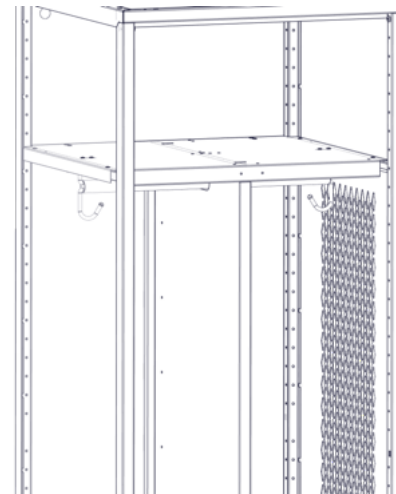
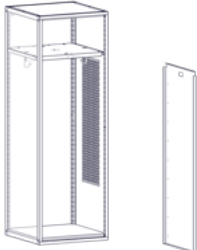


Repeat this process again for additional shelves.

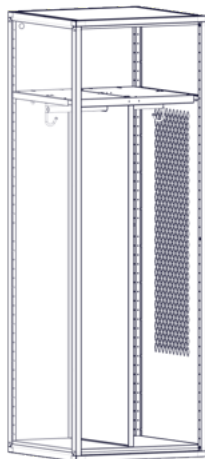
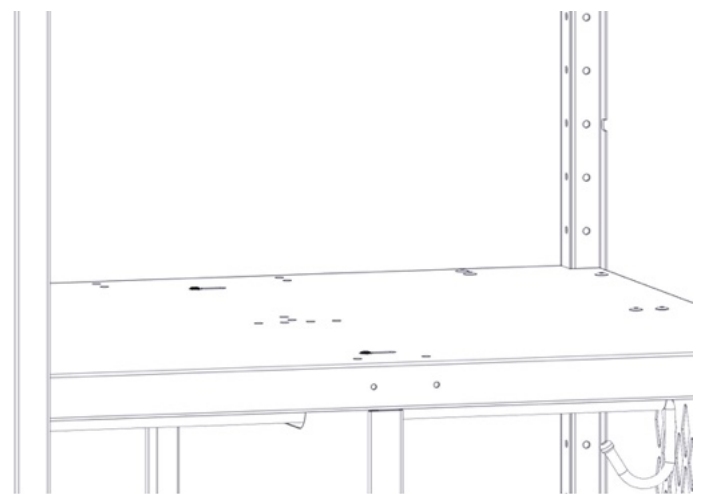
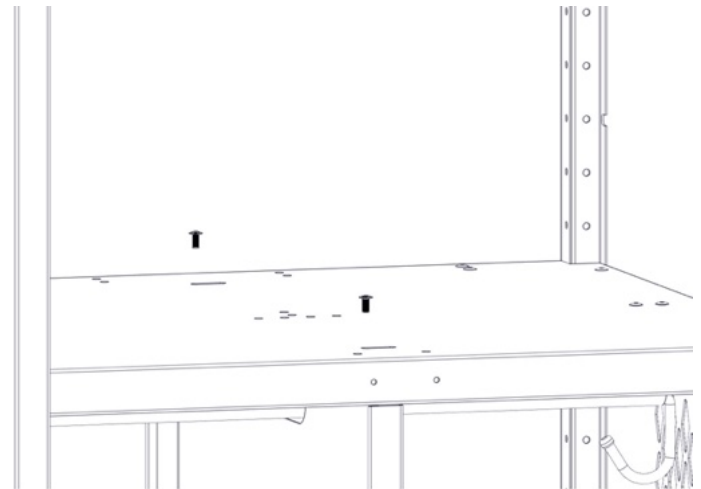
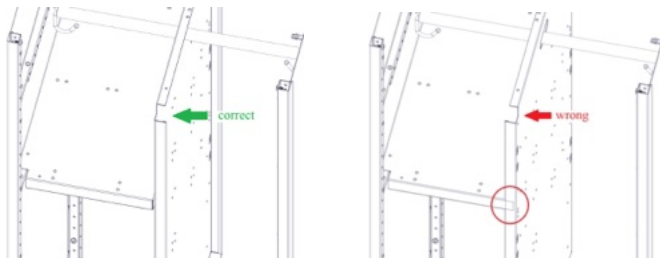


### Install center partition

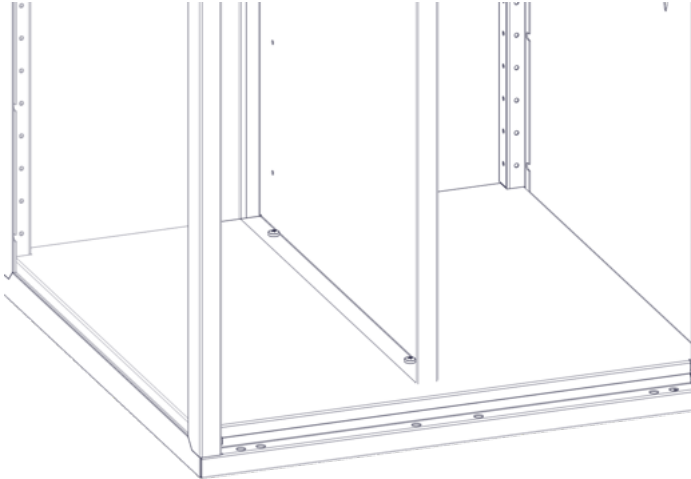
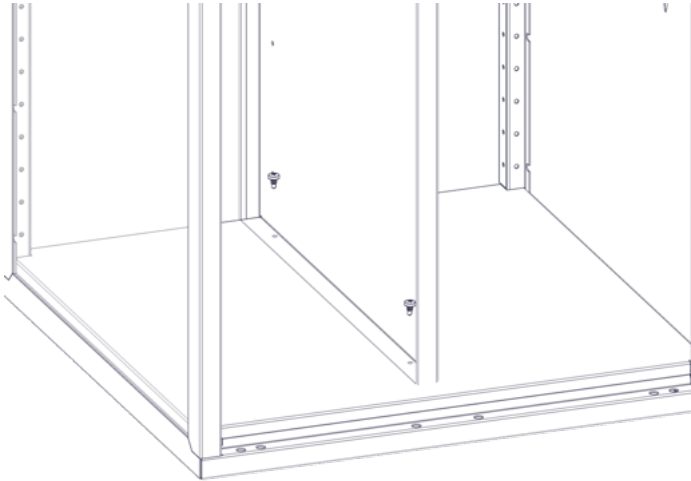
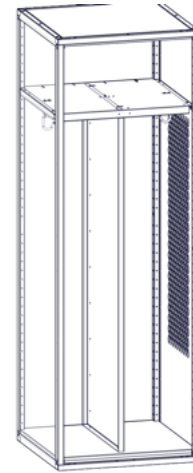
Step-5A Remove full width coat rod, if installed, from one side to allow coat rod to go through center partition hole.



Step-5B Place center partition in correct location under the shelf, install the required rivets or nut, and bolt into slotted cutout. Note if optional half shelves are used, the slotted cutouts allow for adjustment for right or left hand installation and half shelves should be installed before tightening nuts and bolts or riveting center partition. **If side shelves are used the center partition needs to be in the correct orientation for installation. Flat side of center partition goes with side shelves.**



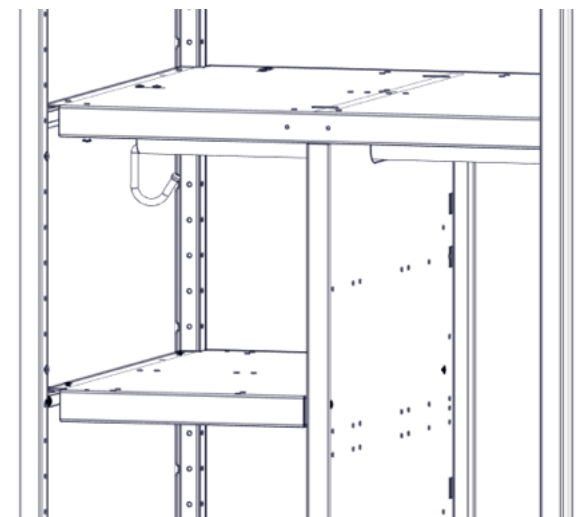
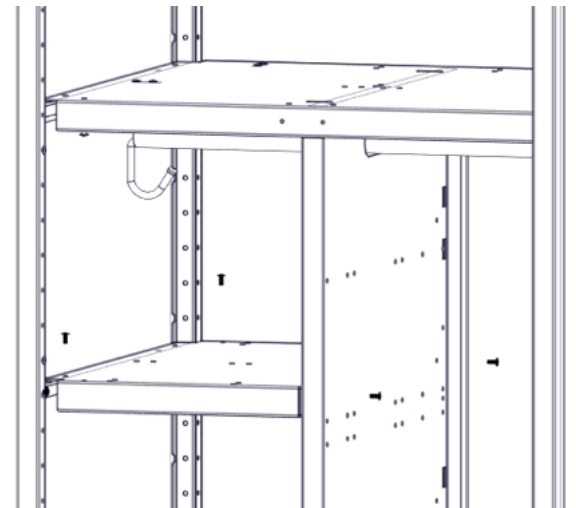
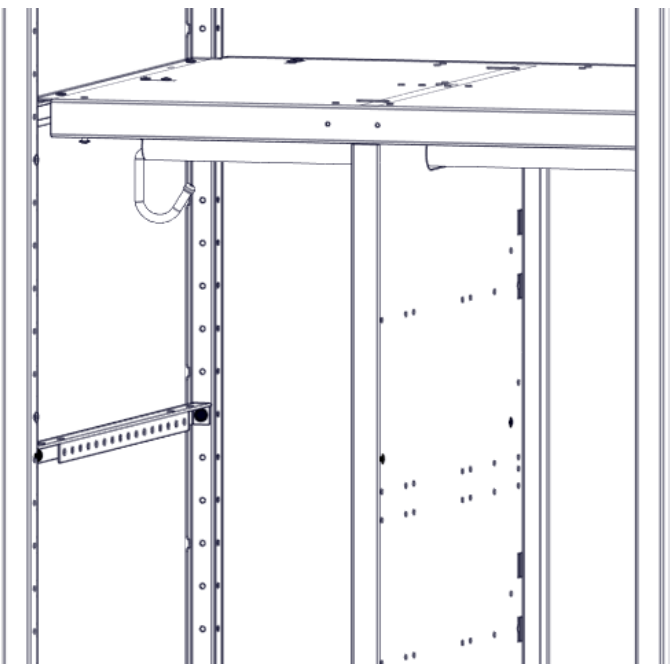
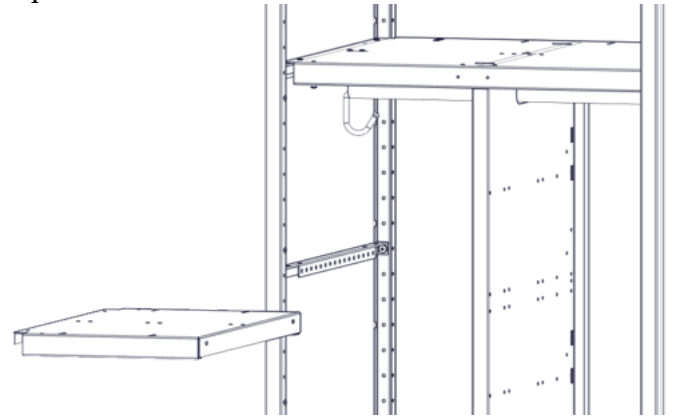
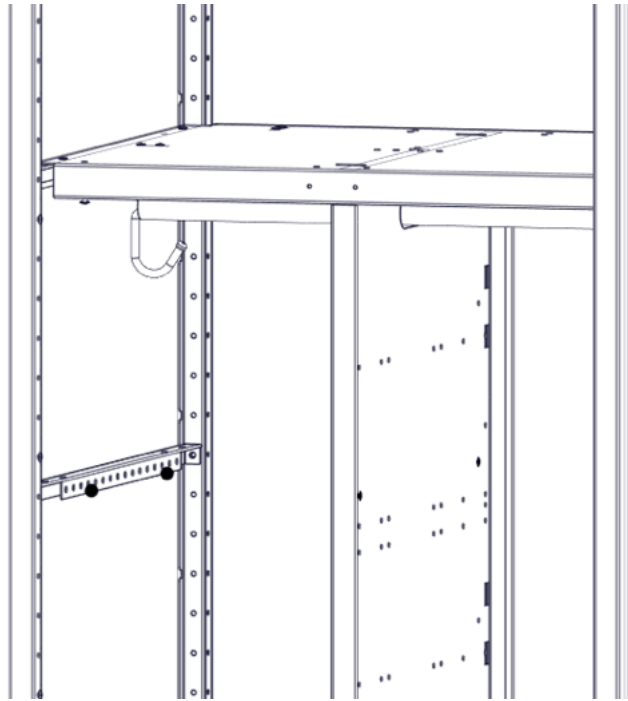
Step-5C Align bottom of partition in correct location on lower shelf or bottom. If a lower shelf is used, install with rivets or nut and bolt. If no lower shelf is used then install with self-tapping screws. (There are no guide holes on locker bottoms.)



**Installing a Side shelf.**

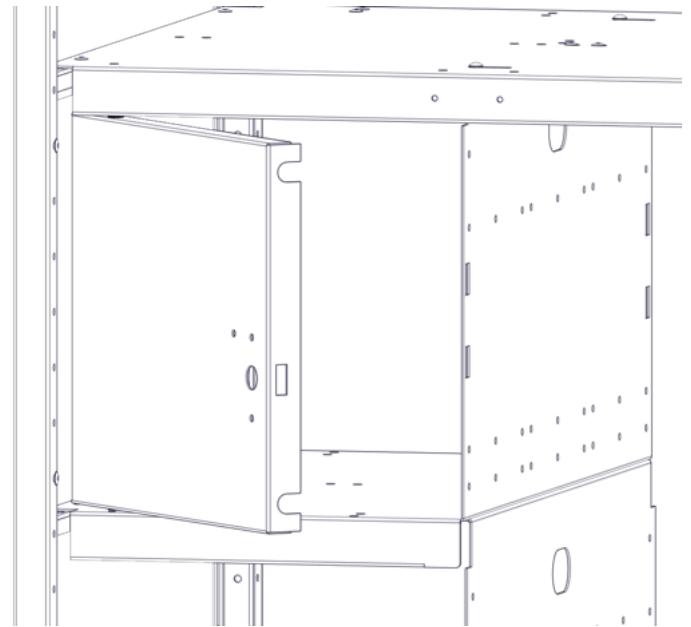
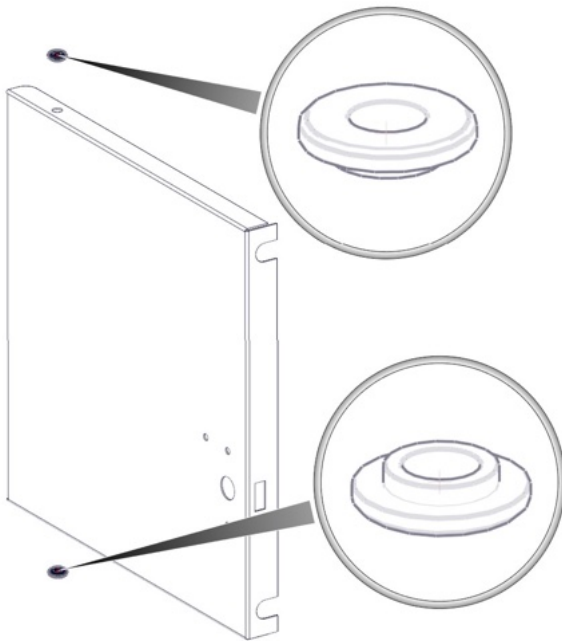
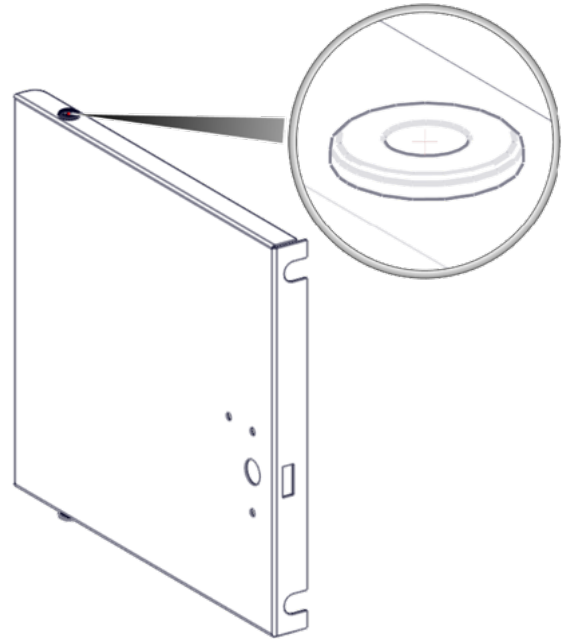
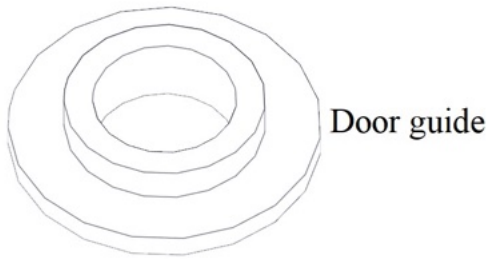
Step-6A Install side shelf support rail at the proper height location using one screw into each vertical upright. Holes on center partition are at 6" intervals.

Step-6B Place side shelf on top of support rail, locate on shelf above, and insert four 8676 rivets to hold in proper location.



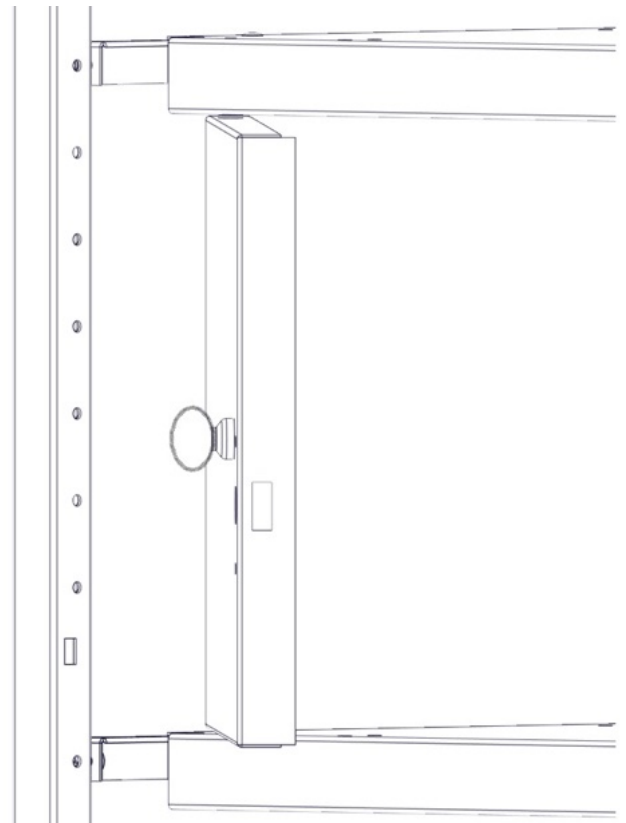
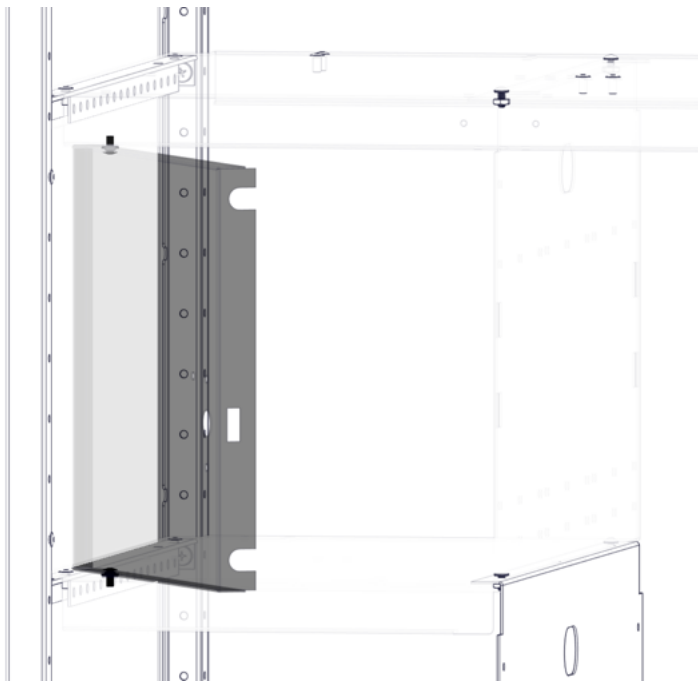
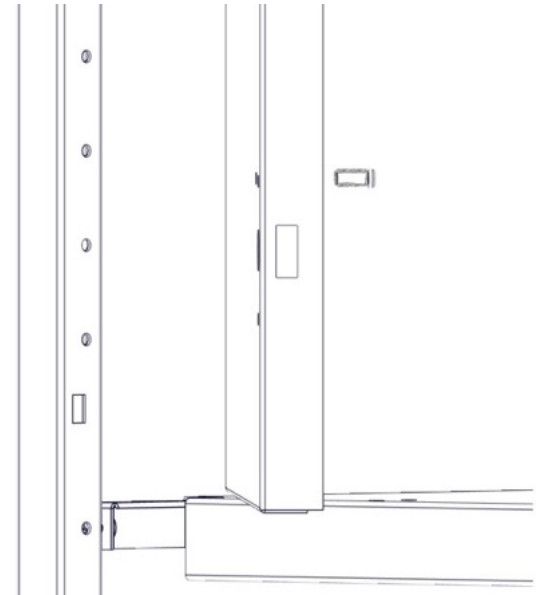
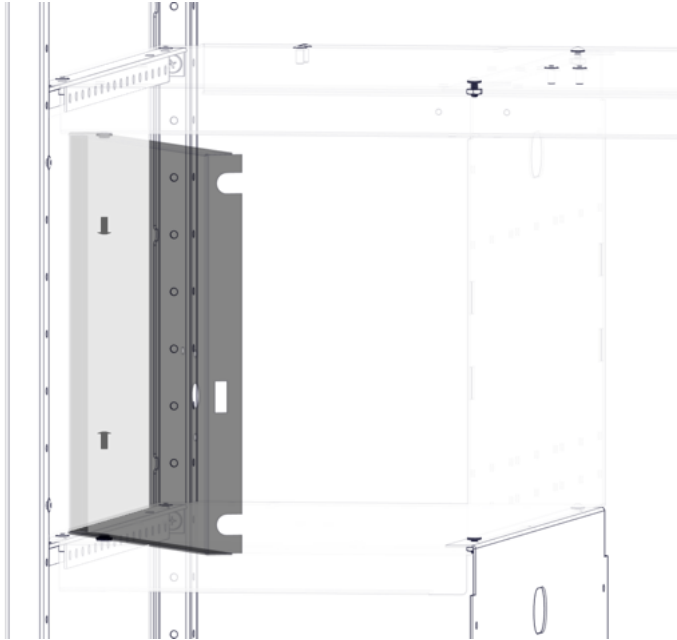
**Installation of Inner compartment:**

Step-7A Place door guide in the inner compartment door at the top and bottom. Hold it in place at the bottom until the door is located in the correct position on the L or half shelf.

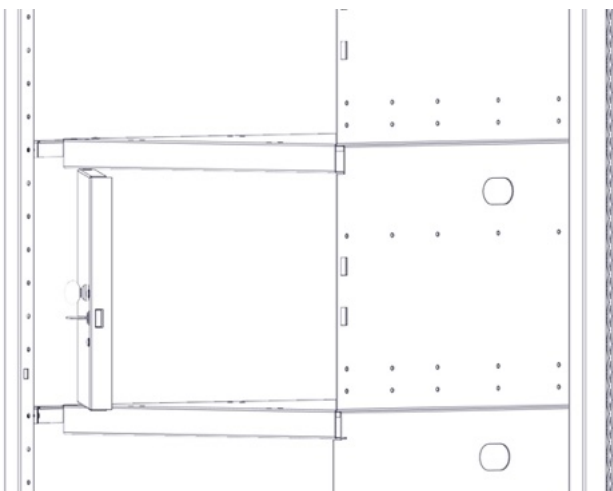
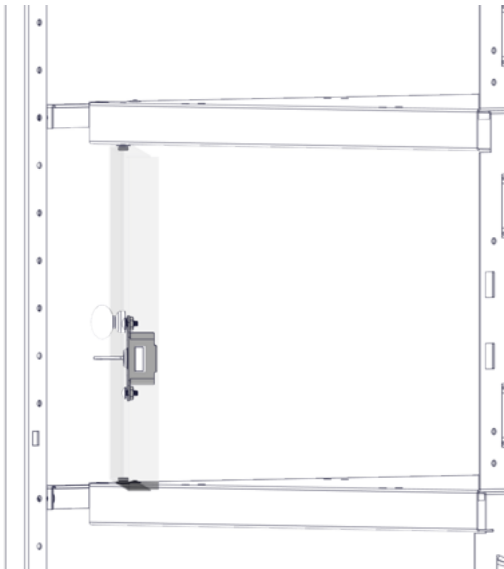
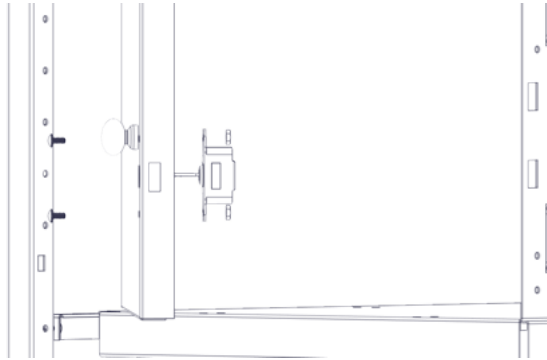


Step-7B Insert the 8676 rivets into the door guides in the top and bottom locking the door in place.

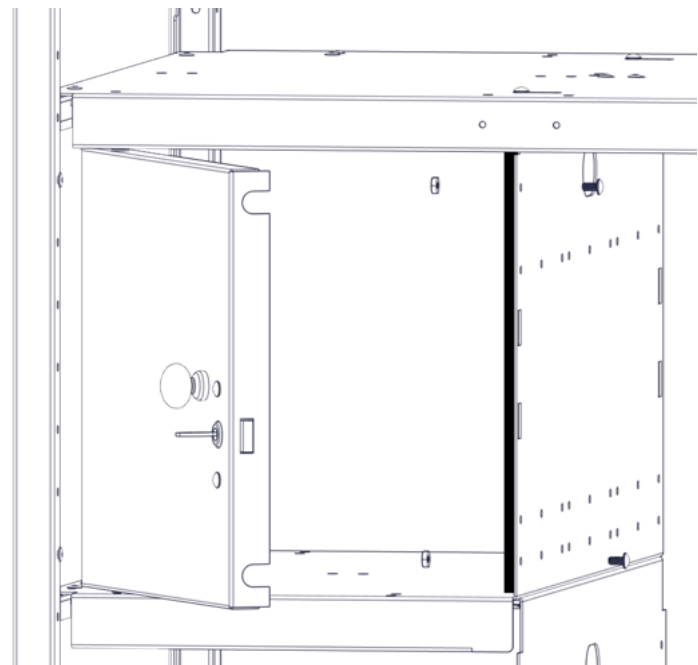
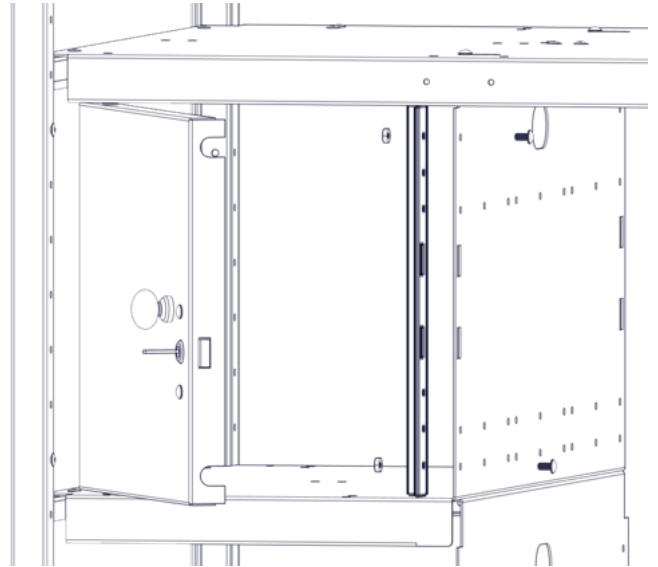
Step-7C Install doorknob with 8702 machine screw on the backside of the door.

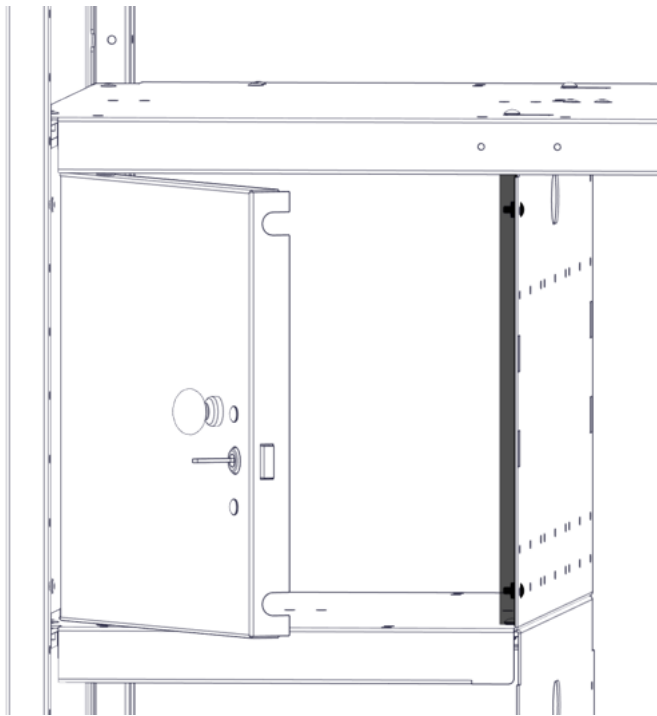
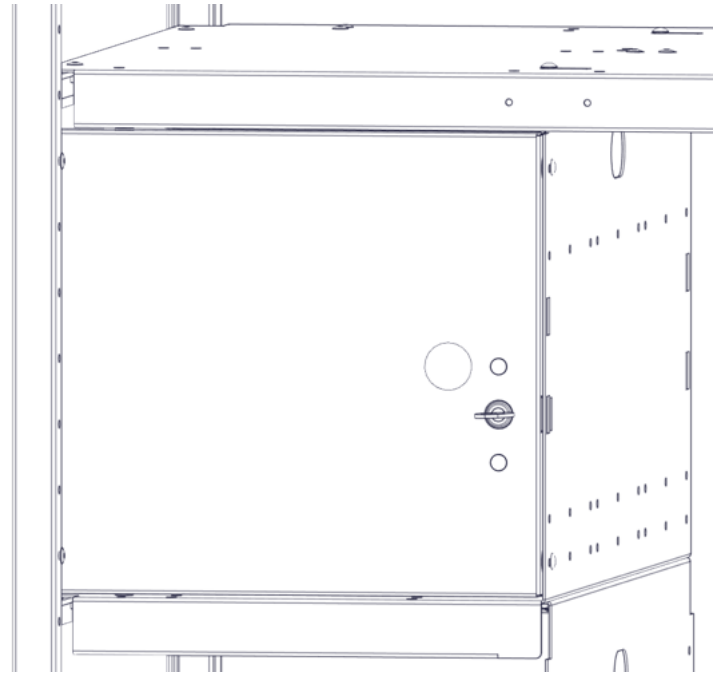
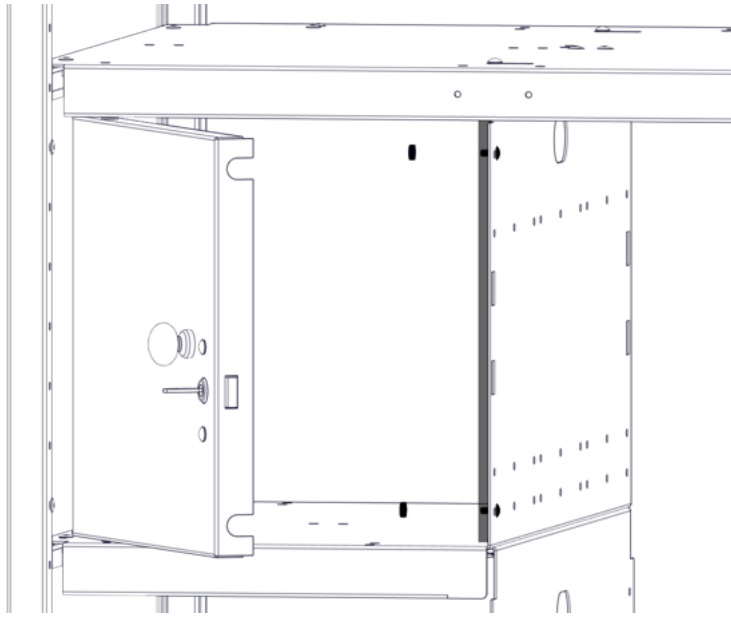


Step-7D Install lock by placing it from the backside of the door with the bolts 8632 entering from the front in the provided holes and install nuts 8672 on each bolt.

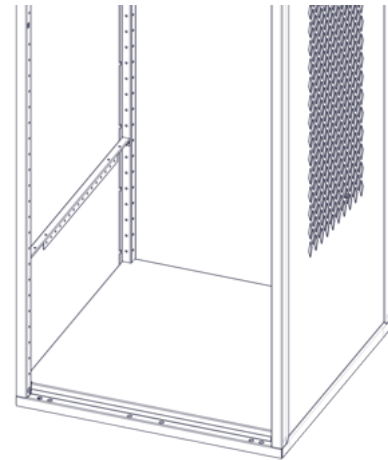
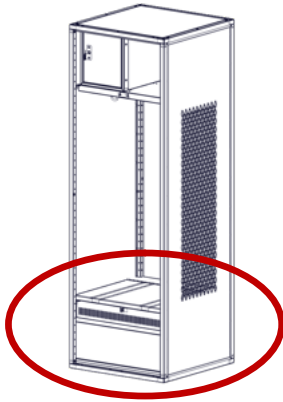


Step-7E Install doorstop angle by placing it in the correct position and inserting 8632 bolt and 7672 nuts to hold it in place as shown.

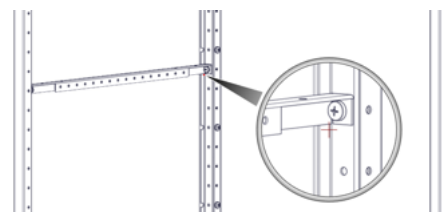
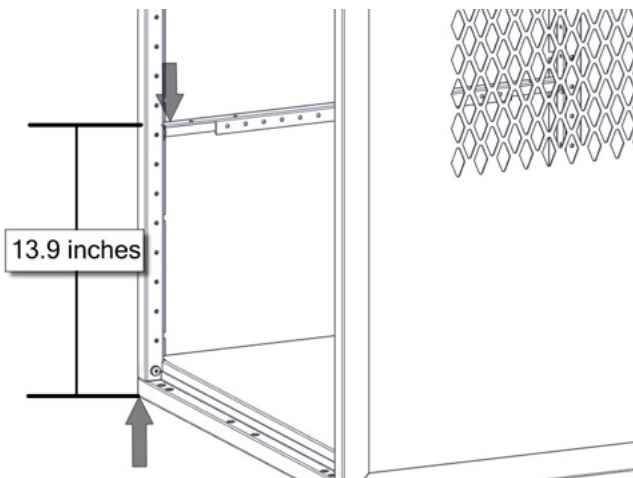
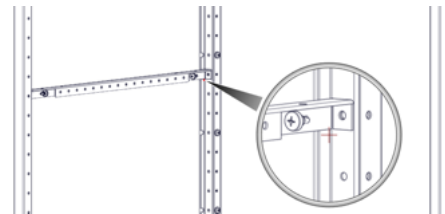




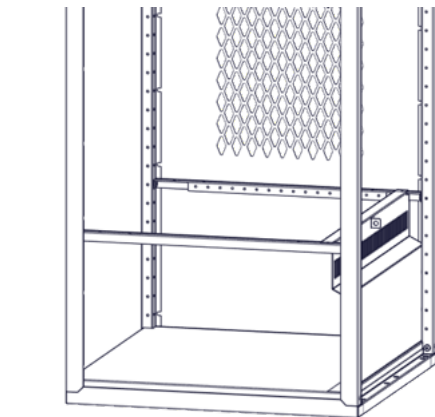
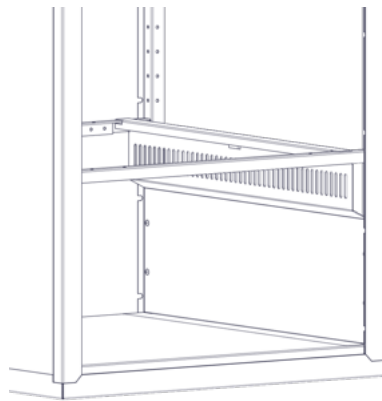
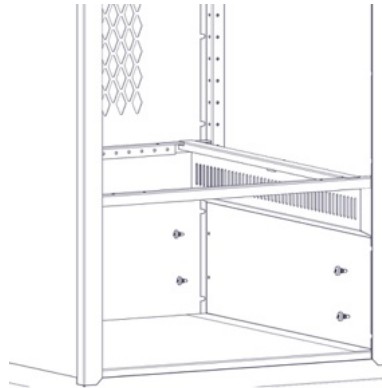
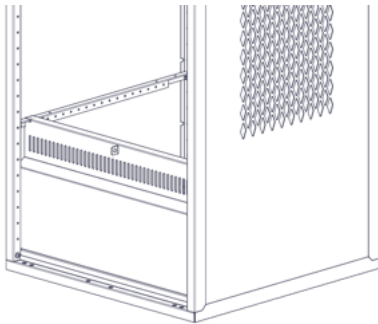
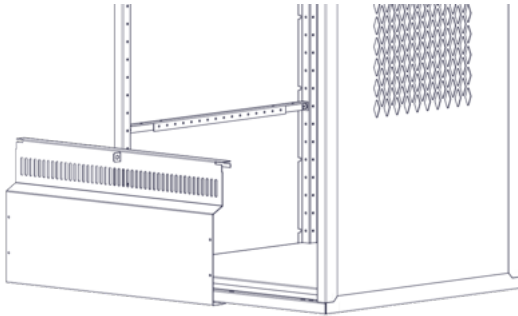
### STEP 8- Install Footlocker



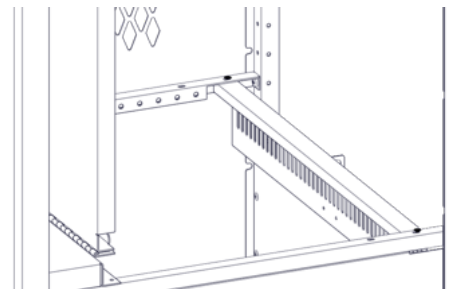
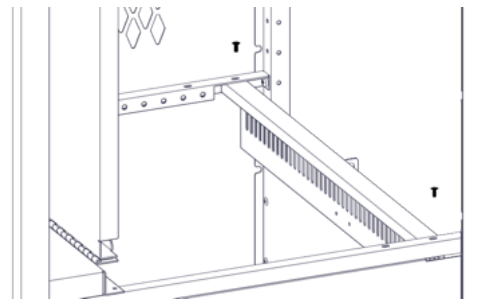
Step-8A- Install the side mounting rails at the proper height locations using one screw in each corner. Rail height for footlocker is 13.9 inches from the outside bottom corner to the top of the rail. Two mounting rails required one on each side.



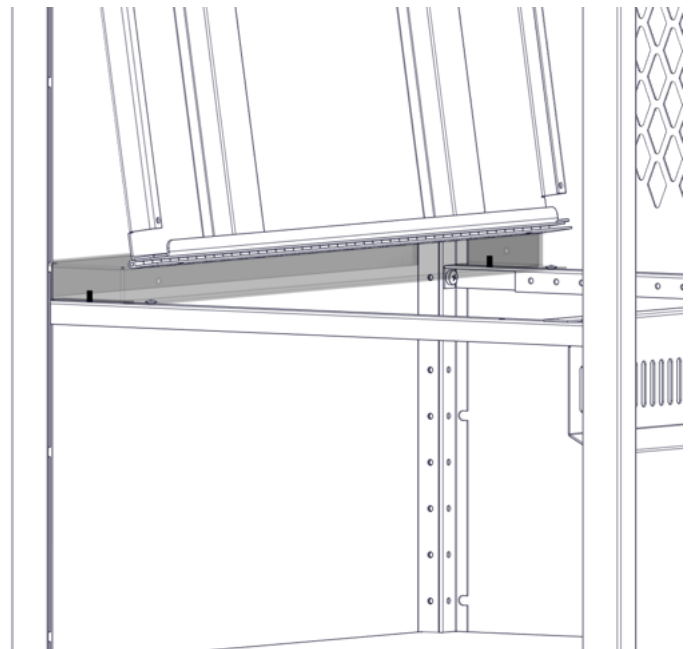
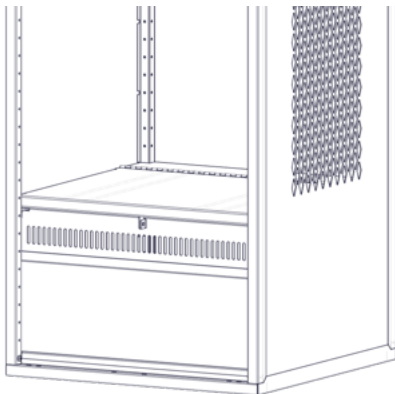
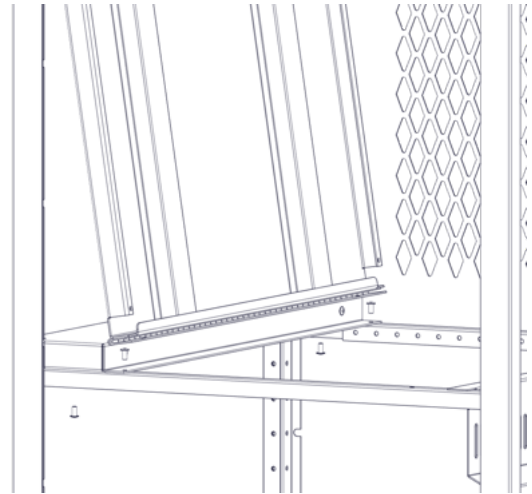
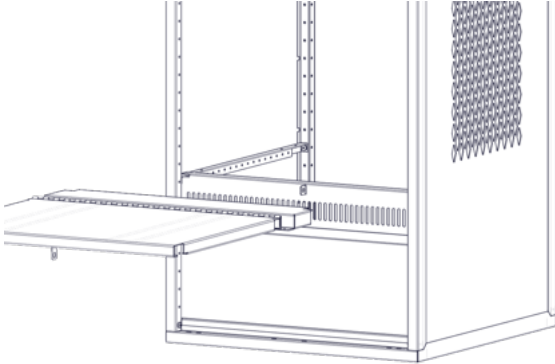
Step-8B- Now install the footlocker front panel by inserting it behind the vertical corner posts and attach using four 8709 screws.

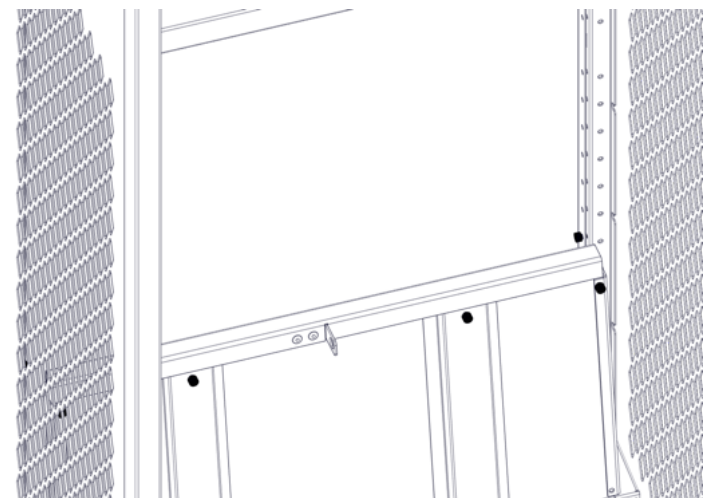
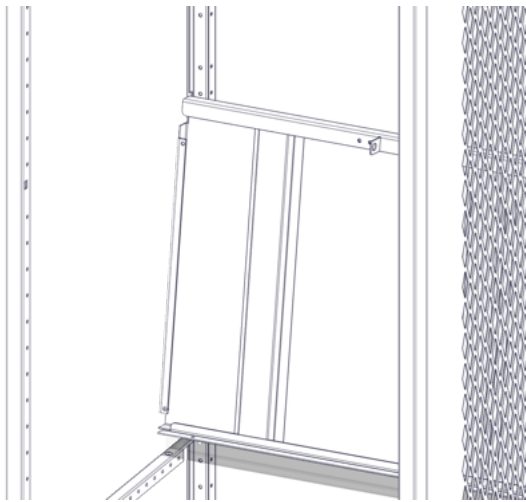
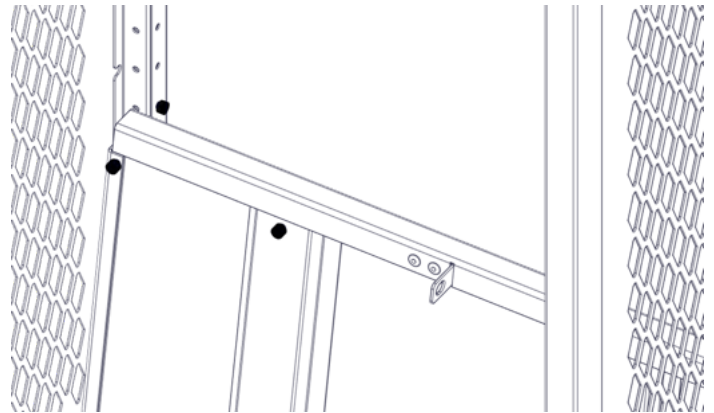
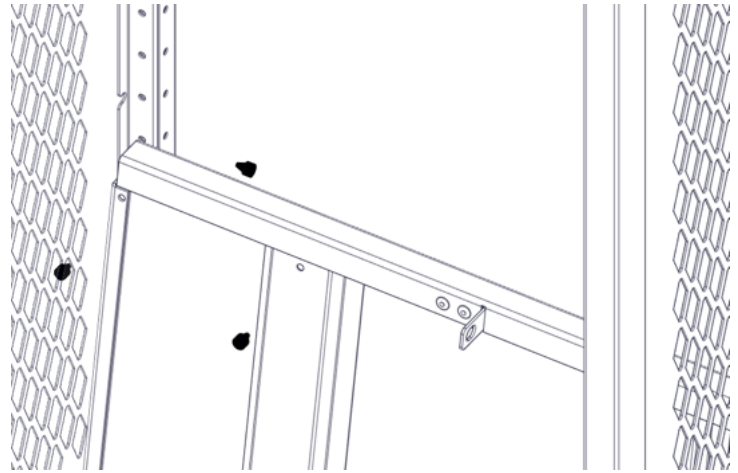
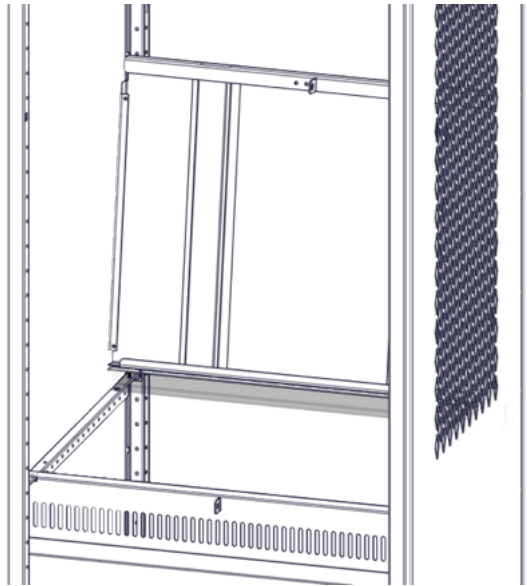


Step-8C- Insert two 8676 rivets through support rails and into front panel as shown.



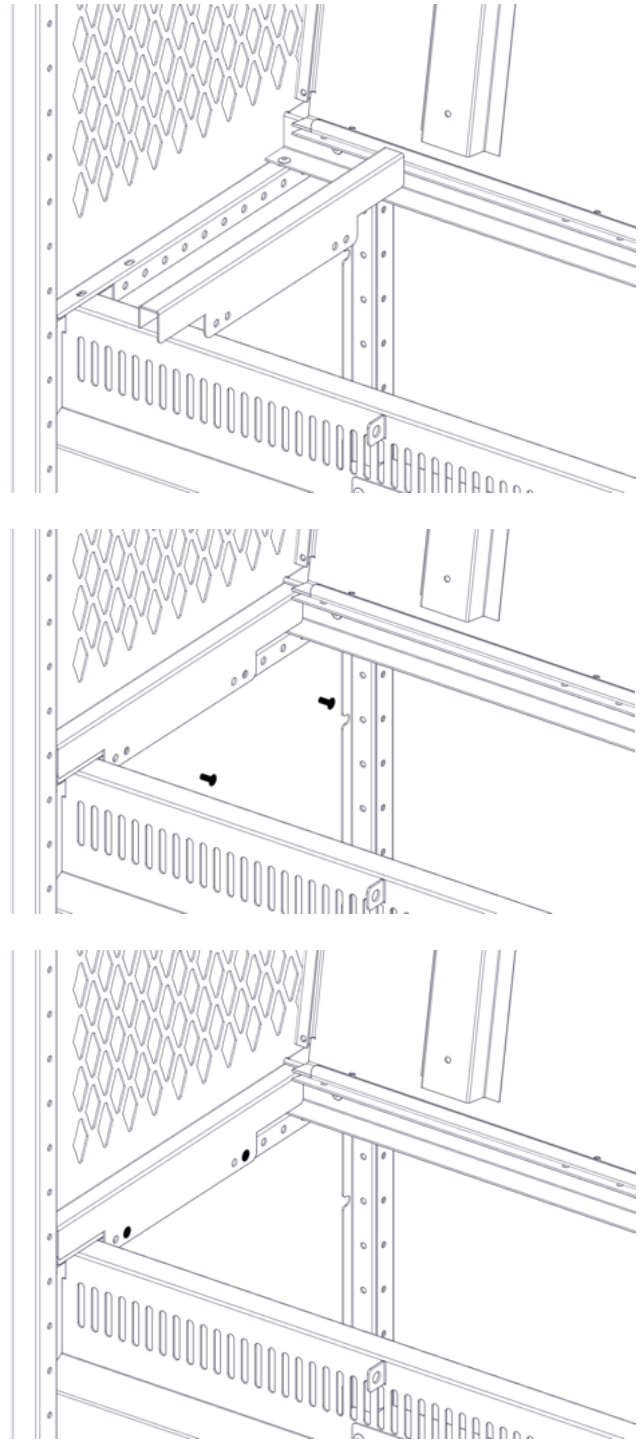
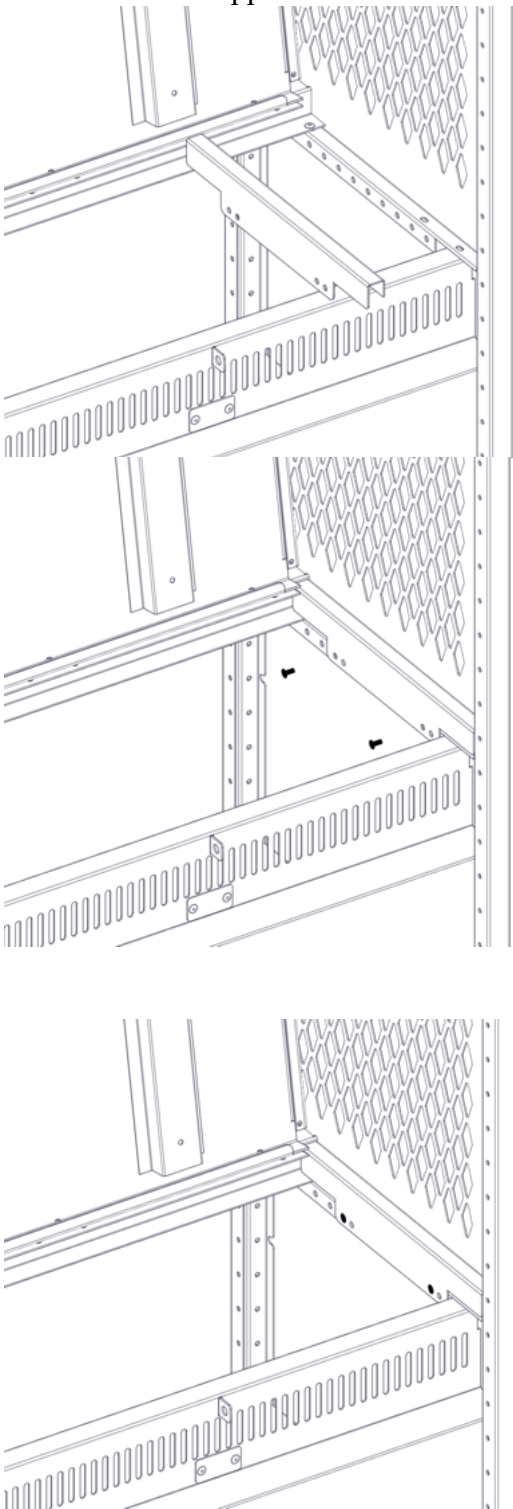
Step-8D- Next install the seat assembly using four rivets into the horizontal rails at the proper locations.





Step-8E- Now install the rubber bumpers on the seat and at proper height on the vertical posts.

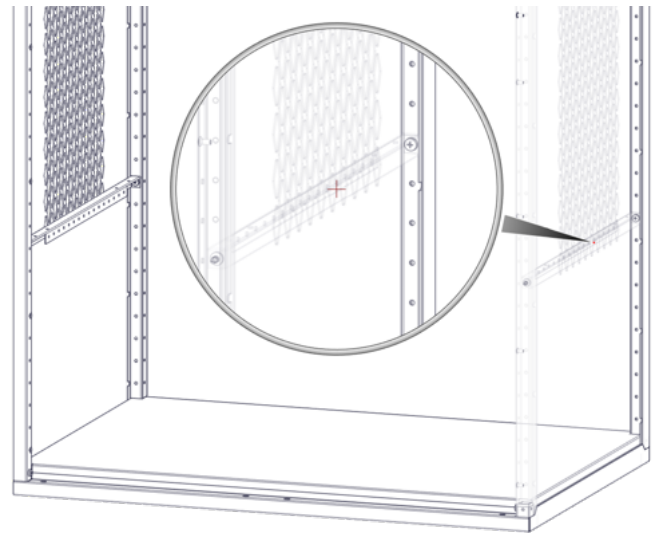
Step-8F- Now install the side channels using 8676 rivets on to the support rails as shown.



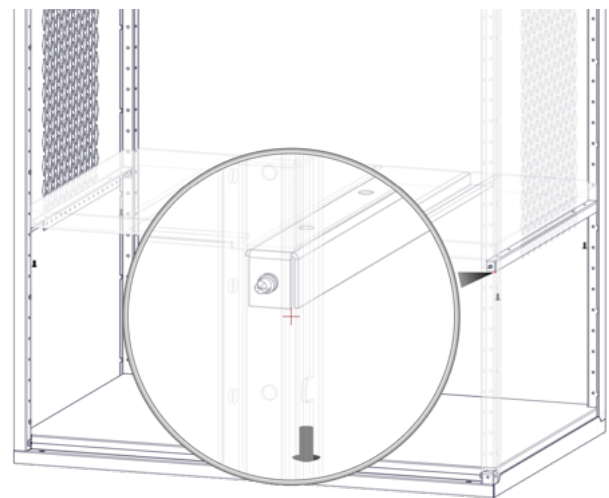
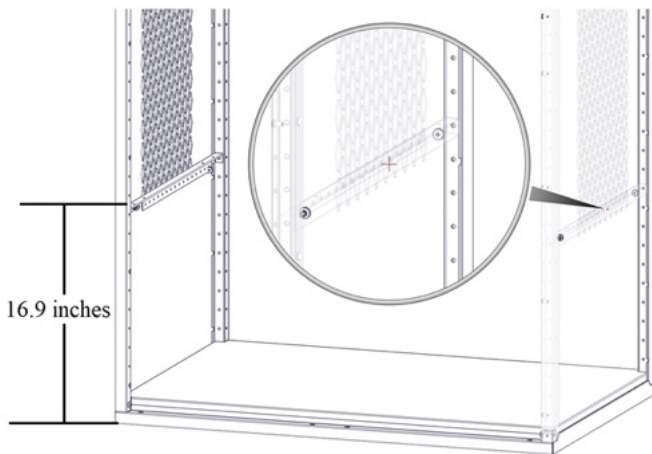
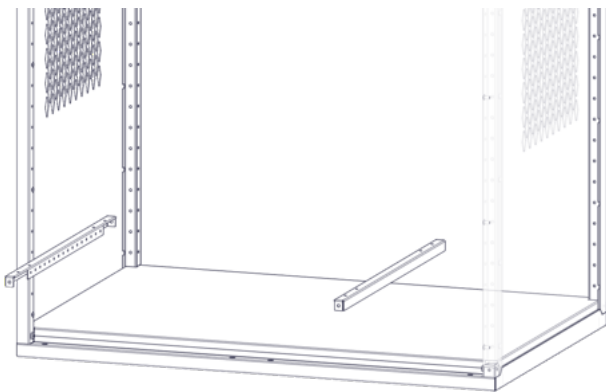
Go to Step-18 for front cover channel installation.

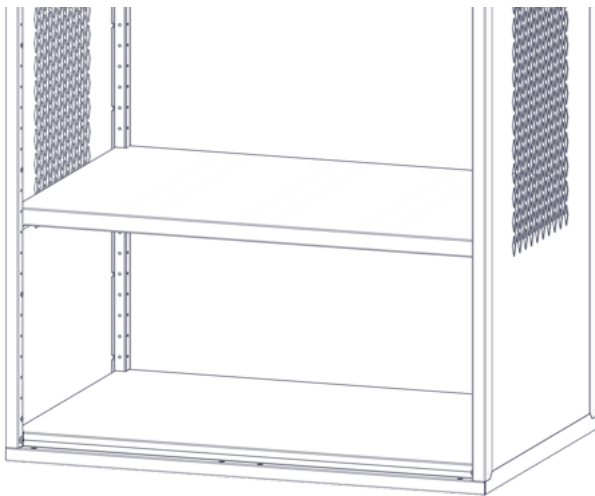
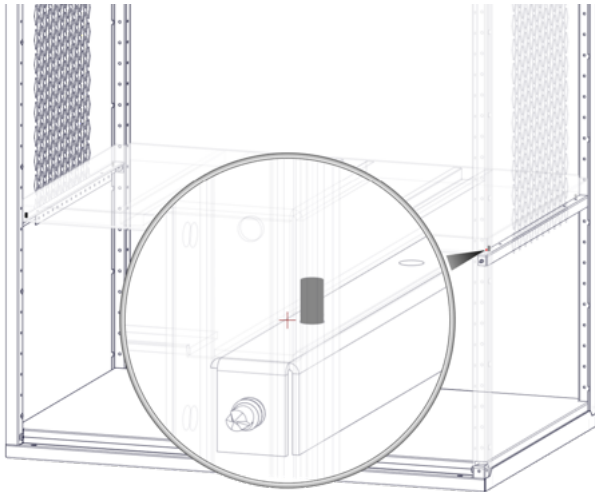
## Metal Seat Installation

Step-9A- Install the side mounting rails at the proper height locations using one screw in each corner. Rail height for 18-inch high seat is 16.9 inches from the outside bottom corner to the top of the rail. Two mounting rails required one on each side. If you have channel base rail height needs adjustment according to the channel base height.



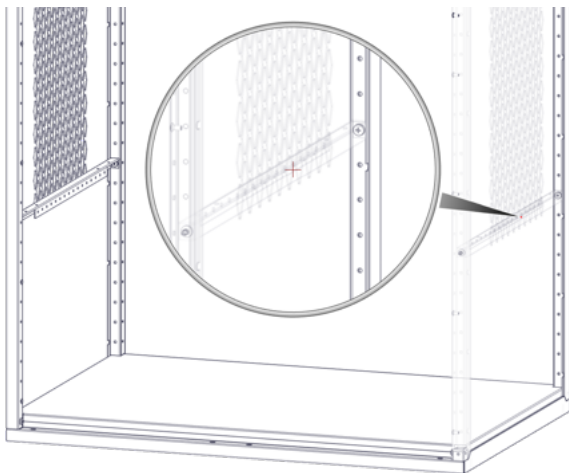
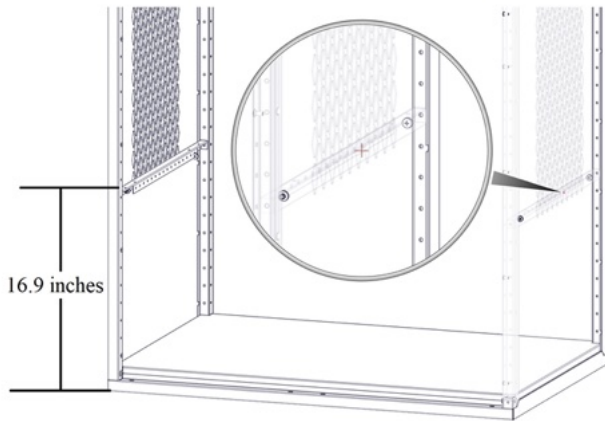
Step-9B- Rivet seat to mounting rails in each corner as shown.



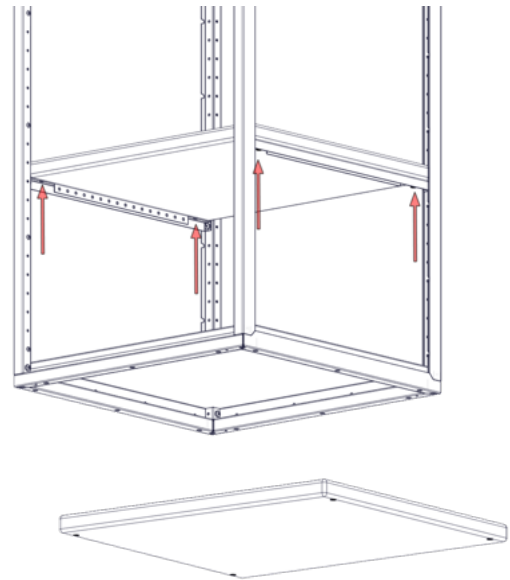


### Wooden Seat Installation

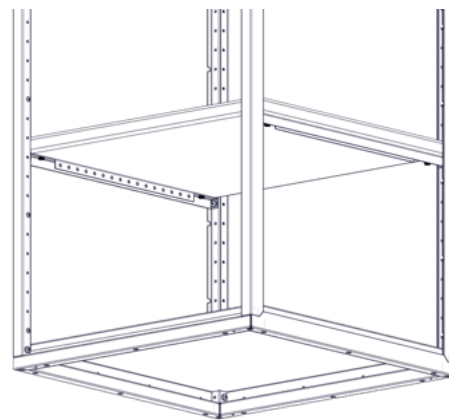
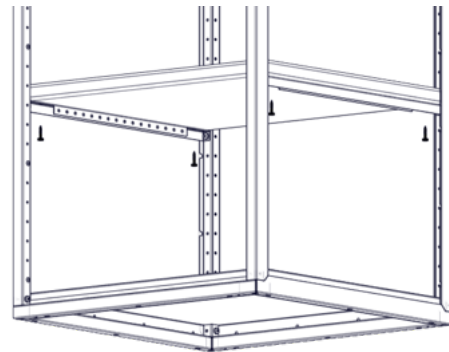
Step-10A- Install the side mounting rails at the proper height locations using one screw in each corner. Rail height for 18-inch high seat is 16.9 inches from the outside bottom corner to the top of the rail. Two mounting rails required one on each side. If you have channel base rail height needs adjustment according to the channel base height.



Step-10B Place wooden seat on top of rails in the correct position and mark it from the underside the mounting hole locations. One in each corner on the wooden bench through the support rails. Pre-drill those marked holes.

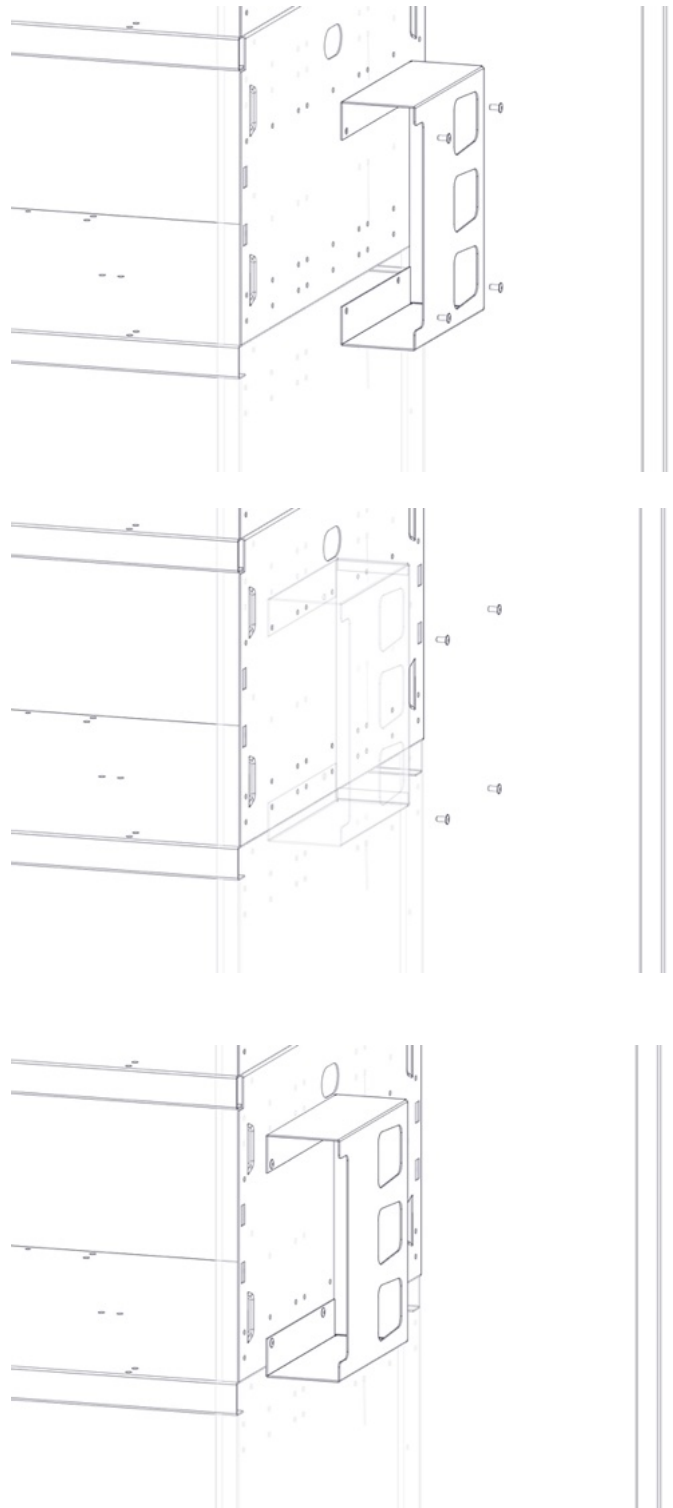
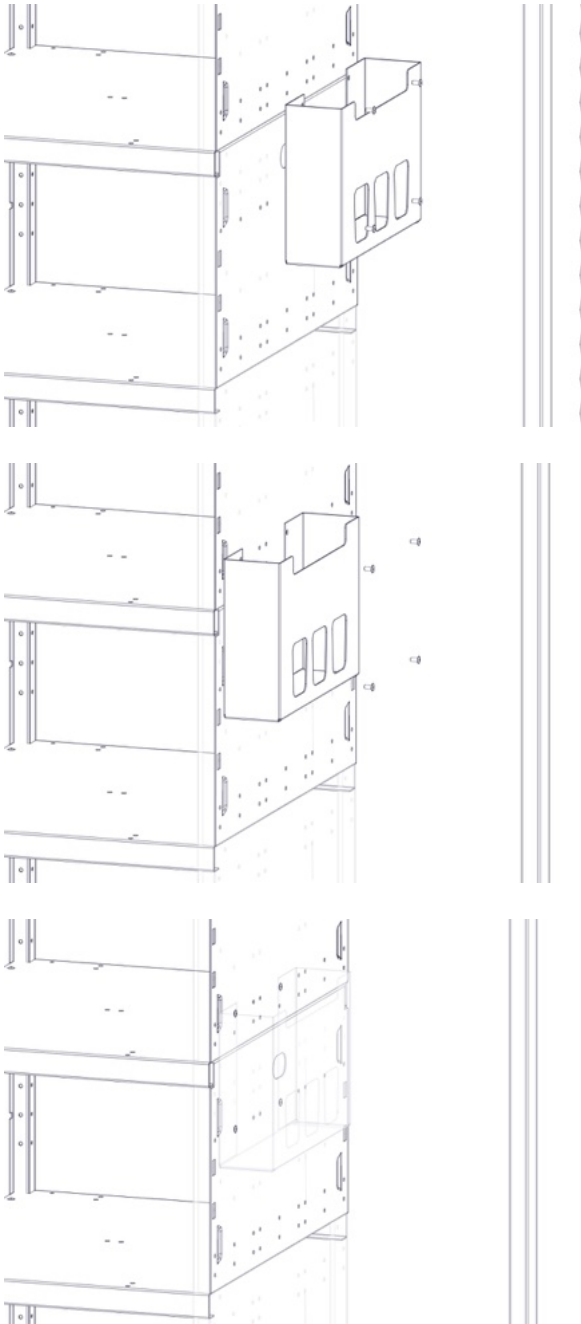


Step-10C Install seat using the four 8624 lag bolts into predrilled holes through support rails.



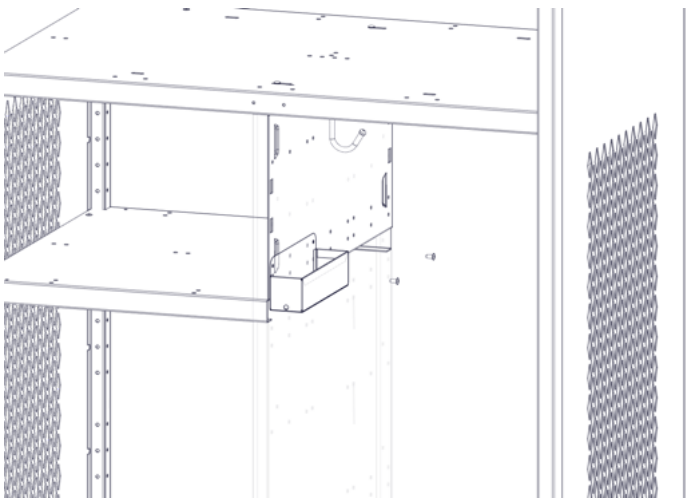
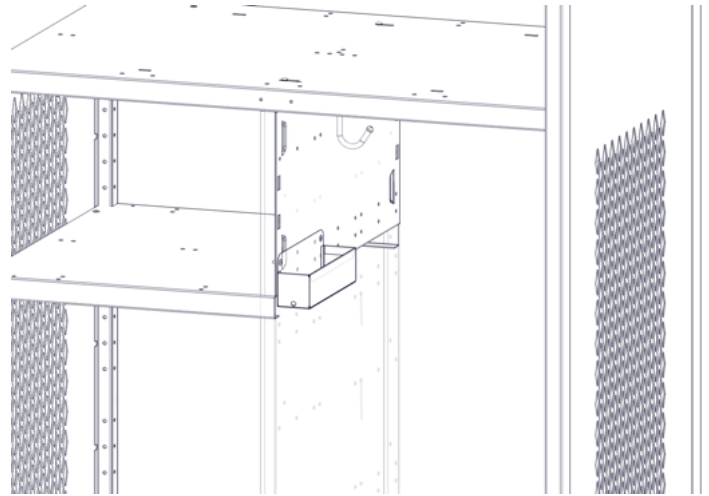
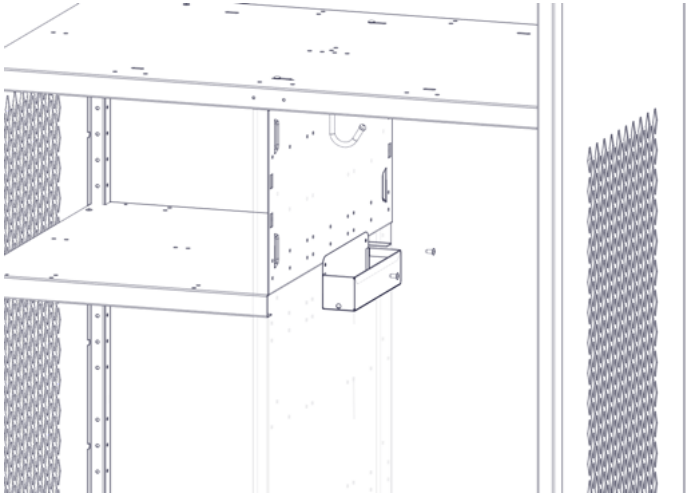
### Document Sleeve Installation

Step-11A- Install document sleeve by aligning in desired location and orientation and install with four rivets or nut and bolt as shown.



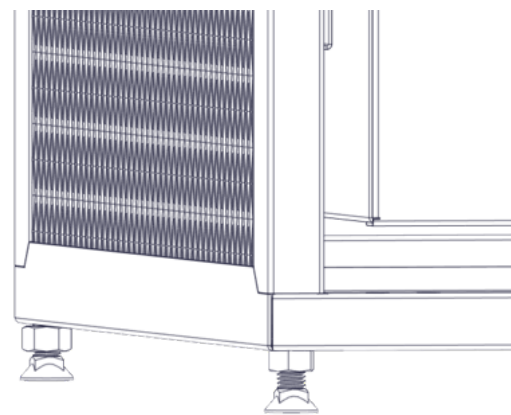
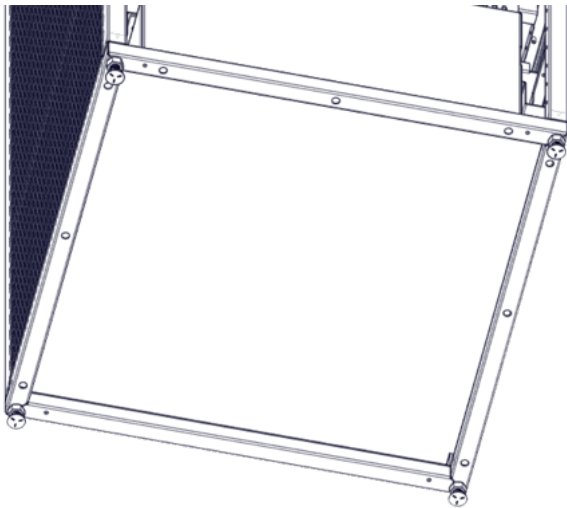
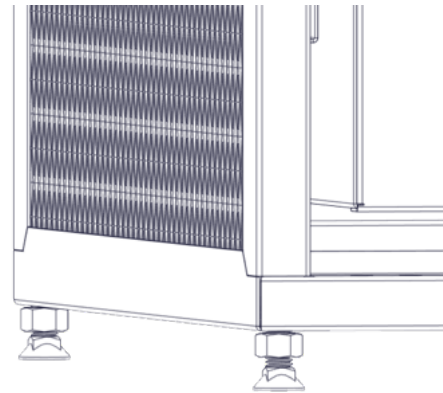
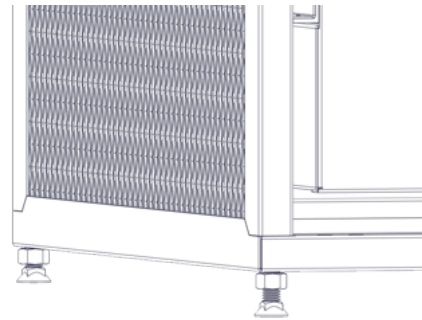
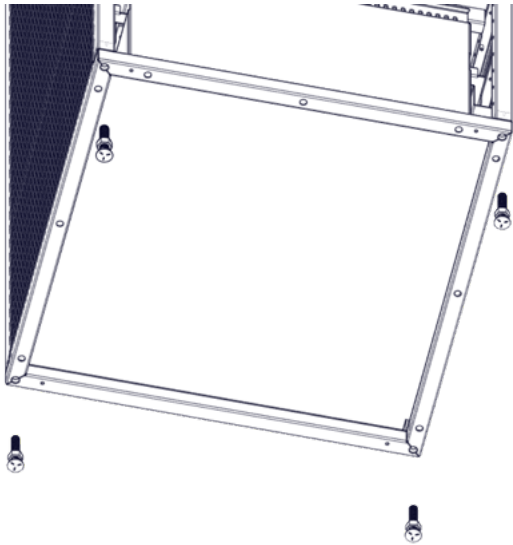
### Cell Tray Installation

12A- Install cell tray by placing in desired position and rivet or nut and bolt as shown.



## Feet Installation

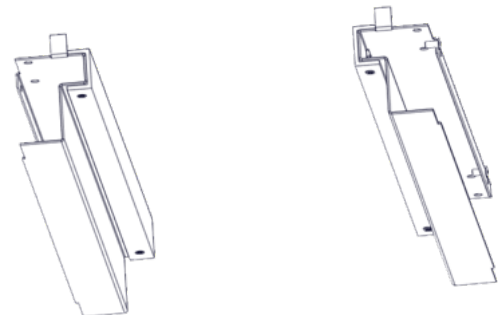
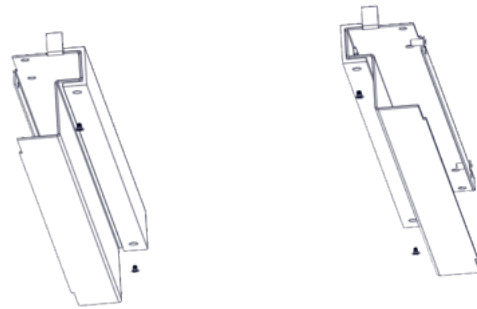
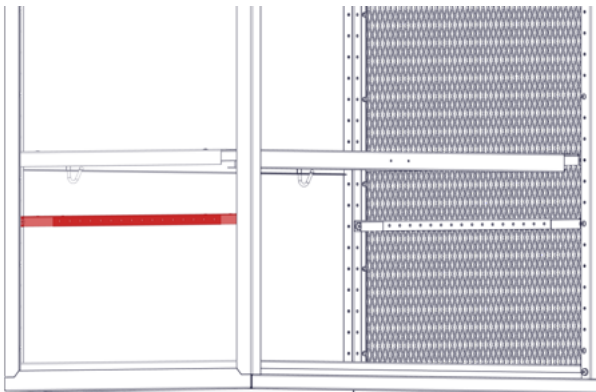
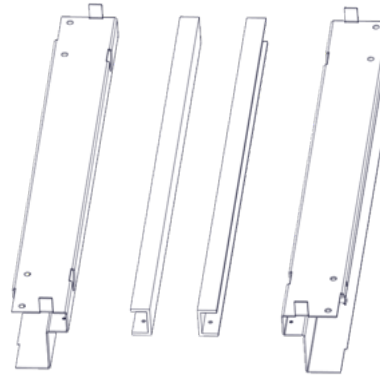
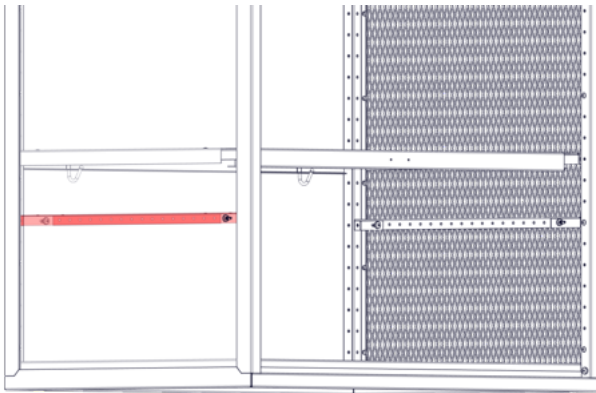
Step-13A Install feet into threaded corners as shown. Position locker and make level by turning in or out each foot. Once level then tighten nut against locker bottom to hold in place.



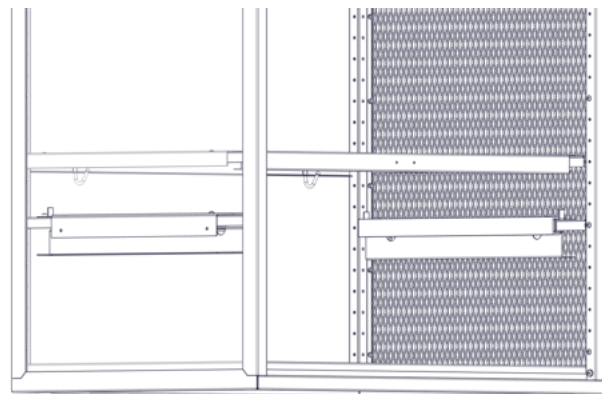
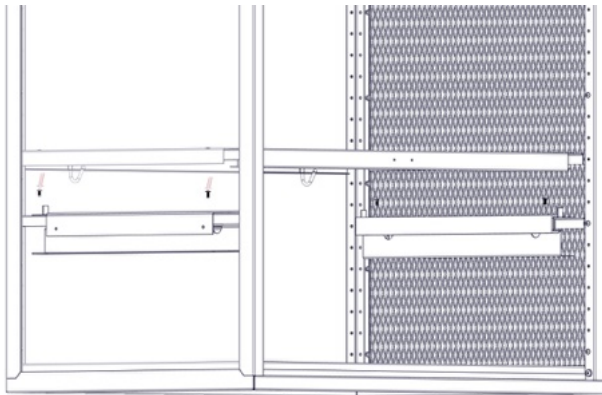
### Installing 6" drawers

Step-14 Install shelf at desired location for first drawer. (See shelf installation) 6A install mounting rails for drawer using the 8709 screws provided.

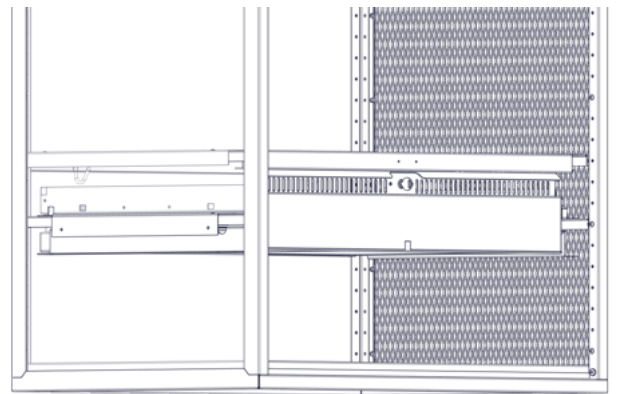
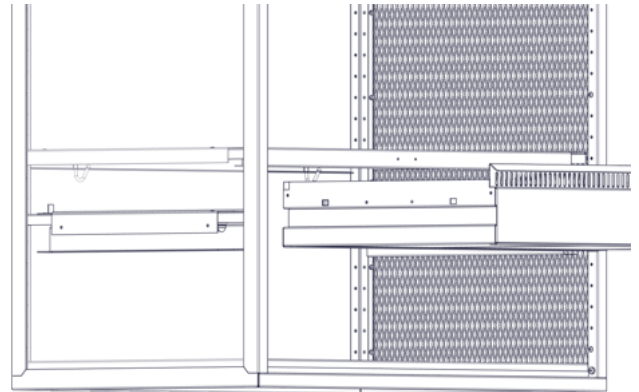
Step-14B Install plastic channels to drawer guide rails by sliding them onto drawer guide rails. Then attach using two 8721 screws in each rail.



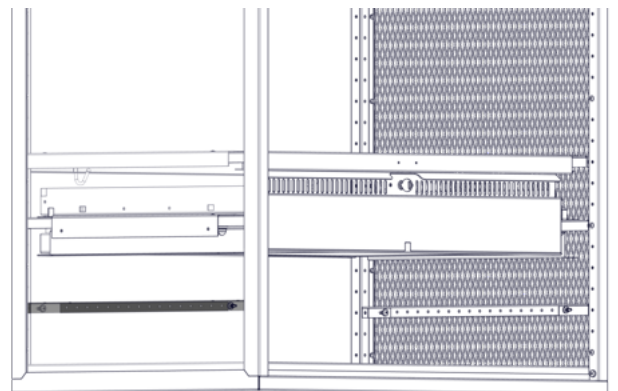
Step-14C Install drawer guide rails using two 8676 rivets each to mounting rails. The back hole should line up with the mounting rail back hole as shown.

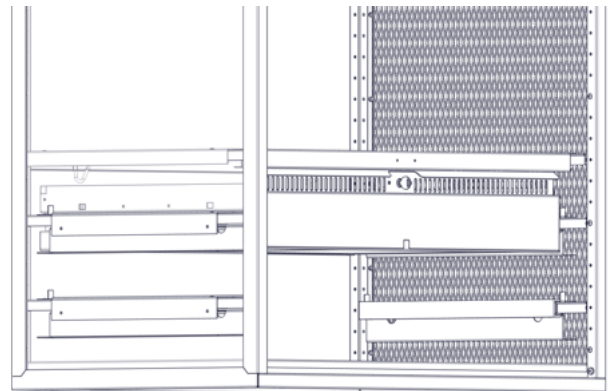
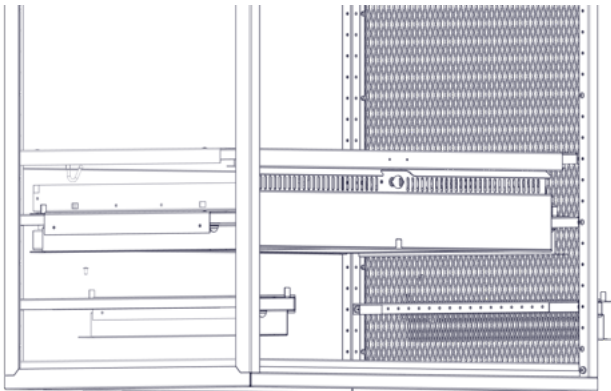
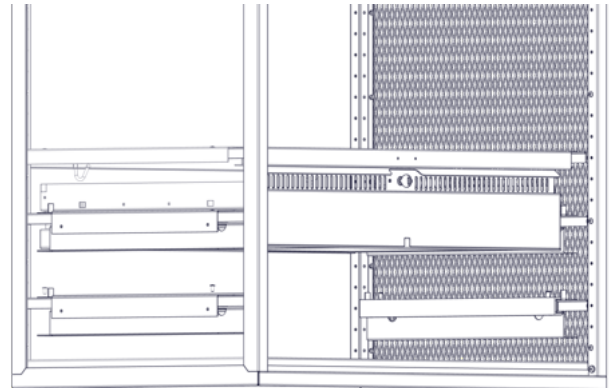
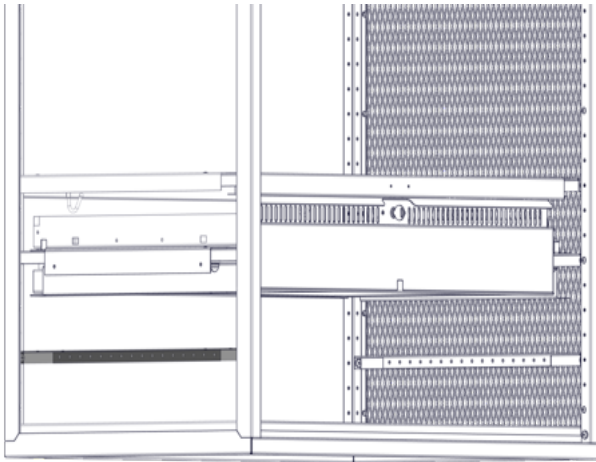


Step-14D Insert drawer onto the glide rails.

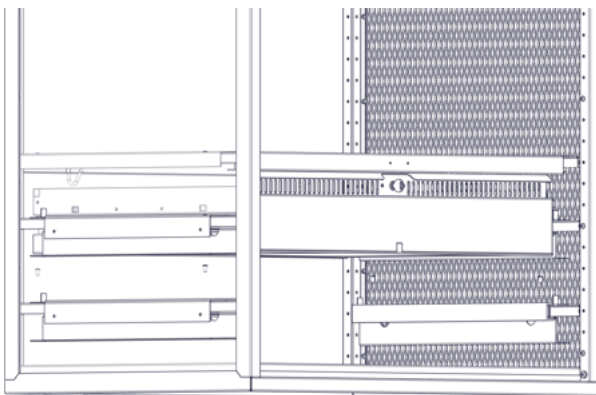


Step-14E Install mounting rails for next drawer using the 8709 screws provided.

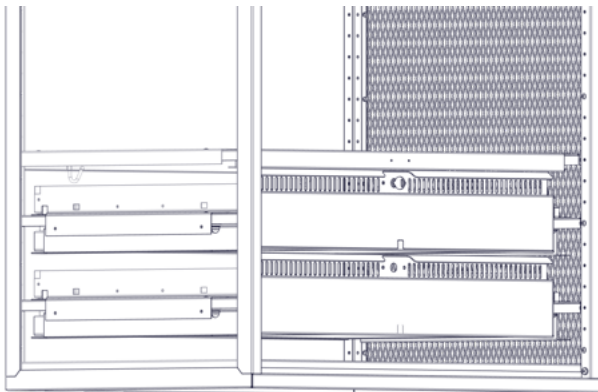
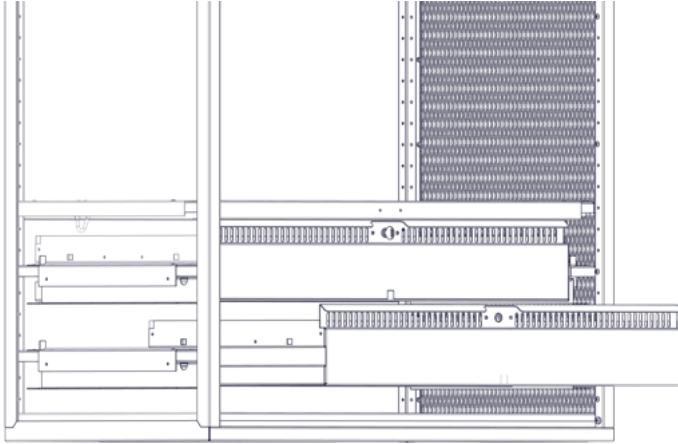




Step-14F Install drawer guide rails using two rivets attached to mounting rails. Note plastic glides are attached prior to riveting drawer rails (see step 16B).

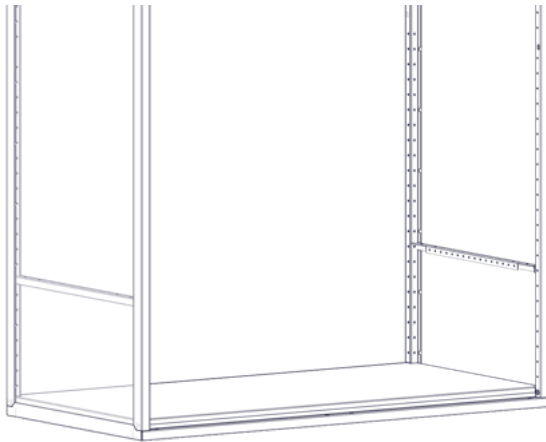
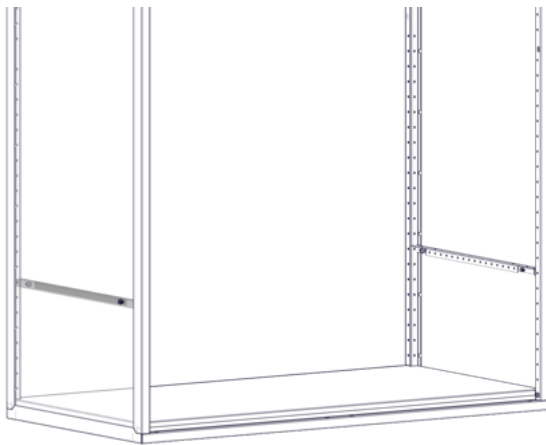


Step-14G Insert drawer onto the glide rails.

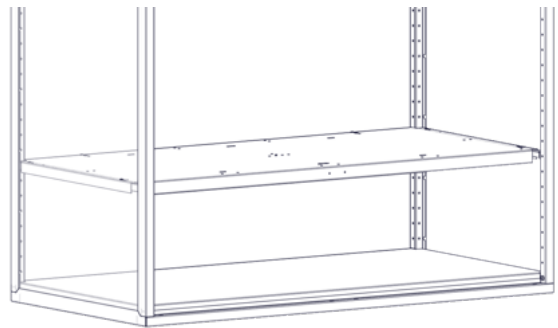
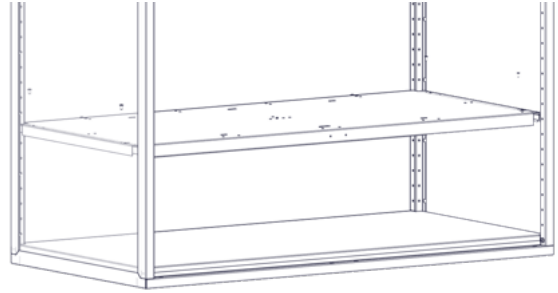


### Installation of side-by-side drawers

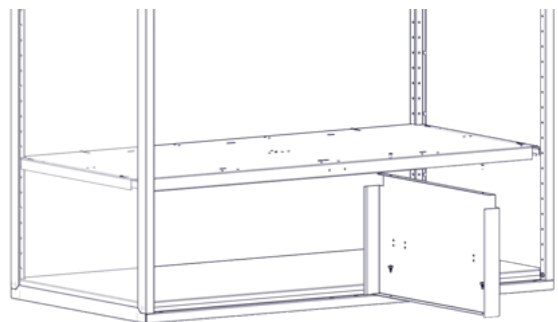
Step-15A Install support rails for shelf at 13.9" up measured from the outside bottom. Install shelf on support rails using four rivets. Next install mounting rails for drawer using the 8709 screws provided. Next install drawer guide rails using two rivets attached to mounting rails. Install plastic glide rails to drawer guide rails using the provided screws. Next insert drawer onto the glide rails.

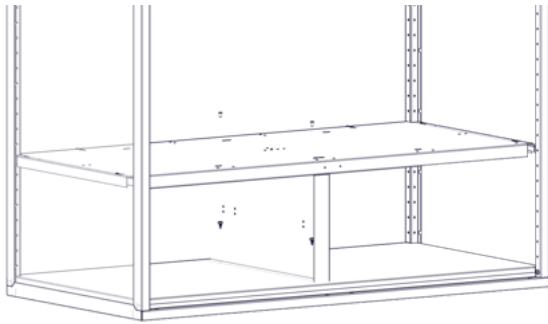


Step-15B Install shelf on support rails using four rivets.

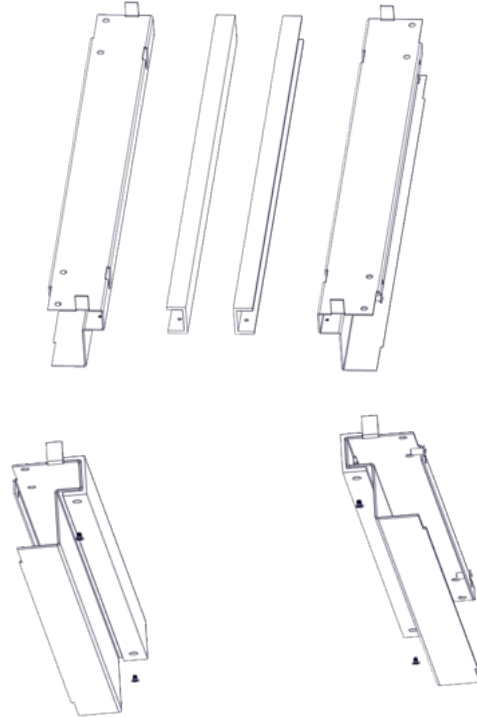


Step-15C Install divider using rivets and screws. (Note it is critical to get this in the correct location for proper fit of side-by-side drawers.)

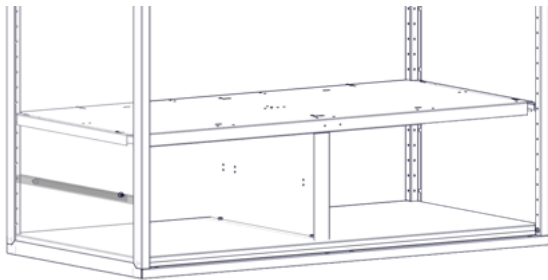
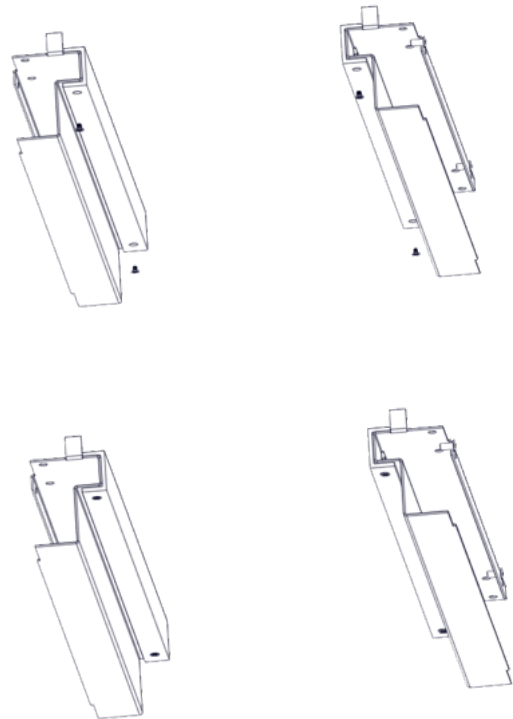
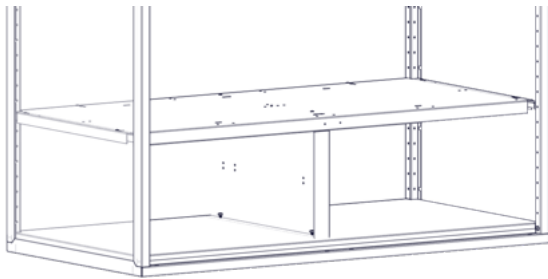




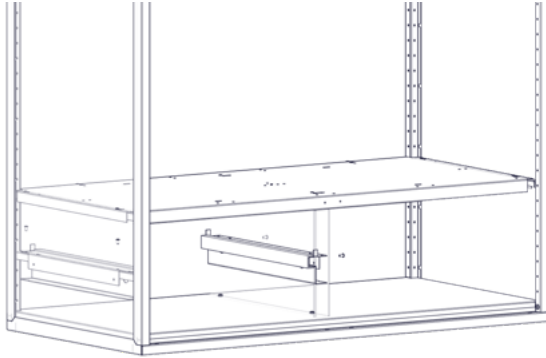
Step-15E Install plastic channels to drawer guide rails by sliding them onto drawer guide rails. Then attach using two 8721 screws in each rail.



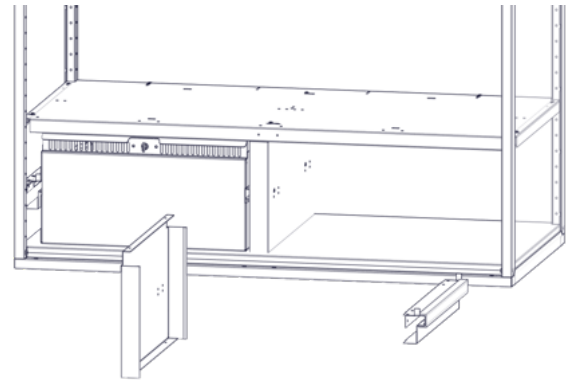
Step-15D Install mounting rail for drawer using the 8709 screws provided.



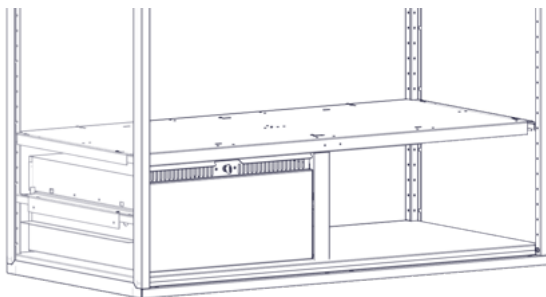
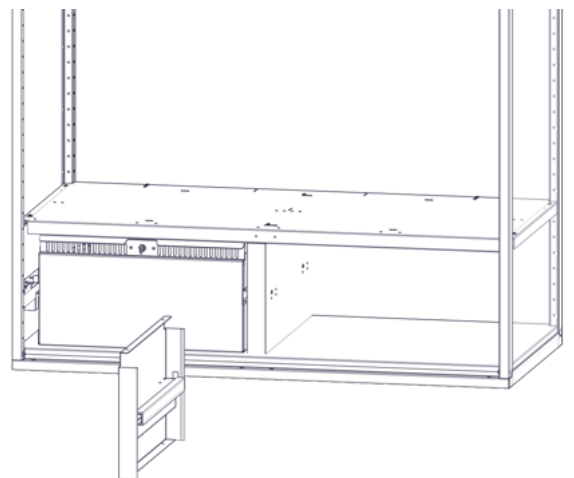
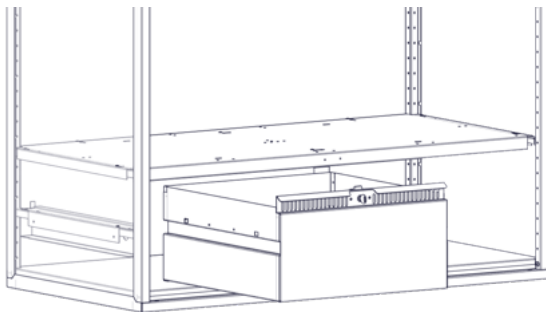
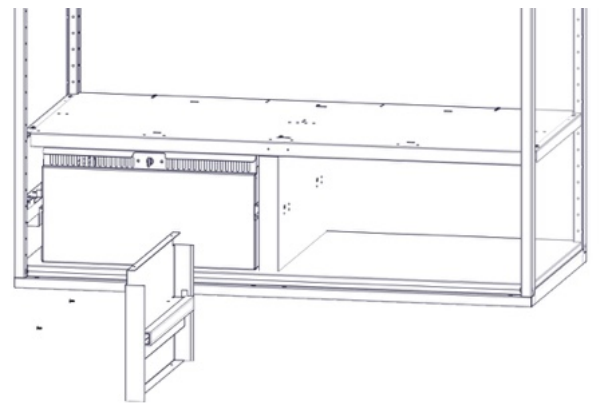
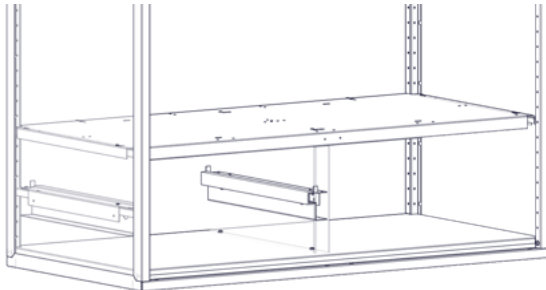
Step-15E Install drawer guide rails using two rivets attached to mounting rail and divider.



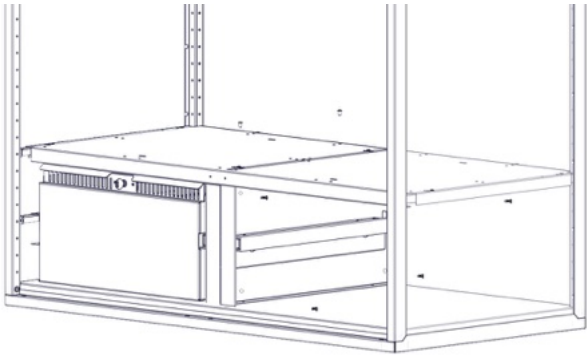
Step-15G Install guide rail to divider using rivets. Note plastic glides are attached prior to riveting drawer rails (see step 17E).



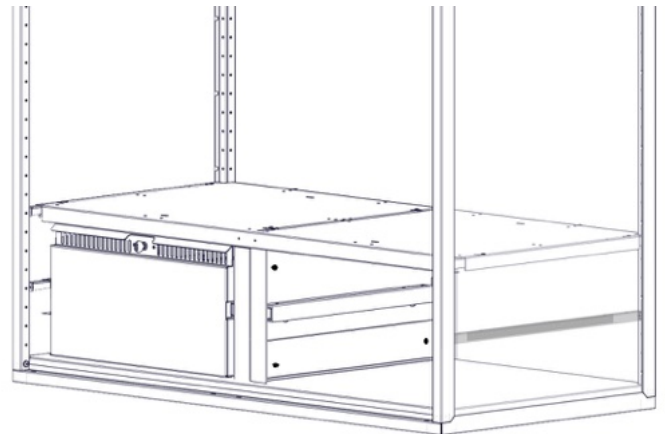
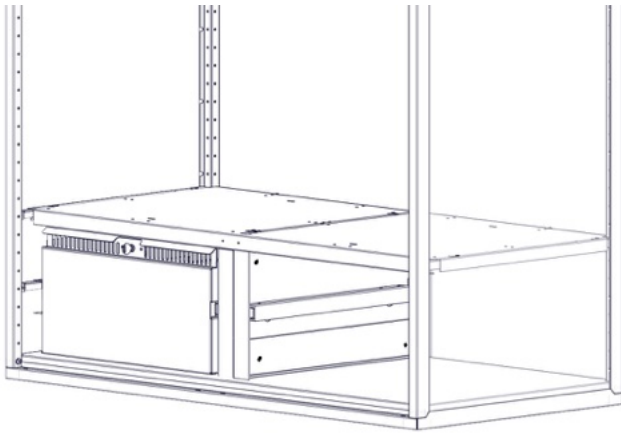
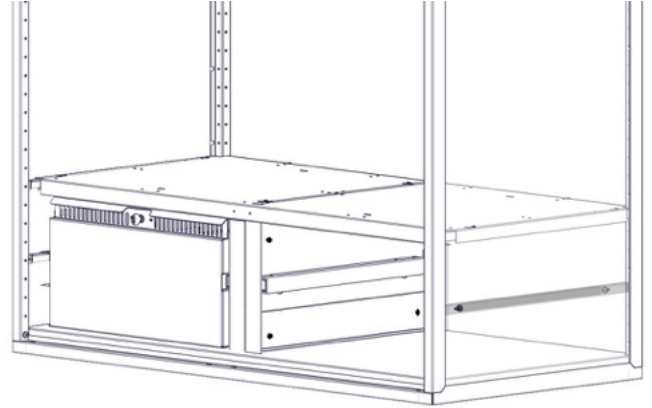
Step-15F Insert drawer onto the glide rails.



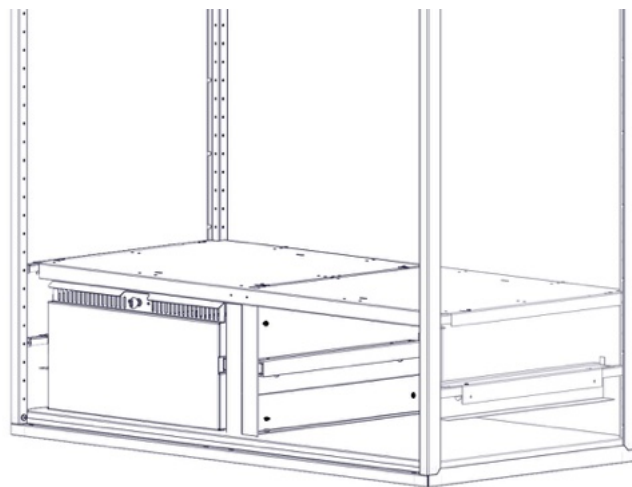
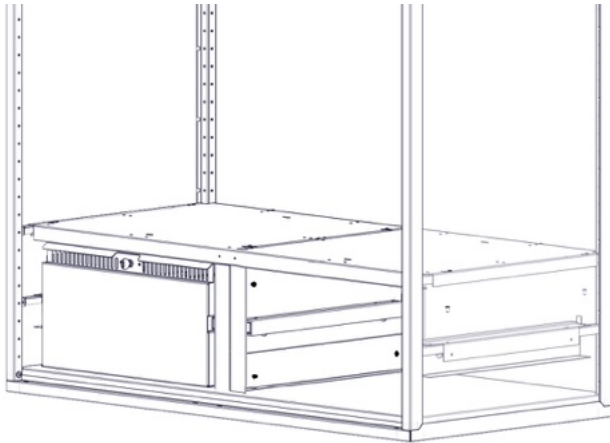
Step-15H Install divider using rivets. (Note it is critical to get this in the correct location for proper fit of side-by-side drawers.)



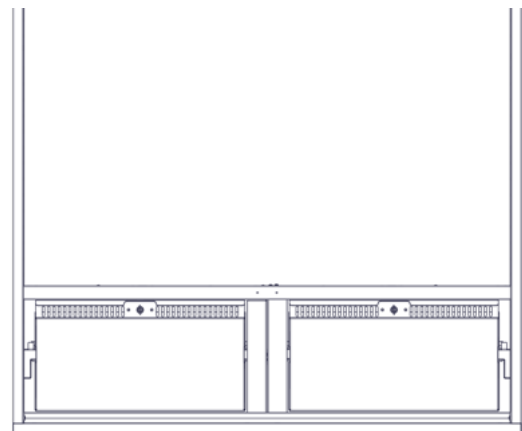
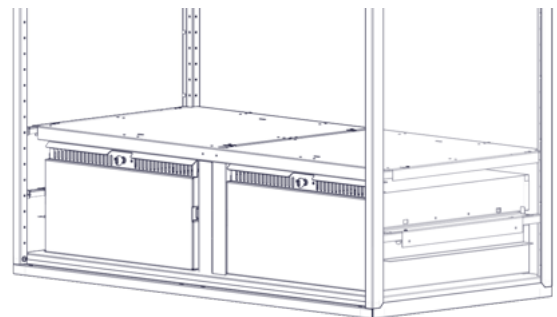
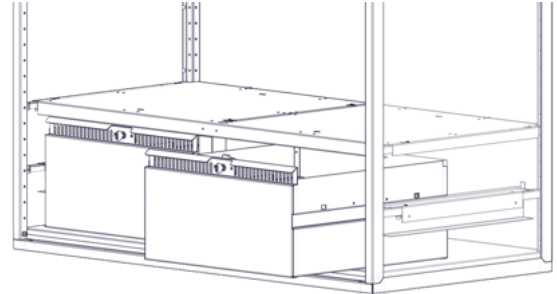
Step-15I Install mounting rail for drawer using the 8709 screws provided



Step-15J Install drawer guide rails using two rivets attached to mounting rail and divider. Note plastic glides are attached prior to riveting drawer rails (see step 17E).

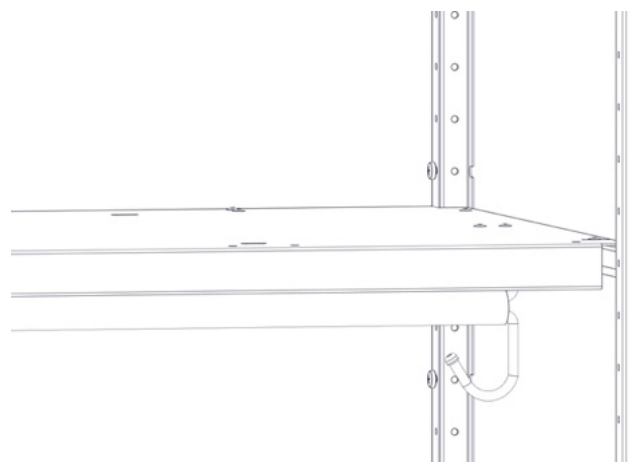
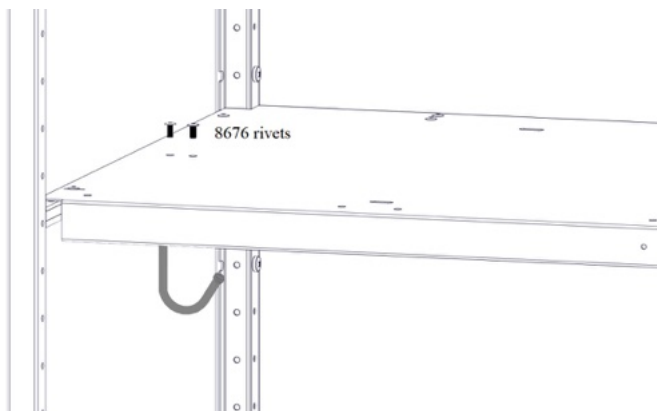
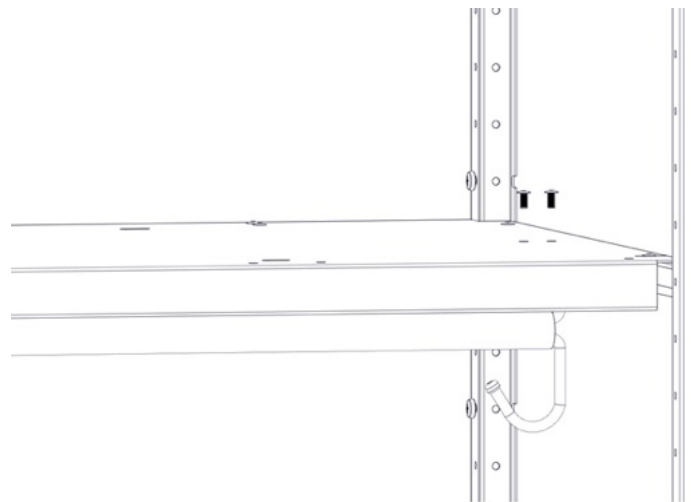
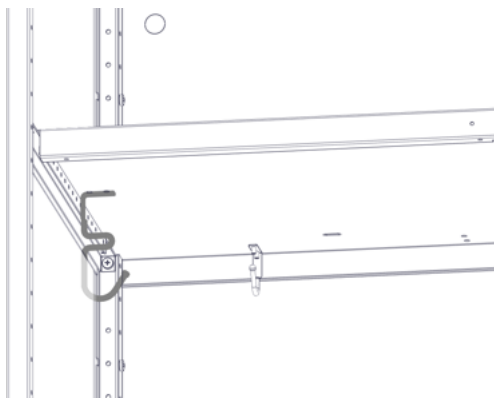
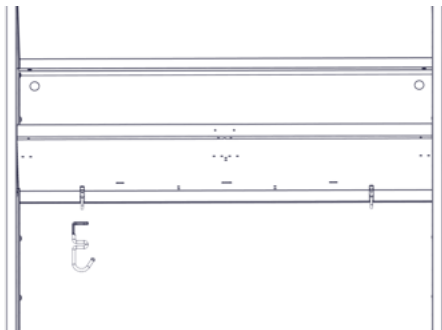
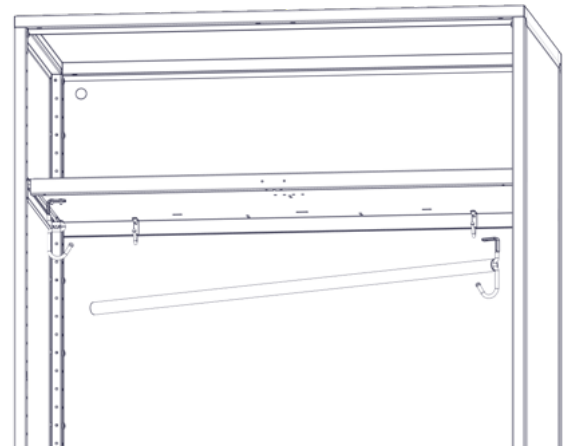


Step-15K Insert drawer onto the glide rails.



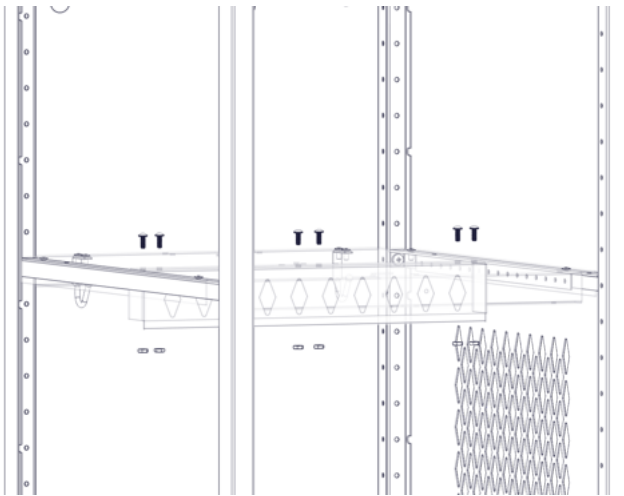
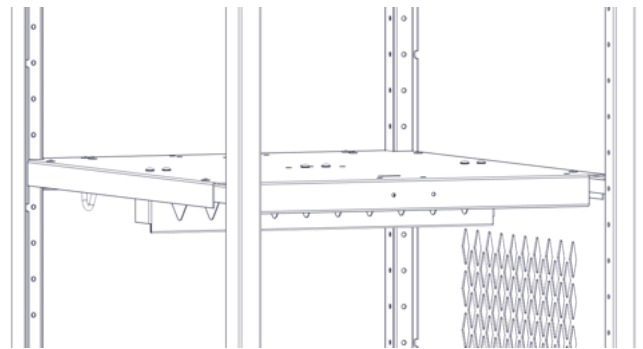
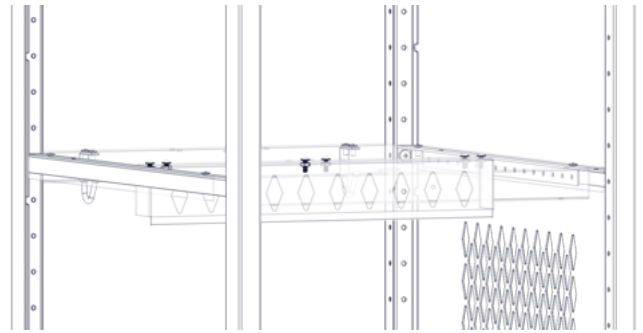
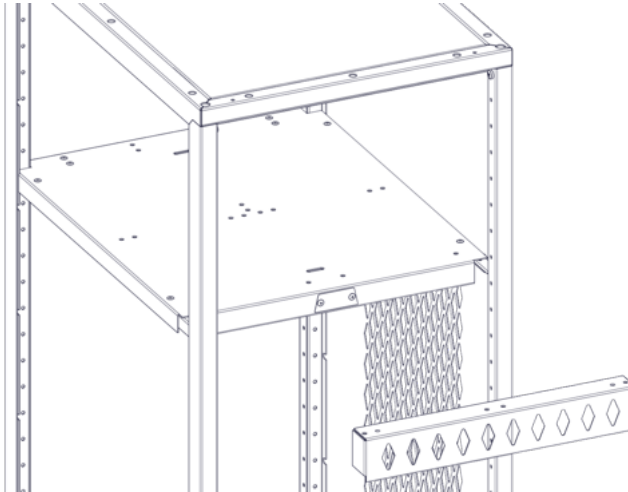
### Coat Rod Hooks and Coat Rod Installation

Step-16A Install 8717 coat hooks, and coat rod using two 8676 rivets per hook as shown. Note it is necessary to put coat rod in place while installing last coat hook. If a center partition or L shaped half shelf is used, install them prior to coat rod installation if the coat rods are full width.

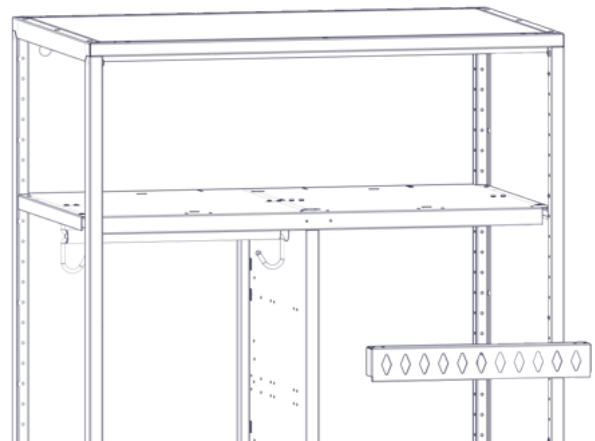


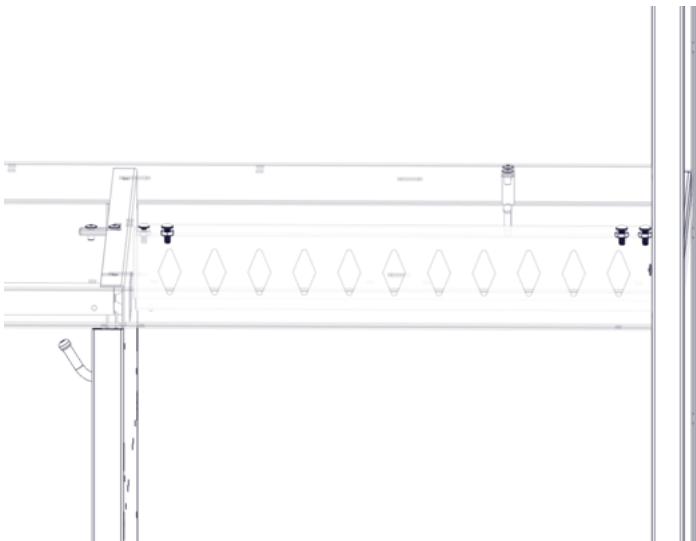
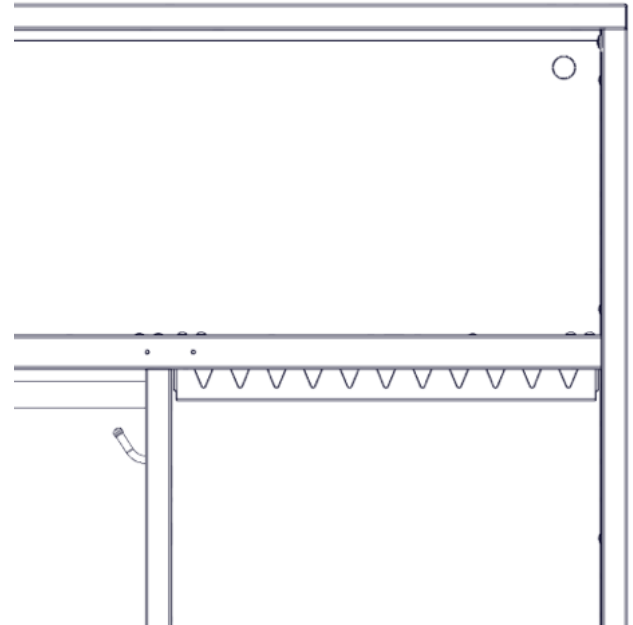
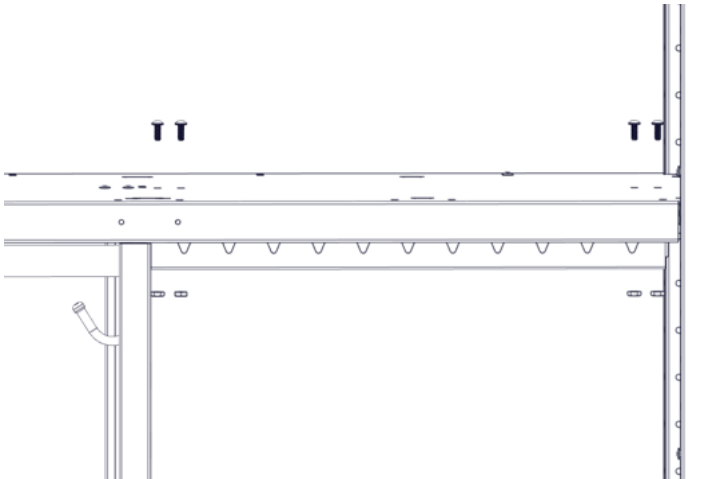
## Garment Separator Installation

Step-17A Install garment separator with six nuts and bolts as shown. Four nuts and bolts are required for half width garment separators.

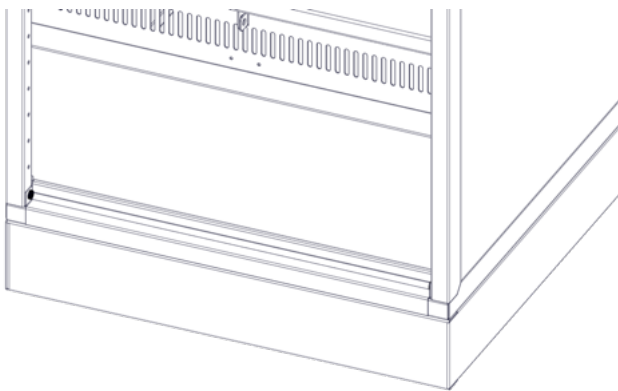
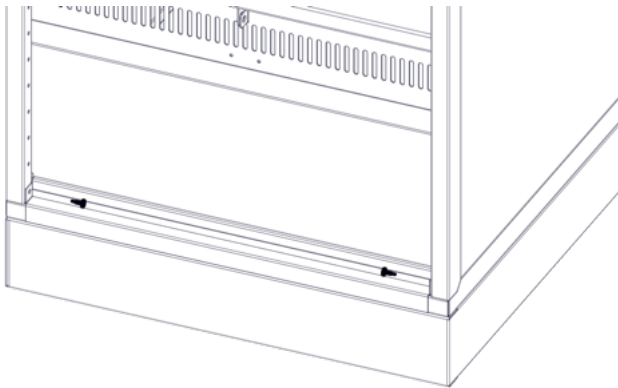
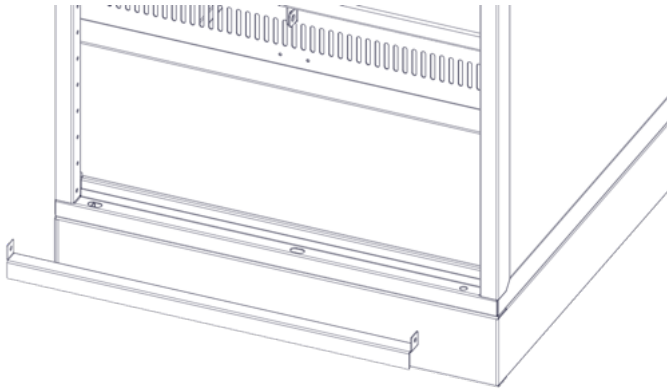


### Half width installation



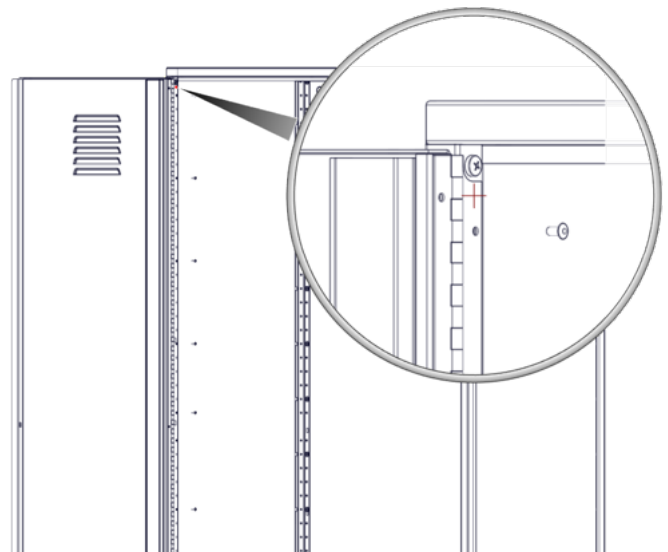
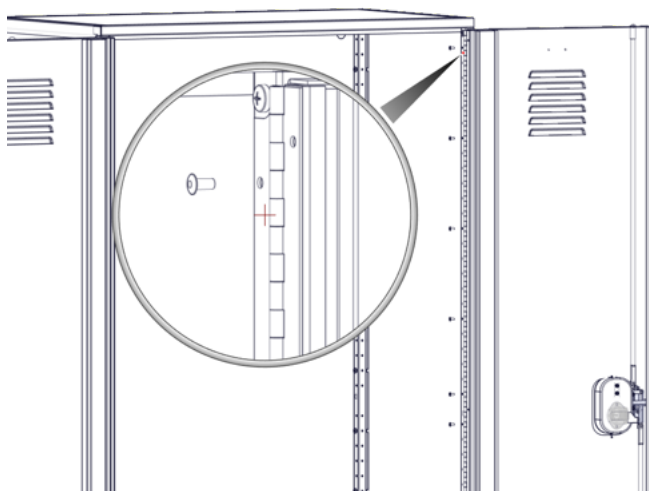
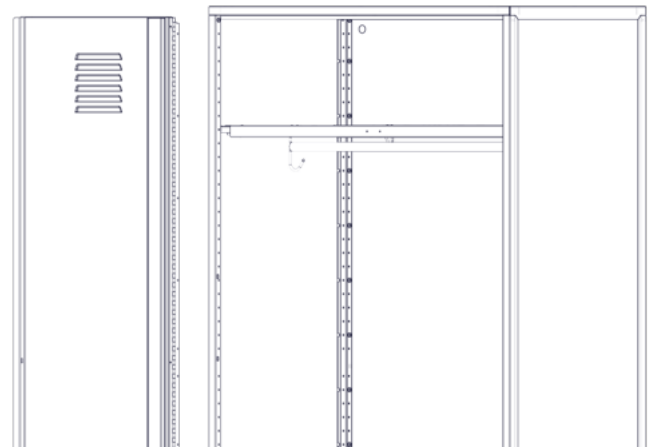
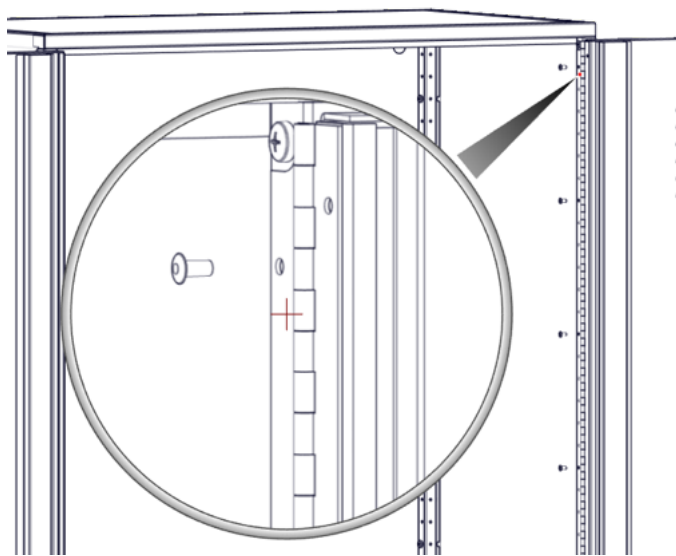
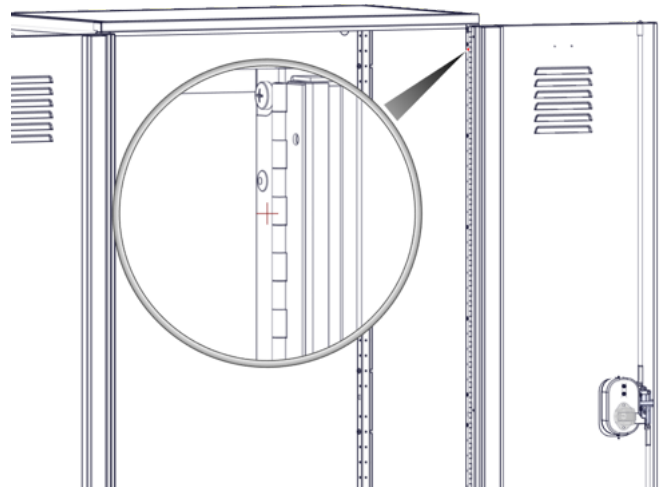


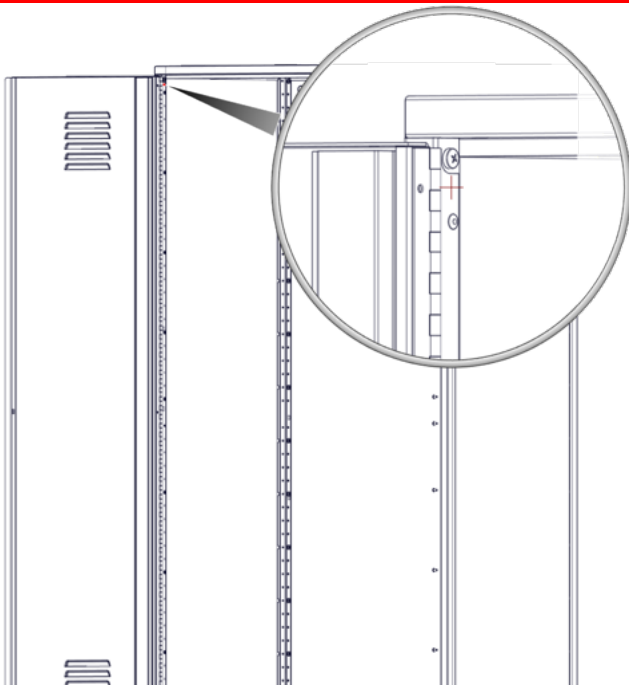
Step-18A- Front cover channel installation.  
Place front cover channel in the correct position and  
then attach using two 8709 screws.



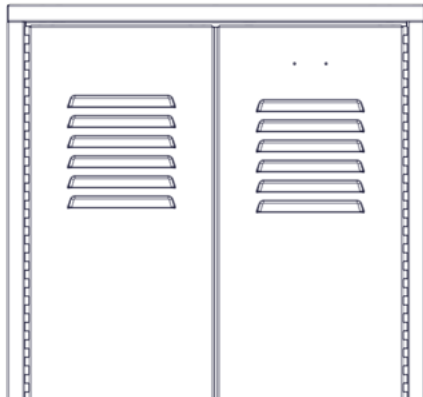
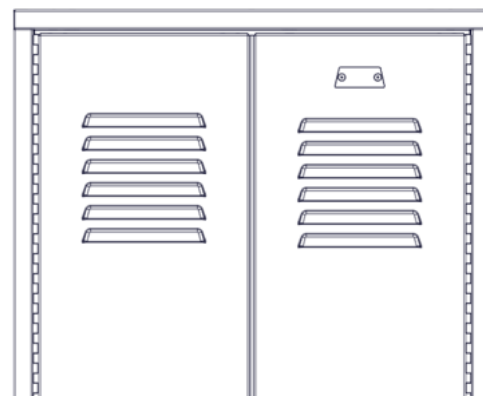
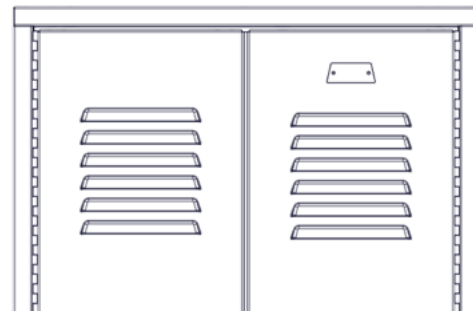
**Step-19A- Install all internal accessory components prior to door installation.**

Before installing door/s ensure hinges operate freely – paint binds up the hinges and they need to be broken loose. You could have a single or a double door. Install door/s using 8619 rivets at each hole location on hinge. Align doors at the top with the hinge cutout just under the screw that holds the locker top. If you have a single door install rivets on right side using process below.





Step-19B Install number plate using 8671 rivets as shown.



**Door assembly is now complete. Anchor lockers to the floor and wall so they are plumb and level before use to ensure proper function.**

