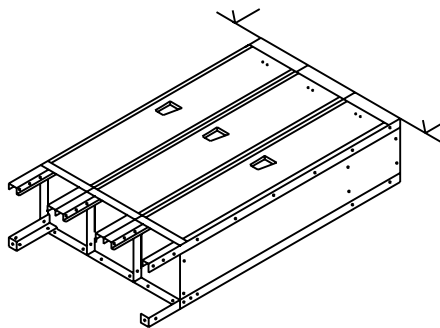
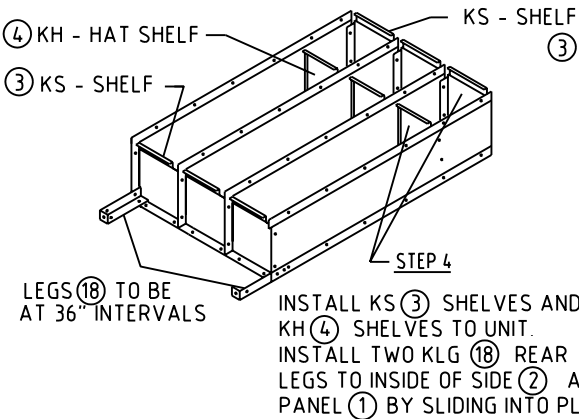
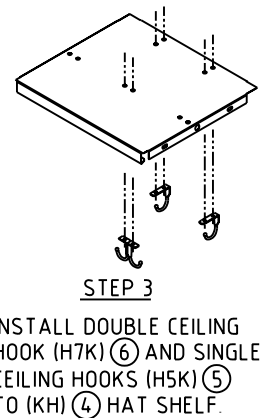
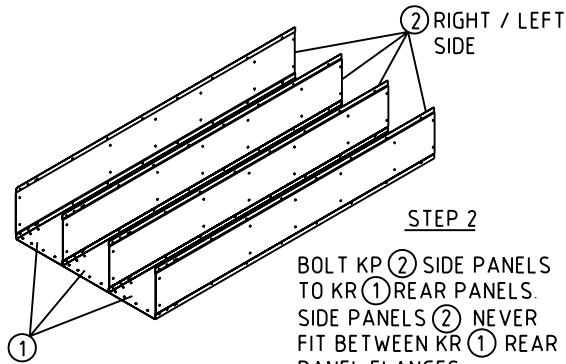
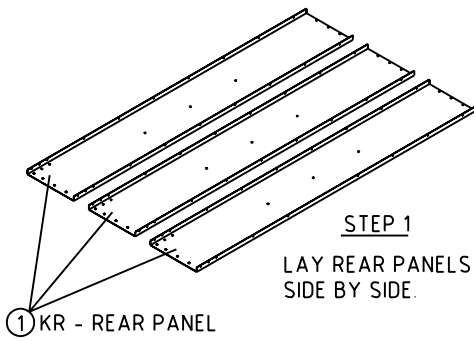
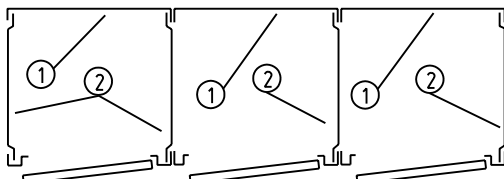


GALVANITE K.D. WARDROBE STOCK LOCKER ASSEMBLY INSTRUCTIONS

(A GROUPING OF 3-WIDE SINGLE TIER LOCKERS ILLUSTRATED)

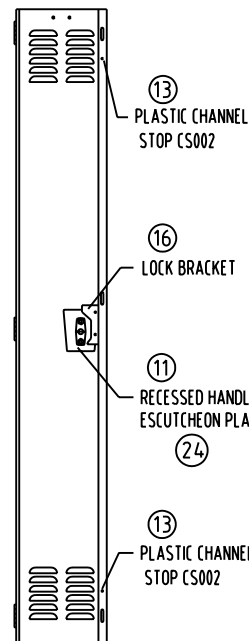


ASSEMBLY OF SINGLE ROW LOCKERS
NEVER PUT SIDE PANELS BETWEEN FRAMES OR REAR PANELS.

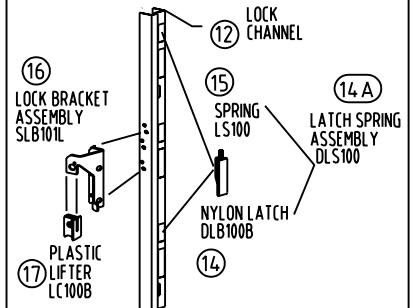


SINGLE TIER EXAMPLE - 3 WIDE UNIT PLAN VIEW

SIDE PANELS MUST GO INSIDE REAR PANEL AND INSIDE FRAME.



INSIDE DOOR VIEW

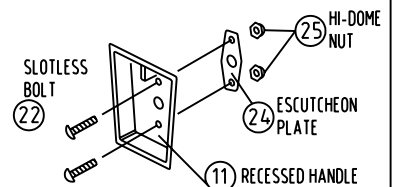
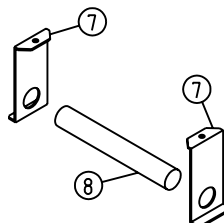


EXPLODED VIEW OF LOCK CHANNEL

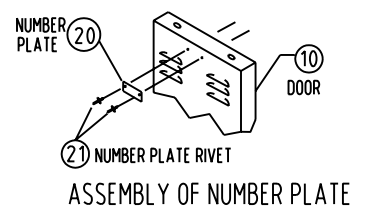
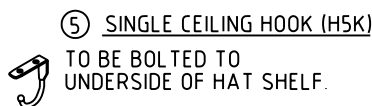
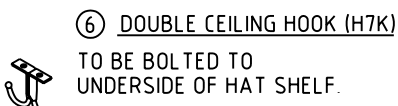
OPTIONAL COAT ROD

BRACKETS TO BE BOLTED TO UNDERSIDE OF HAT SHELF WITH COAT ROD IN BETWEEN.

- xx⑦ COAT ROD BRACKETS (xxTRH 200)
- xx⑧ COAT ROD (xxKCRww)



ASSEMBLY OF ESCUTCHEON PLATE



ASSEMBLY OF NUMBER PLATE

Sold By

