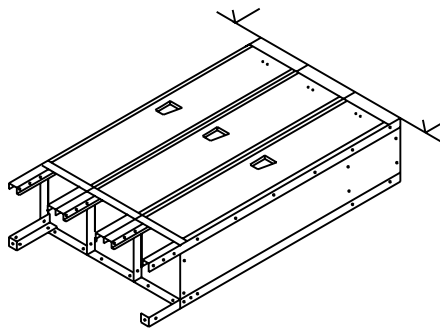
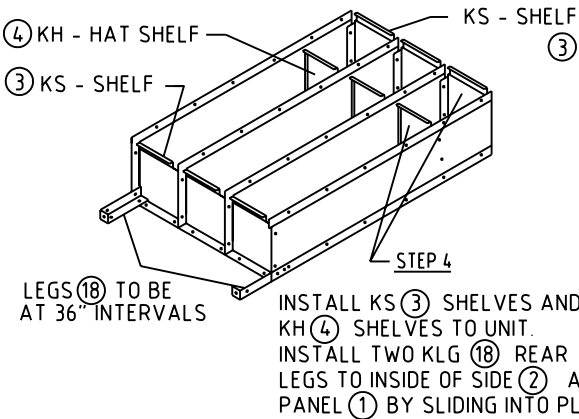
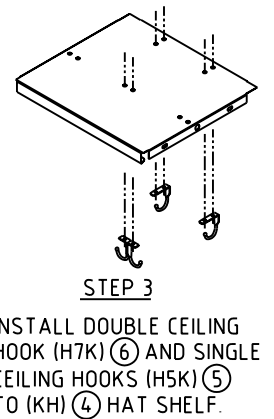
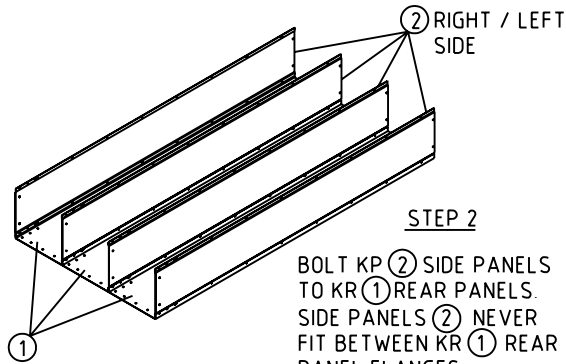
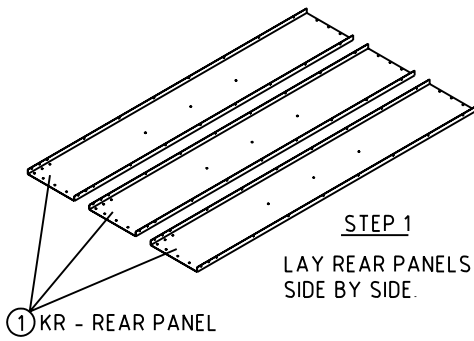
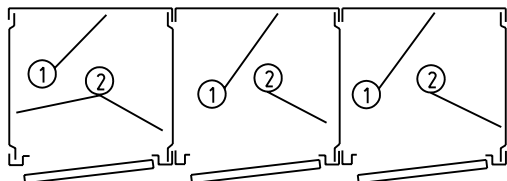


HEAVY-DUTY VENTILATED K. D. STOCK LOCKER ASSEMBLY INSTRUCTIONS

(A GROUPING OF 3-WIDE SINGLE TIER LOCKERS ILLUSTRATED)

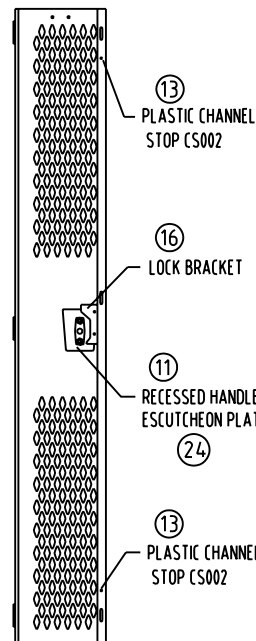


ASSEMBLY OF SINGLE ROW LOCKERS
NEVER PUT SIDE PANELS BETWEEN
FRAMES OR REAR PANELS.

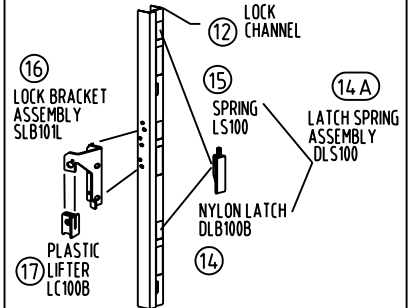


SINGLE TIER EXAMPLE - 3 WIDE UNIT PLAN VIEW

SIDE PANELS MUST
GO INSIDE REAR
PANEL AND INSIDE
FRAME.



INSIDE DOOR VIEW

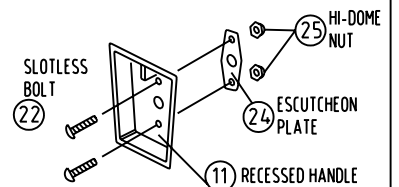
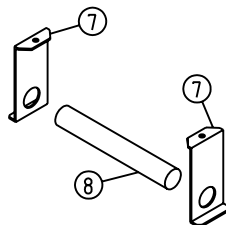


EXPLODED VIEW OF LOCK CHANNEL

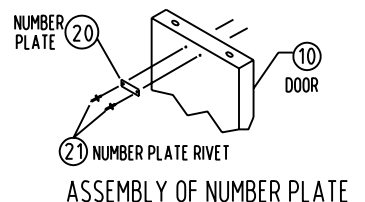
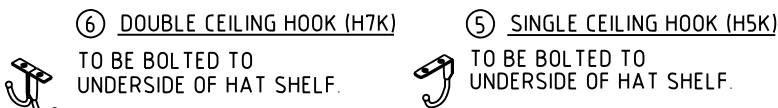
OPTIONAL COAT ROD

BRACKETS TO BE BOLTED TO UNDERSIDE
OF HAT SHELF WITH COAT ROD IN BETWEEN.

- xx ⑦ COAT ROD BRACKETS (xxTRH 200)
- xx ⑧ COAT ROD (xxKCRww)



ASSEMBLY OF ESCUTCHEON PLATE



ASSEMBLY OF NUMBER PLATE

Sold By

