





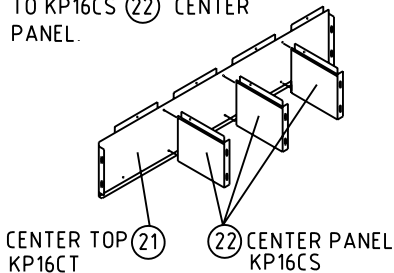


# SAFETY-VIEW PLUS K.D. 16-PERSON STOCK LOCKER ASSEMBLY INSTRUCTIONS

## CENTER SECTION

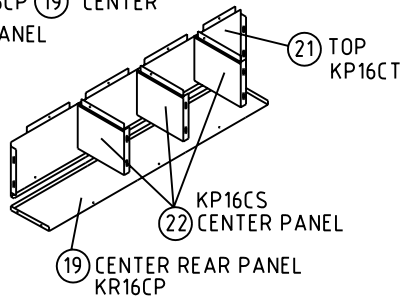
### STEP 5

BOLT KP16CT (21) CENTER TOP TO KP16CS (22) CENTER PANEL.



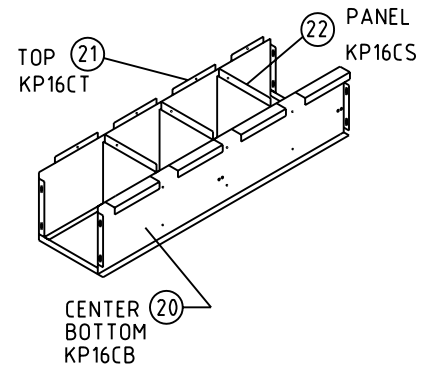
### STEP 6

BOLT (21) TOP AND (22) CENTER PANEL TO KR16CP (19) CENTER REAR PANEL.



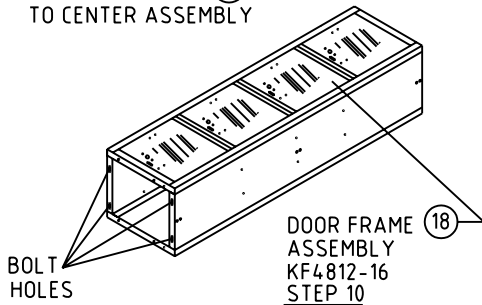
### STEP 7

BOLT KP16CB (20) CENTER BOTTOM TO (19) CENTER REAR AND (22) CENTER PANEL.



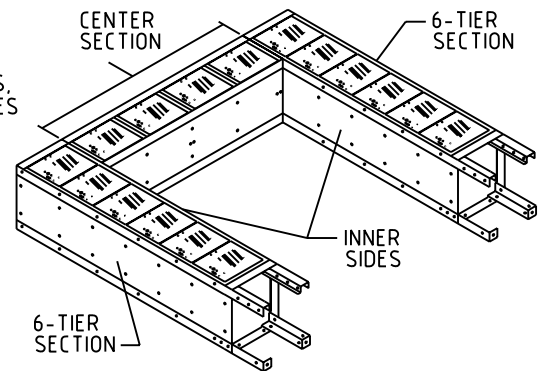
### STEP 8

BOLT KF4812-16A (18) DOOR FRAME ASSEMBLY TO CENTER ASSEMBLY



### STEP 9

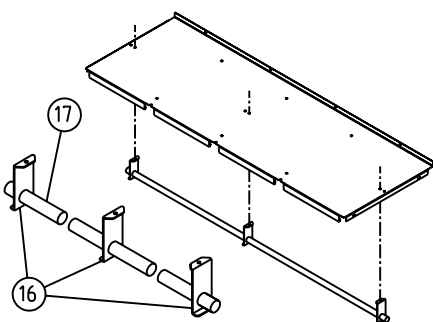
WITH REAR OF CENTER SECTION ON A FLAT SURFACE, ATTACH TO LEFT AND RIGHT 6-TIER LOCKERS, TOP SHELVES AND TOP HAT SHELVES INNER SIDES, USING 10-24 x 1/2" BOLTS THRU HOLES SHOWN ON STEP 3 AND STEP 8



### STEP 11

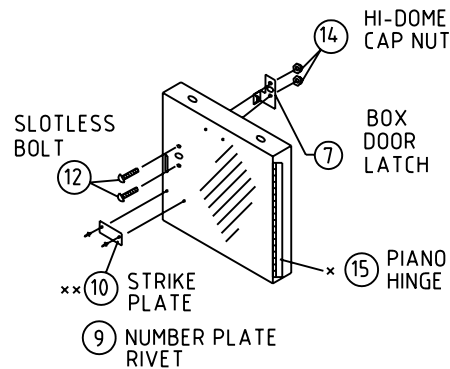
BRACKETS TO BE BOLTED TO UNDER SIDE OF CENTER UNIT WITH COAT ROD IN BETWEEN.

- (16) COAT ROD BRACKET TRH 200
- (17) COAT ROD KCR48



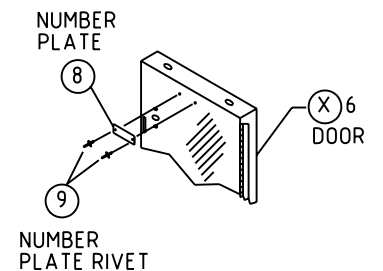
STAND LOCKER SECTION

### STEP 12



ASSEMBLY OF STRIKE PLATE & LATCH PULL

### STEP 13



ASSEMBLY OF NUMBER PLATE

### HARDWARE USED FOR MAIN LOCKER ASSEMBLY



10 - 24 x 3/8"



N201 HEX NUT (13)

MBT200 SLOTLESS BOLT (12)

TIGHTEN NUT WITH A NUT DRIVER OR WRENCH (SCREW IS TAMPER RESISTANT).

Sold By

**SchoolLockers.com**

