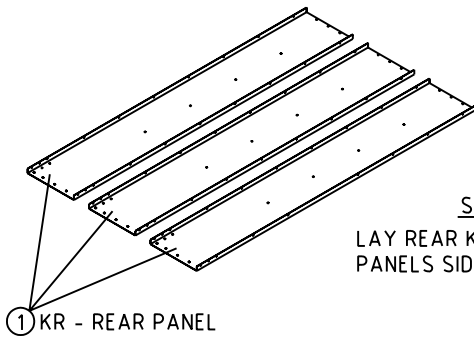
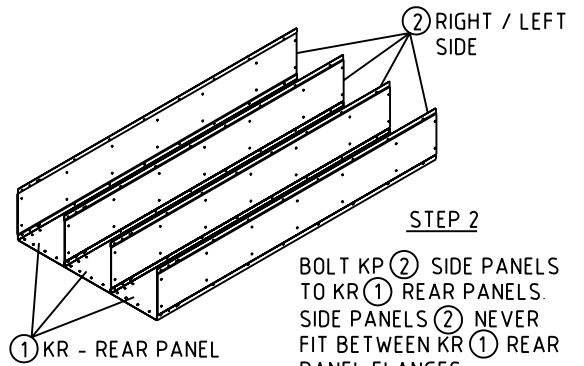


SAFETY-VIEW PLUS K.D. 6TIER STOCK LOCKER ASSEMBLY INSTRUCTIONS

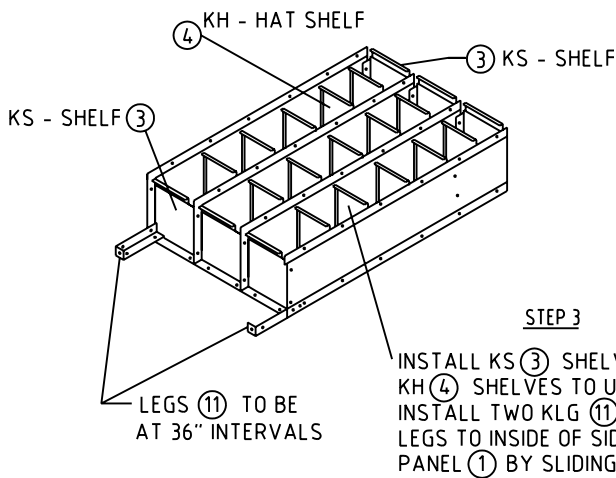
(A GROUPING OF (3) THREE 6-TIER LOCKERS ILLUSTRATED)



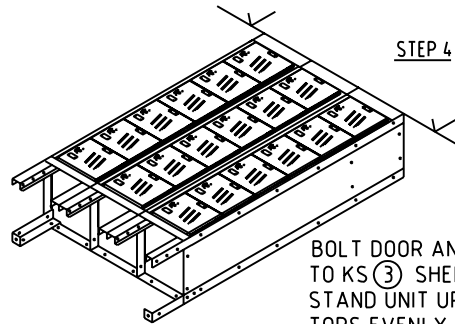
STEP 1
LAY REAR KR (1) PANELS SIDE BY SIDE.



STEP 2
BOLT KP (2) SIDE PANELS TO KR (1) REAR PANELS. SIDE PANELS (2) NEVER FIT BETWEEN KR (1) REAR PANEL FLANGES.

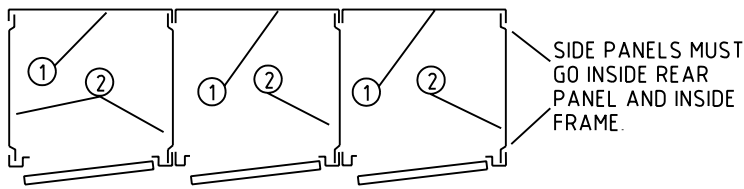


STEP 3
INSTALL KS (3) SHELVES AND KH (4) SHELVES TO UNIT. INSTALL TWO KLG (11) REAR LEGS TO INSIDE OF SIDE (2) AND REAR PANEL (1) BY SLIDING INTO PLACE FROM BOTTOM.

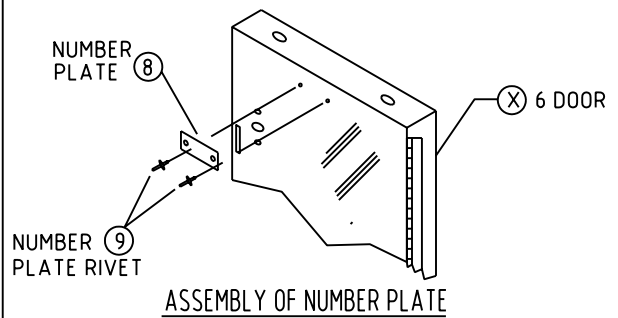


STEP 4
BOLT DOOR AND FRAME (5) ASSEMBLIES TO KS (3) SHELVES AND KP (2) SIDE PANELS. STAND UNIT UP AND ALIGN LOCKER TOPS EVENLY. TIGHTEN ALL BOLTS AND NUTS.
NOTE: WHEN BOLTING ONE UNIT TO ANOTHER, OMIT ONE SET OF BOLTS IN END FRAME AND SIDE TO MINIMIZE GROWTH FROM BOLT HEADS.

ASSEMBLY OF SINGLE ROW LOCKERS NEVER PUT SIDE PANELS BETWEEN FRAMES.



3 WIDE UNIT PLAN VIEW



ASSEMBLY OF NUMBER PLATE

HARDWARE USED FOR MAIN LOCKER ASSEMBLY



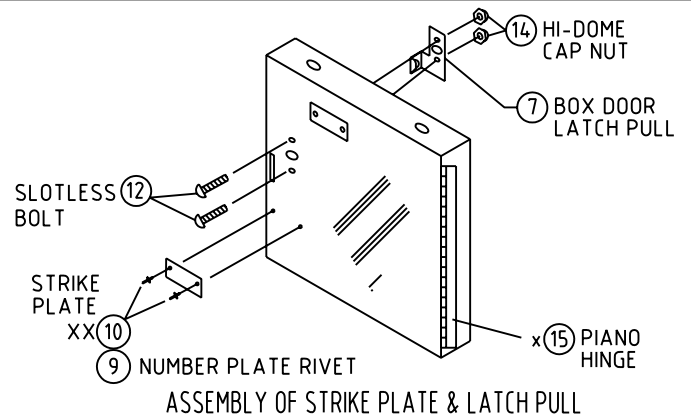
10 - 24 x 3/8"

MBT200 SLOTLESS BOLT (12)



N201 HEX NUT (13)

TIGHTEN NUT WITH A NUT DRIVER OR WRENCH (SCREW IS TAMPER RESISTANT).



ASSEMBLY OF STRIKE PLATE & LATCH PULL

Sold By
SchoolLockers.com

