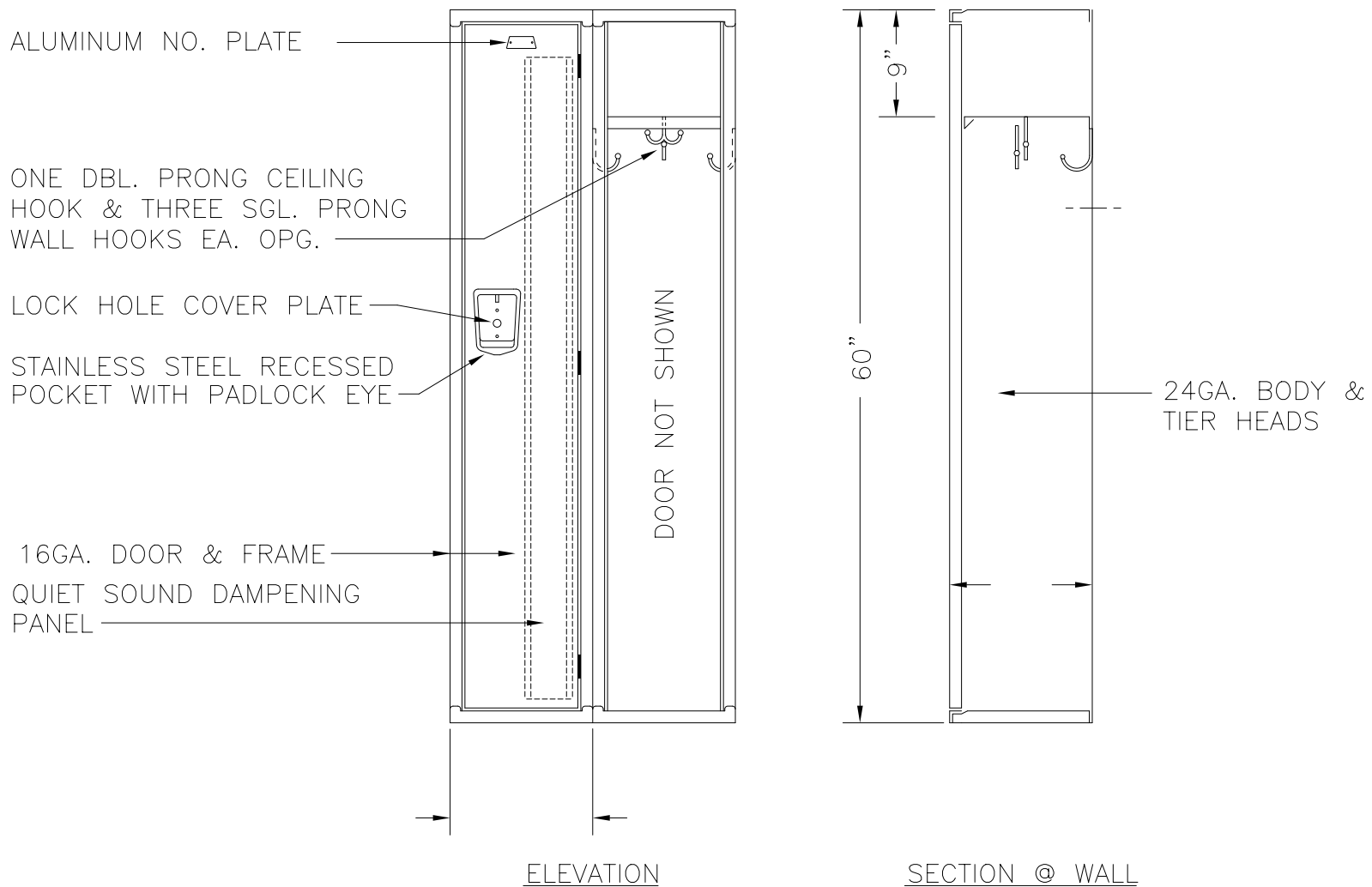


Sold By
SchoolLockers.com

877.952.0151



60" HIGH SINGLE TIER GUARDIAN KNOCKDOWN LOCKER W/ MEDALLION OPTION

12" WIDE, ALLOW 1/16" CREEPAGE PER FRAME
TYPICAL FOR 12" & 15" DEEP

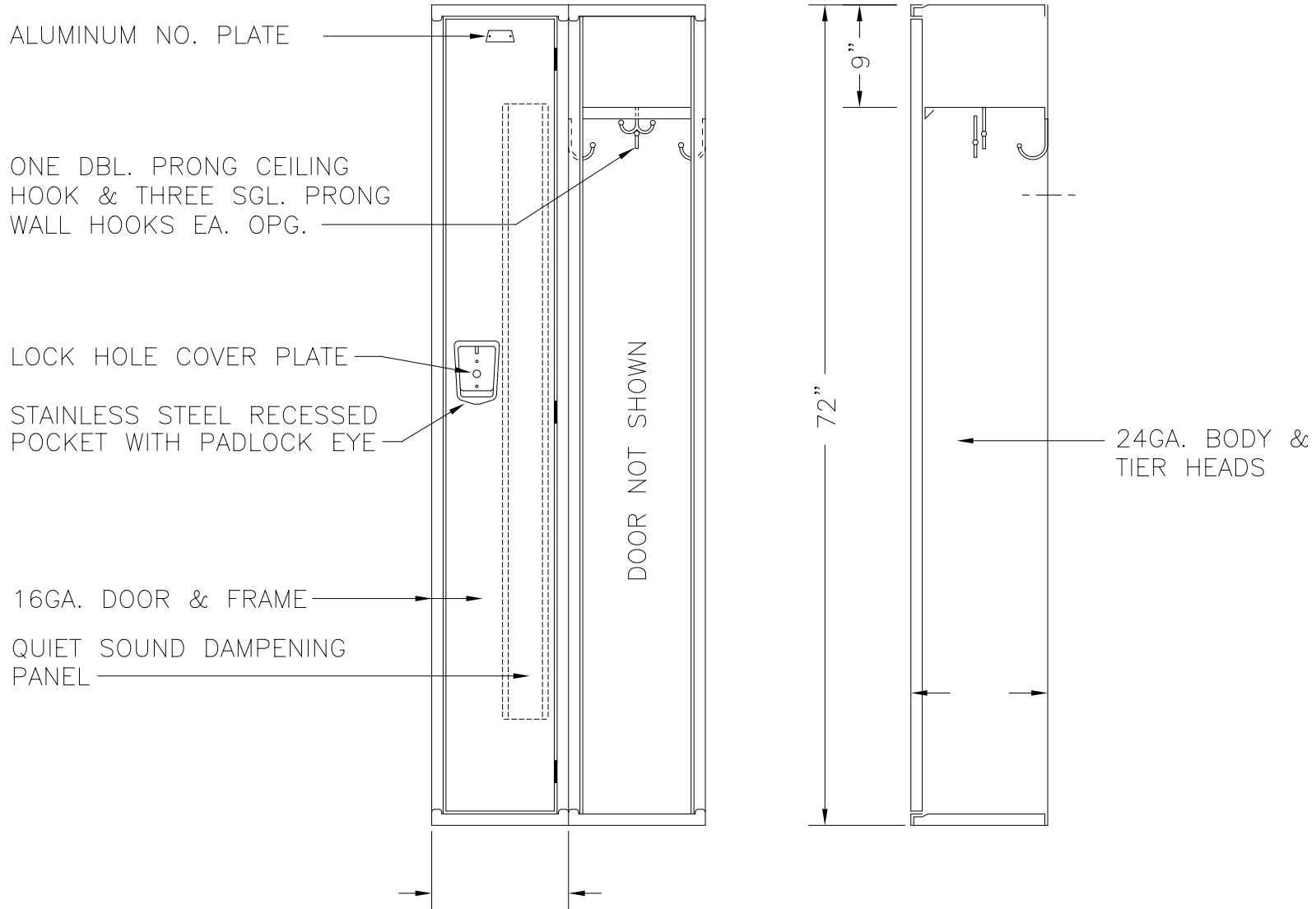
This drawing shows a standard Penco Product. Any modifications to the product must be approved by Penco Engineering. 8/6/2001



121260GM.dwg

Sold By
SchoolLockers.com

877.952.0151



ELEVATION

SECTION @ WALL

72" HIGH SINGLE TIER GUARDIAN KNOCKDOWN LOCKER W/ MEDALLION OPTION

12" WIDE, ALLOW 1/16" CREEPAGE PER FRAME
TYPICAL FOR 12" & 15" DEEP

This drawing shows a standard Penco Product. Any modifications to the product must be approved by Penco Engineering. 8/6/2001



121272GM.dwg

Sold By
SchoolLockers.com

877.952.0151

ALUMINUM NO. PLATE

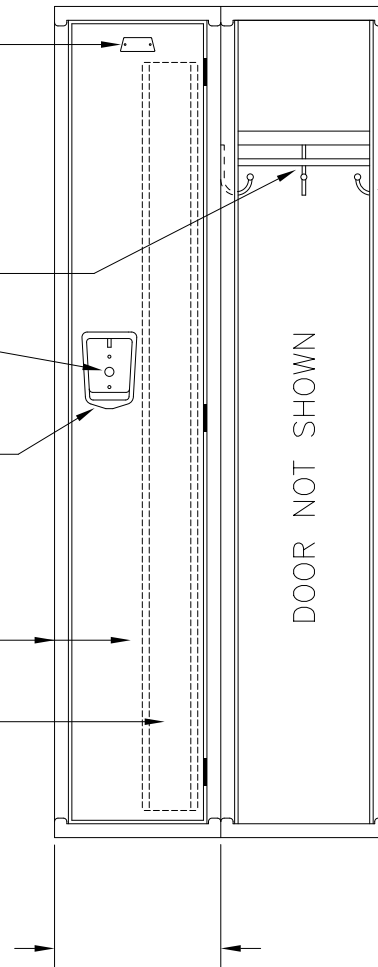
ONE COAT ROD &
THREE SGL. PRONG
WALL HOOKS EA. OPG.

LOCK HOLE COVER PLATE

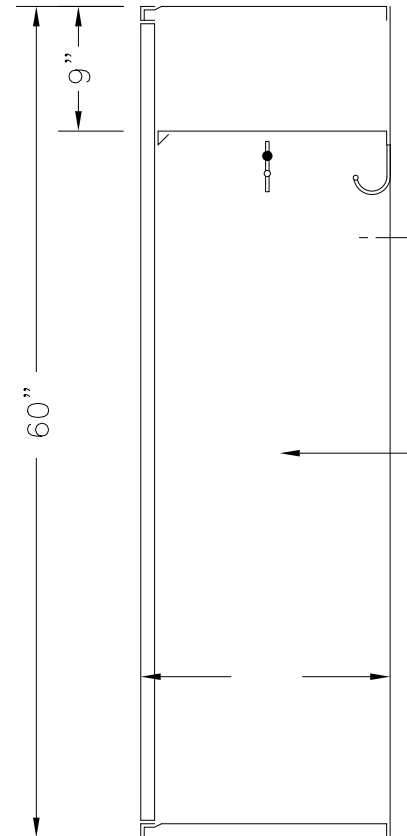
STAINLESS STEEL RECESSED
POCKET WITH PADLOCK EYE

16GA. DOOR & FRAME

QUIET SOUND DAMPENING
PANEL



ELEVATION



24GA. BODY &
TIER HEADS

SECTION @ WALL

60" HIGH SINGLE TIER GUARDIAN KNOCKDOWN LOCKER W/ MEDALLION OPTION

12" WIDE, ALLOW 1/16" CREEPAGE PER FRAME

TYPICAL FOR 18", 21", & 24" DEEP

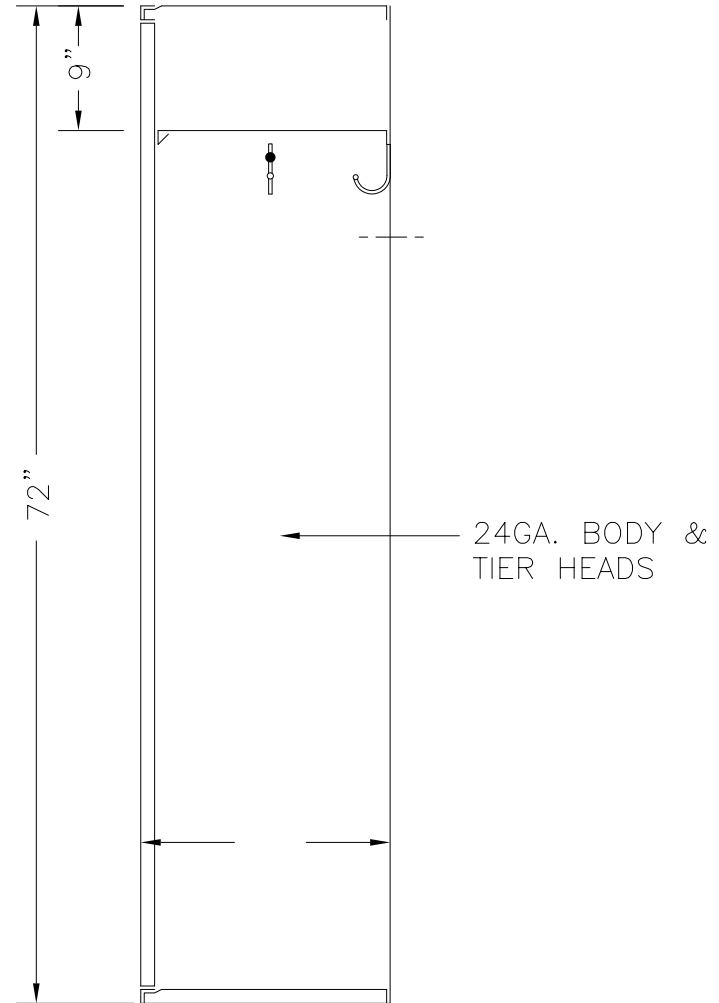
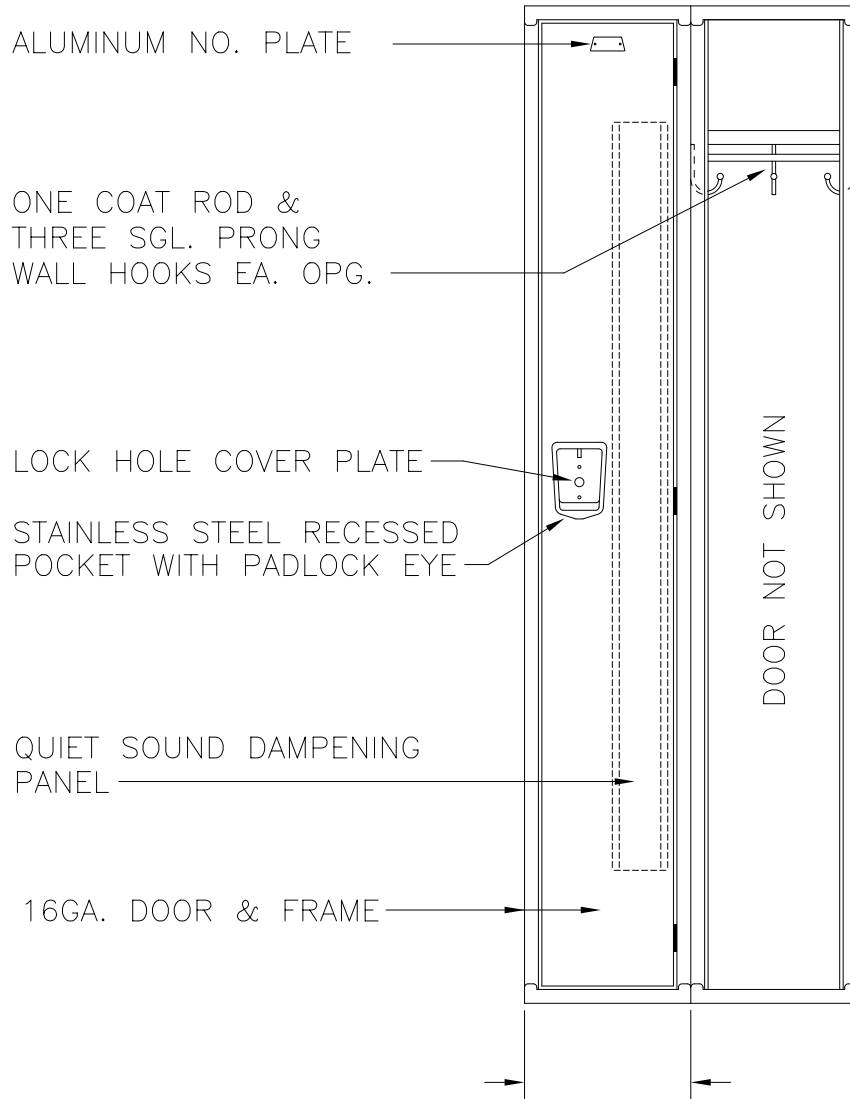
This drawing shows a standard Penco Product. Any modifications to the product must be approved by Penco Engineering. 8/6/2001



121860GM.dwg

Sold By
SchoolLockers.com

877.952.0151



ELEVATION

SECTION @ WALL

72" HIGH SINGLE TIER GUARDIAN KNOCKDOWN LOCKER W/ MEDALLION OPTION

12" WIDE, ALLOW 1/16" CREEPAGE PER FRAME
TYPICAL FOR 18", 21", & 24" DEEP

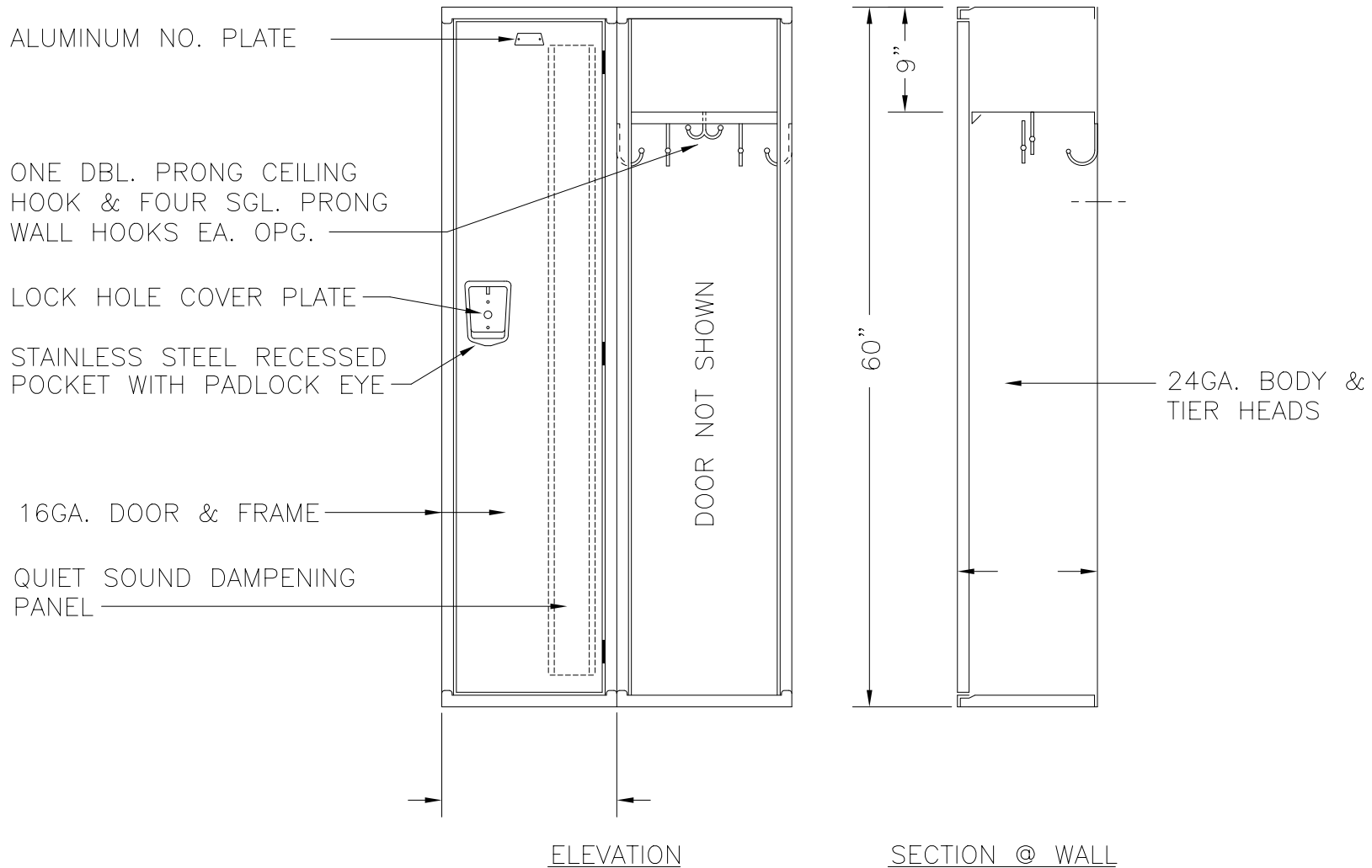
This drawing shows a standard Penco Product. Any modifications to the product must be approved by Penco Engineering. 8/6/2001



121872GM.dwg

Sold By
SchoolLockers.com

877.952.0151



60" HIGH SINGLE TIER GUARDIAN KNOCKDOWN LOCKER W/ MEDALLION OPTION
15" WIDE, ALLOW 1/16" CREEPAGE PER FRAME
TYPICAL FOR 12" & 15" DEEP

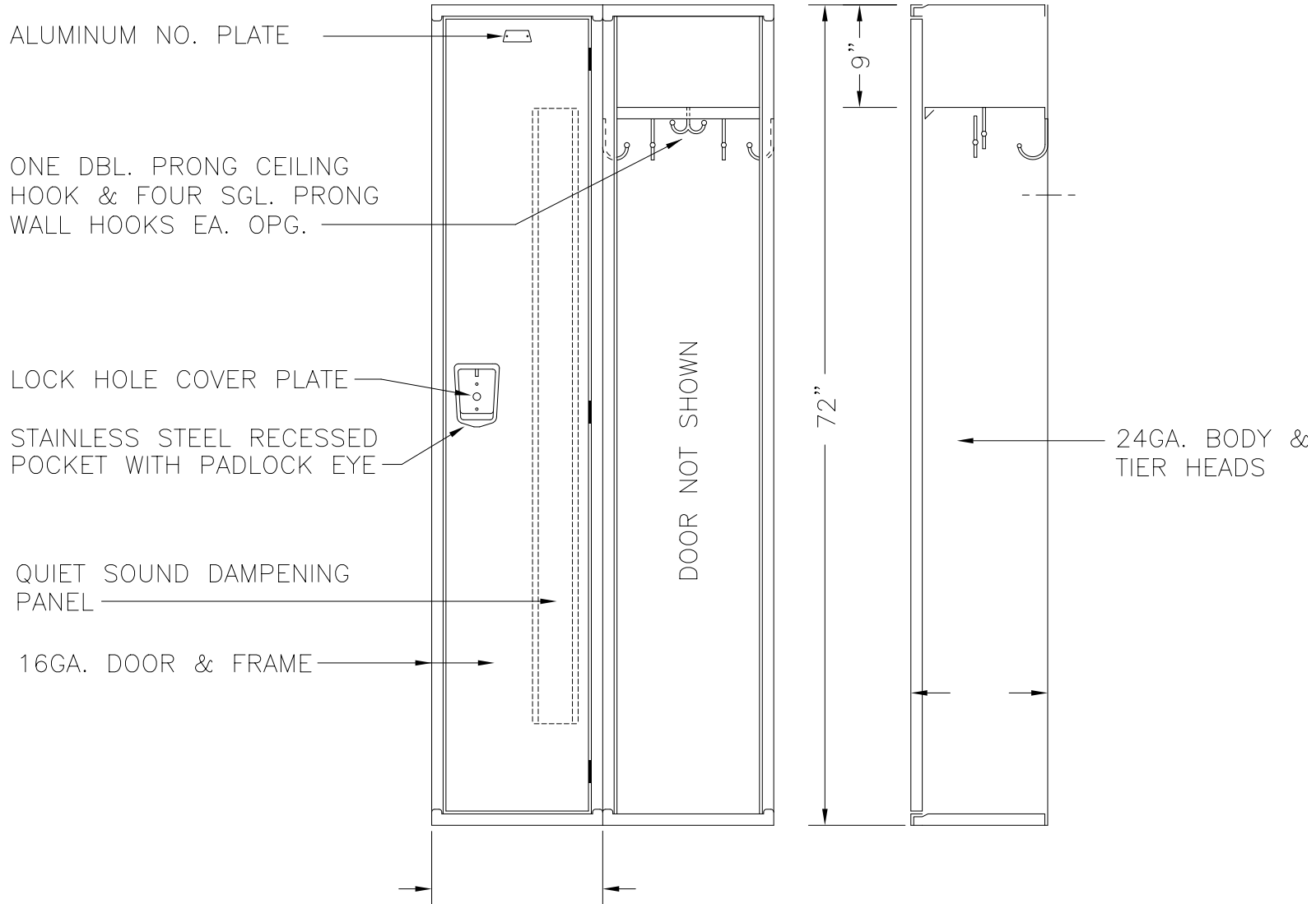
This drawing shows a standard Penco Product. Any modifications to the product must be approved by Penco Engineering. 8/6/2001



151260GM.dwg

Sold By
SchoolLockers.com

877.952.0151



ELEVATION SECTION @ WALL
72" HIGH SINGLE TIER GUARDIAN KNOCKDOWN LOCKER W/ MEDALLION LOCKER

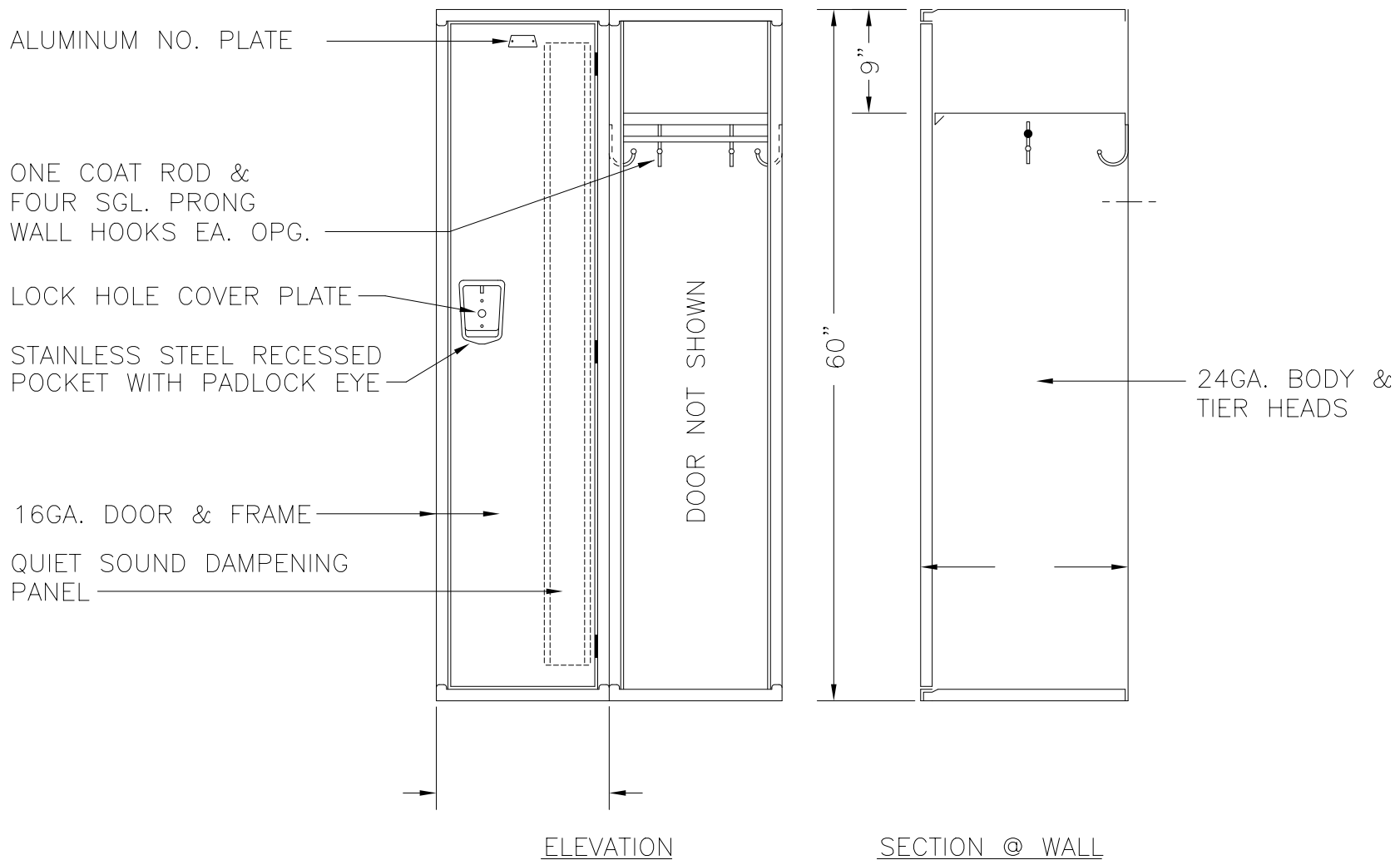
15" WIDE, ALLOW 1/16" CREEPAGE PER FRAME
TYPICAL FOR 12" & 15" DEEP

This drawing shows a standard Penco Product. Any modifications to the product must be approved by Penco Engineering. 8/6/2001



Sold By
SchoolLockers.com

877.952.0151



60" HIGH SINGLE TIER GUARDIAN KNOCKDOWN LOCKER W/ MEDALLION OPTION
15" WIDE, ALLOW 1/16" CREEPAGE PER FRAME
TYPICAL FOR 18", 21", & 24" DEEP

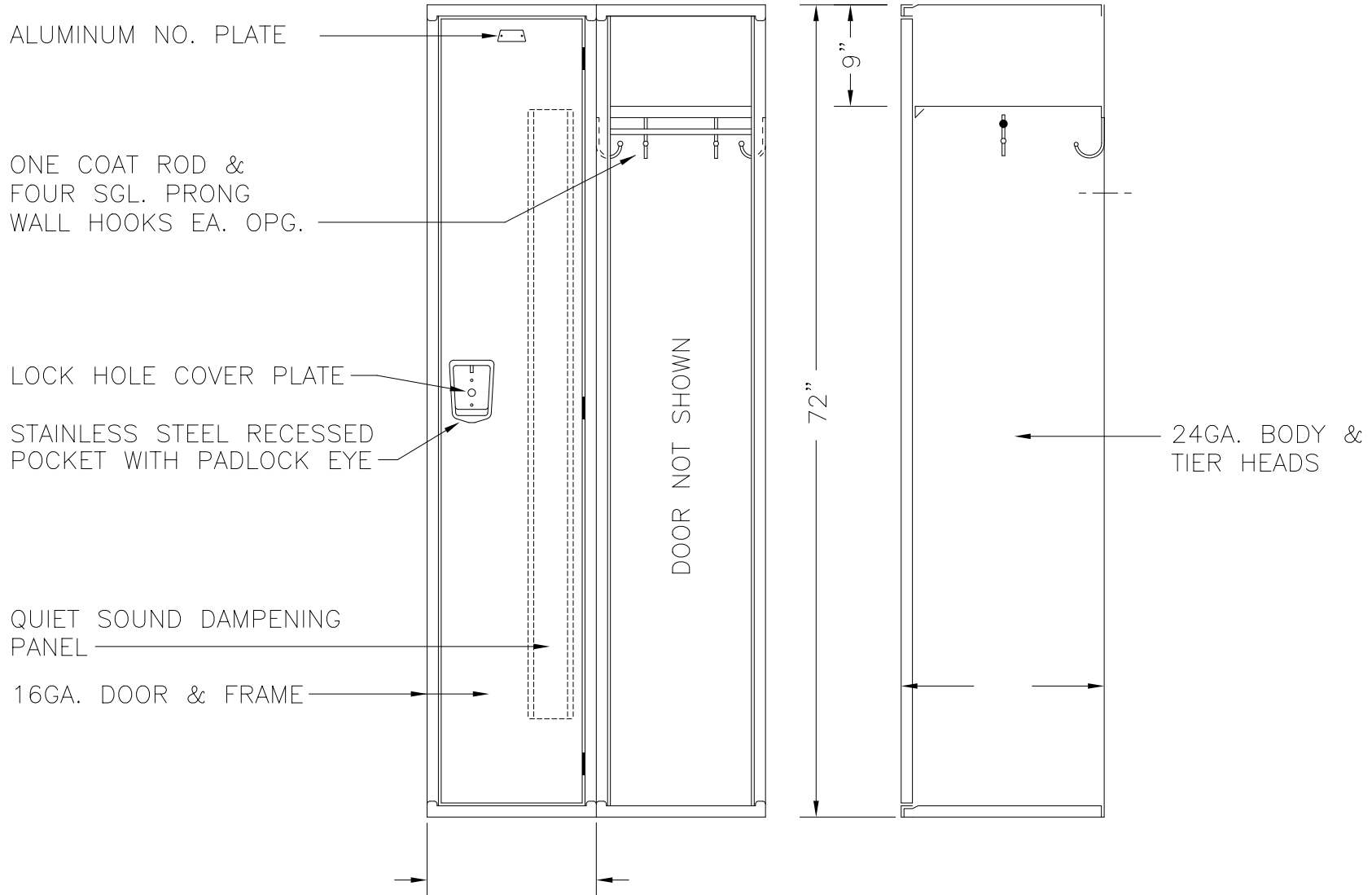
This drawing shows a standard Penco Product. Any modifications to the product must be approved by Penco Engineering. 8/6/2001



151860GM.dwg

Sold By
SchoolLockers.com

877.952.0151



ELEVATION SECTION @ WALL
72" HIGH SINGLE TIER GUARDIAN KNOCKDOWN LOCKER W/ MEDALLION OPTION

This drawing shows a standard Penco Product. Any modifications to the product must be approved by Penco Engineering. 8/6/2001

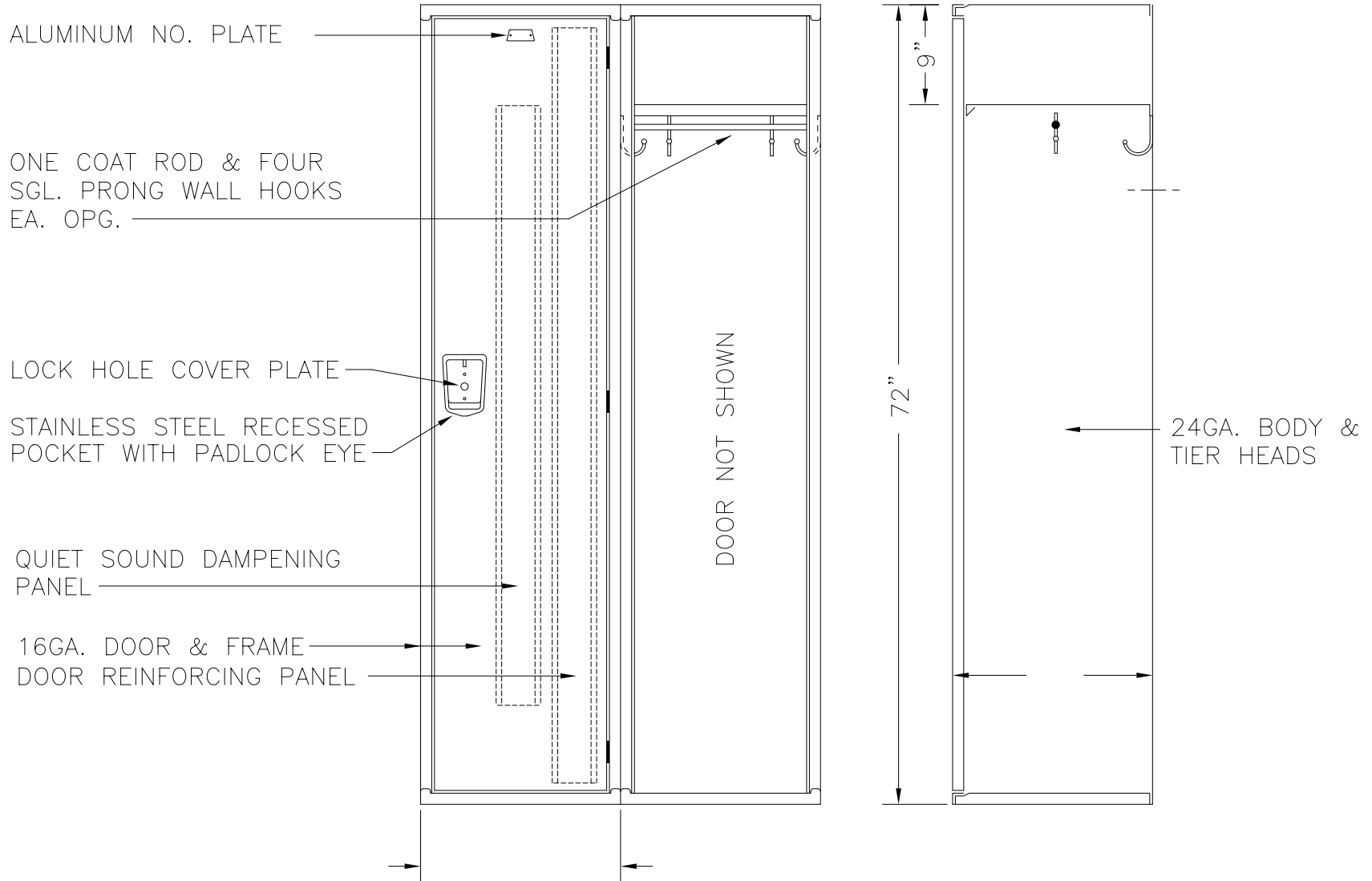
15" WIDE, ALLOW 1/16" CREEPAGE PER FRAME
TYPICAL FOR 18", 21" & 24" DEEP



151872GM.dwg

Sold By
SchoolLockers.com

877.952.0151



ELEVATION SECTION @ WALL
72" HIGH SINGLE TIER GUARDIAN KNOCKDOWN LOCKER W/ MEDALLION OPTION

This drawing shows a standard Penco Product. Any modifications to the product must be approved by Penco Engineering. 8/6/2001

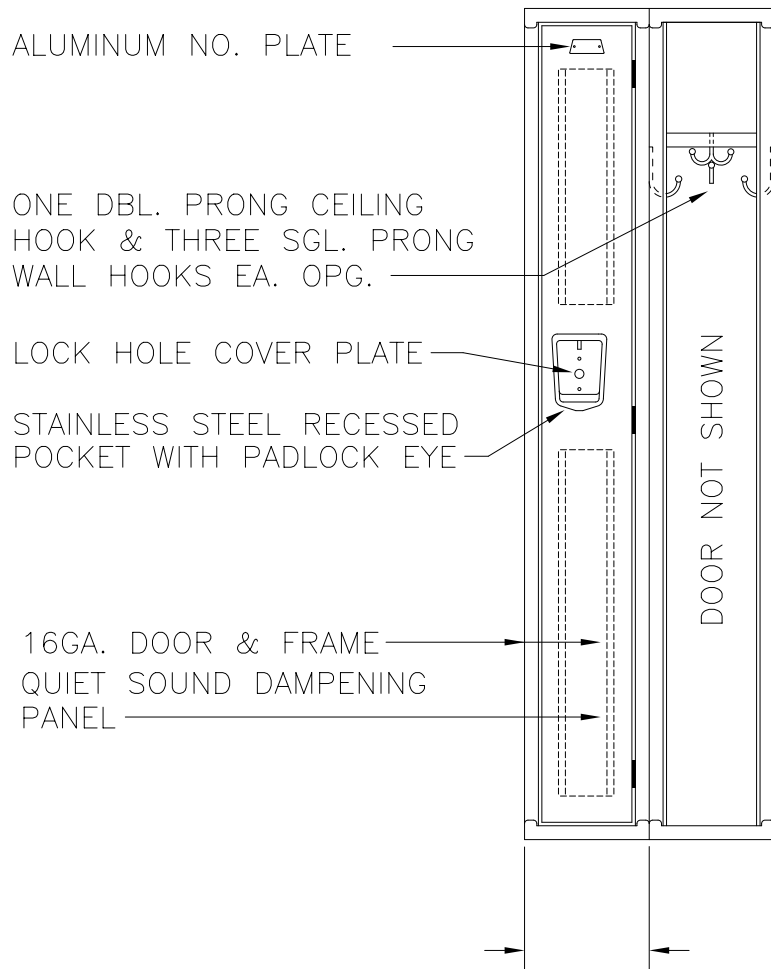
18" WIDE, ALLOW 1/16" CREEPAGE PER FRAME
TYPICAL FOR 18", 21", & 24" DEEP



181872GM.dwg

Sold By
SchoolLockers.com

877.952.0151



ALUMINUM NO. PLATE

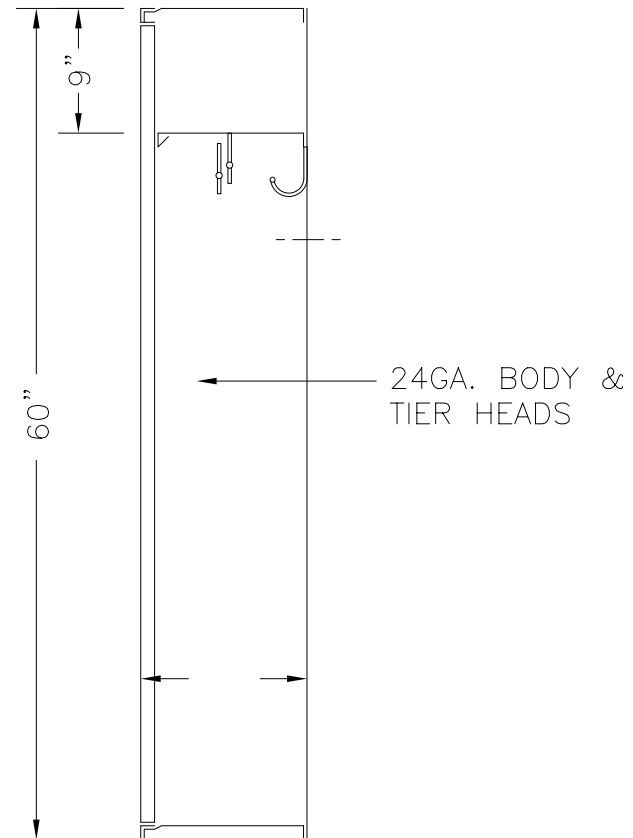
ONE DBL. PRONG CEILING
HOOK & THREE SGL. PRONG
WALL HOOKS EA. OPG.

LOCK HOLE COVER PLATE

STAINLESS STEEL RECESSED
POCKET WITH PADLOCK EYE

16GA. DOOR & FRAME
QUIET SOUND DAMPENING
PANEL

DOOR NOT SHOWN



9"

60"

24GA. BODY &
TIER HEADS

ELEVATION

SECTION @ WALL

60" HIGH SINGLE TIER GUARDIAN KNOCKDOWN LOCKER W/ MEDALLION OPTION

9" WIDE, ALLOW 1/16" CREEPAGE PER FRAME
TYPICAL FOR 12" & 15" DEEP

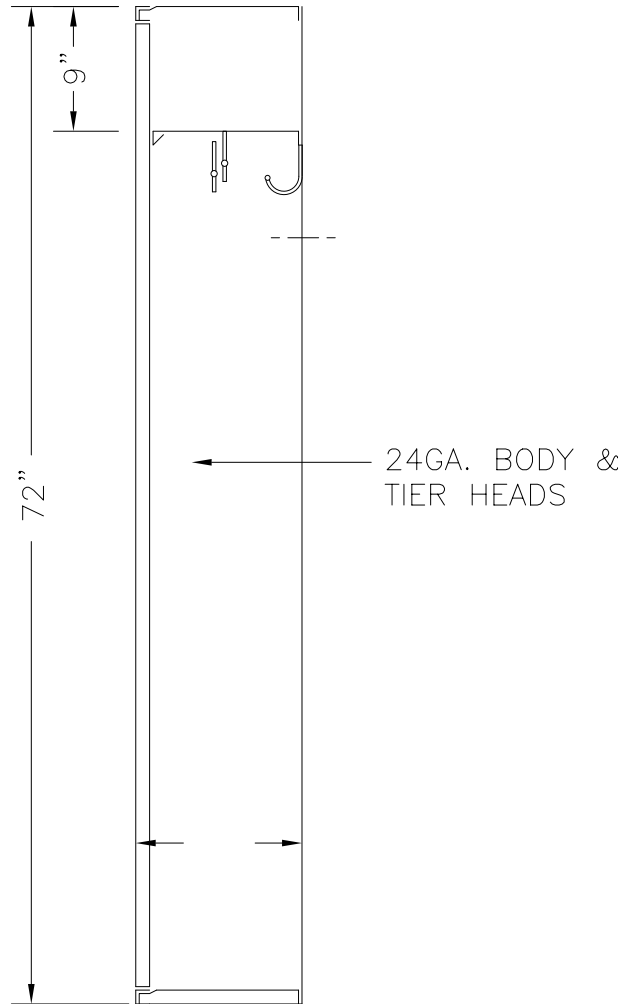
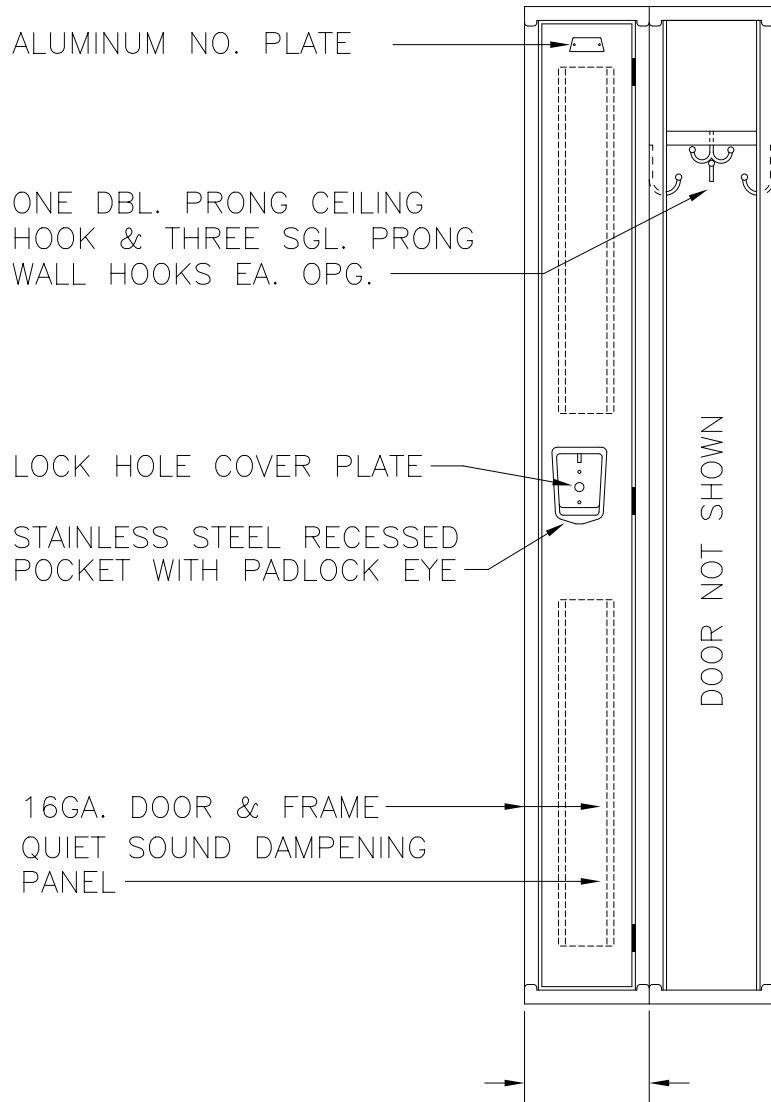
This drawing shows a standard Penco Product. Any modifications to the product must be approved by Penco Engineering. 8/6/2001



91260GM.dwg

Sold By
SchoolLockers.com

877.952.0151



ELEVATION

SECTION @ WALL

72" HIGH SINGLE TIER GUARDIAN KNOCKDOWN LOCKER W/ MEDALLION OPTION

9" WIDE, ALLOW 1/16" CREEPAGE PER FRAME
TYPICAL FOR 12" & 15" DEEP

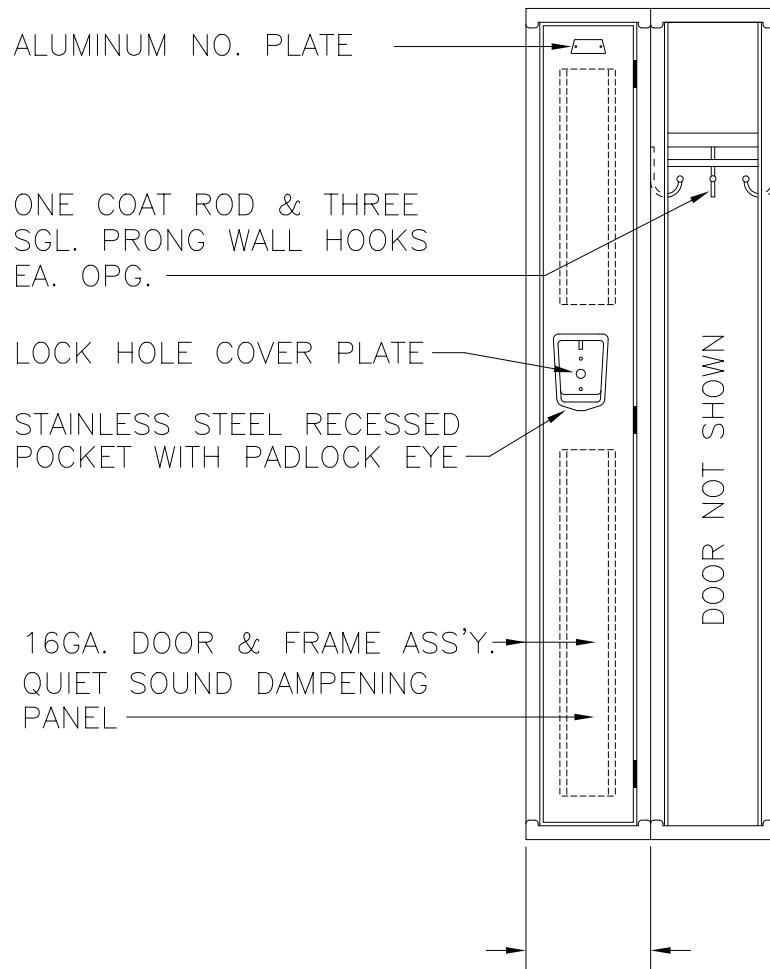
This drawing shows a standard Penco Product. Any modifications to the product must be approved by Penco Engineering. 8/6/2001



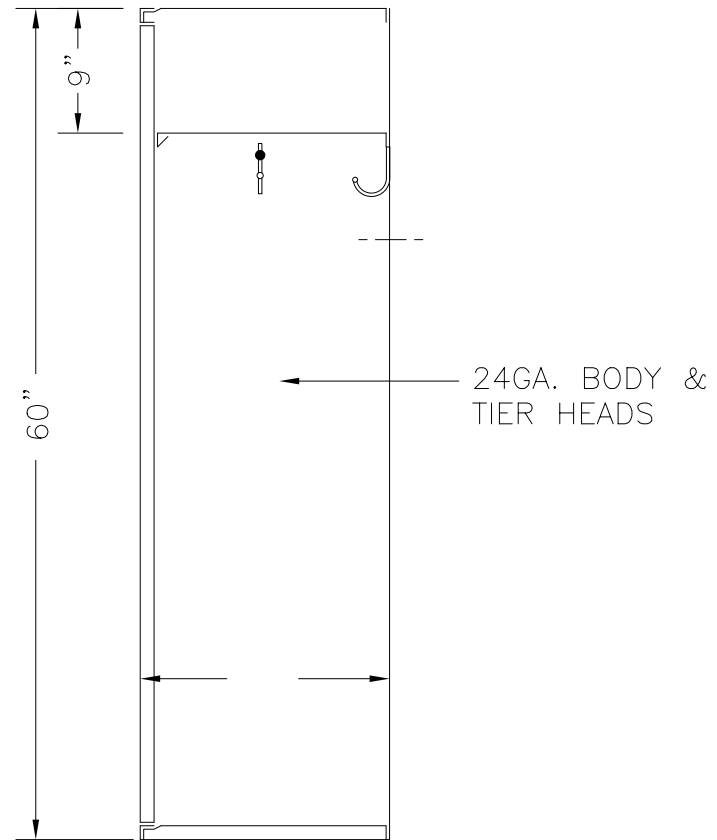
91272GM.dwg

Sold By
SchoolLockers.com

877.952.0151



ELEVATION



SECTION @ WALL

60" HIGH SINGLE TIER GUARDIAN KNOCKDOWN LOCKER W/ MEDALLION OPTION

9" WIDE, ALLOW 1/16" CREEPAGE PER FRAME
18" DEEP

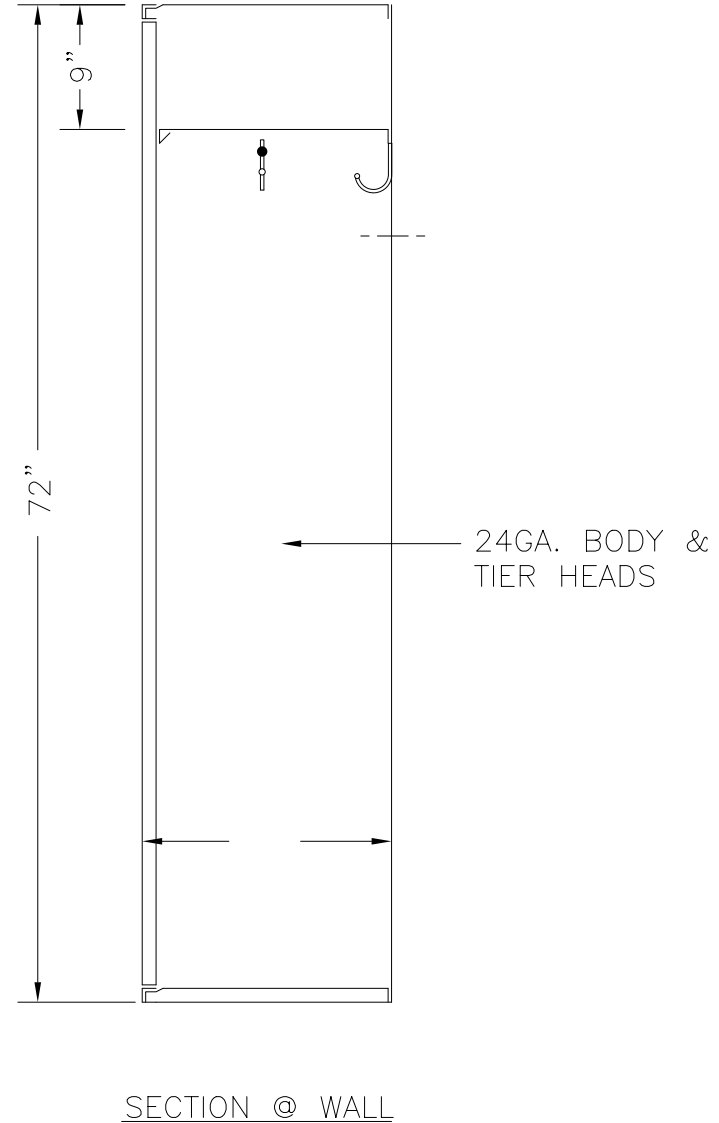
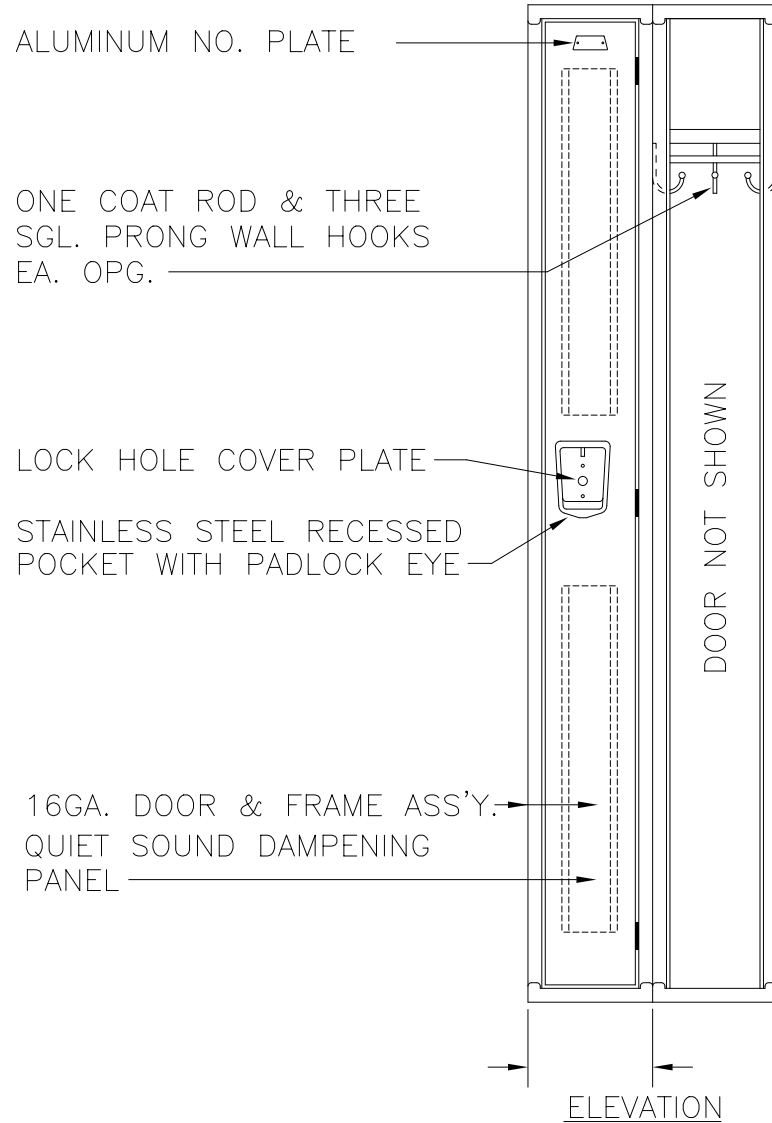
This drawing shows a standard Penco Product. Any modifications to the product must be approved by Penco Engineering. 8/6/2001



91860GM.dwg

Sold By
SchoolLockers.com

877.952.0151



72" HIGH SINGLE TIER GUARDIAN KNOCKDOWN LOCKER W/ MEDALLION OPTION

9" WIDE, ALLOW 1/16" CREEPAGE PER FRAME
18" DEEP

This drawing shows a standard Penco Product. Any modifications to the product must be approved by Penco Engineering. 8/6/2001



91872GM.dwg