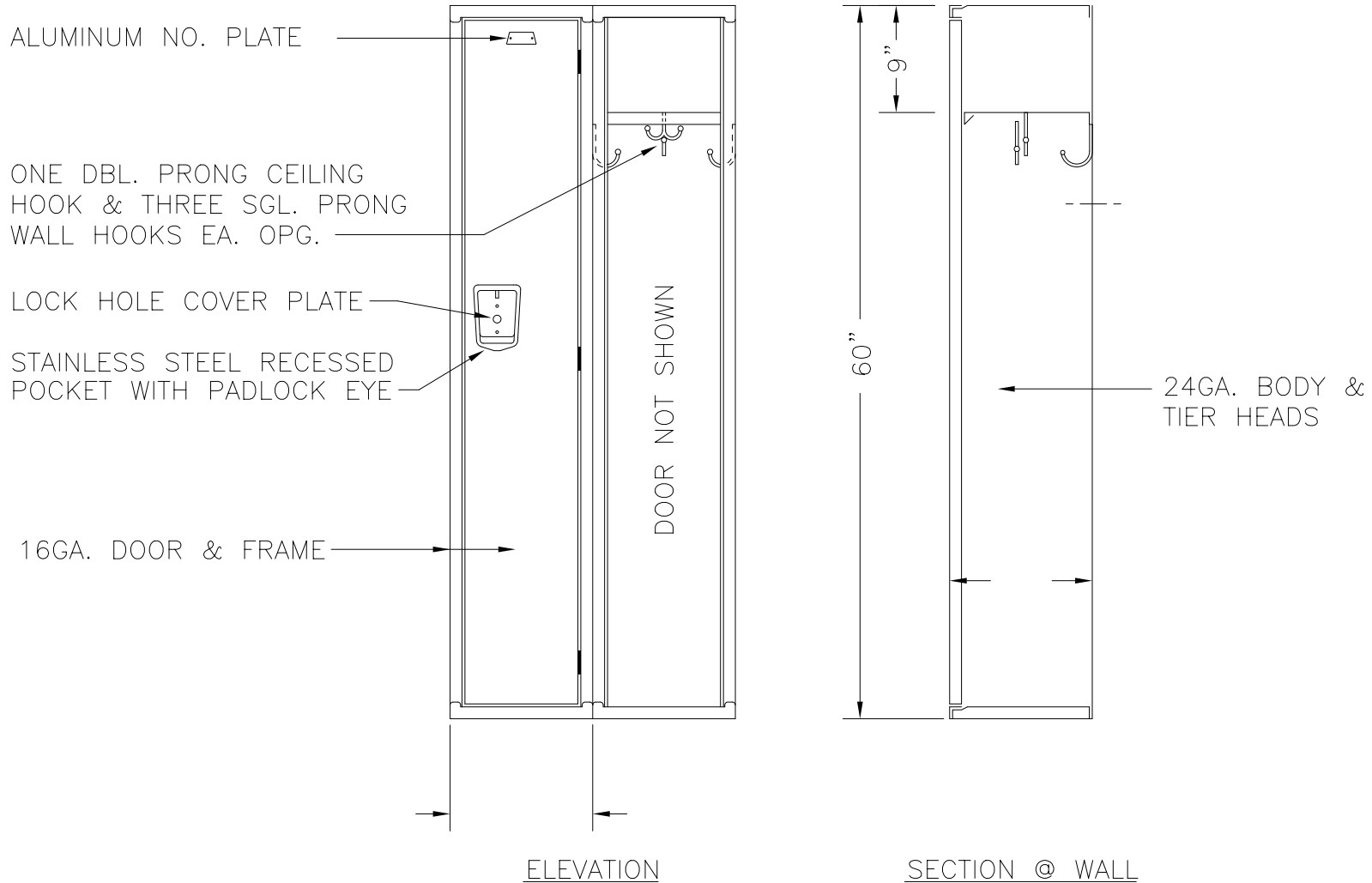


Sold By
SchoolLockers.com

877.952.0151



60" HIGH SINGLE TIER GUARDIAN KNOCKDOWN LOCKER

TYPICAL FOR 9" & 12" WIDE, ALLOW 1/16" CREEPAGE PER FRAME
TYPICAL FOR 12" & 15" DEEP

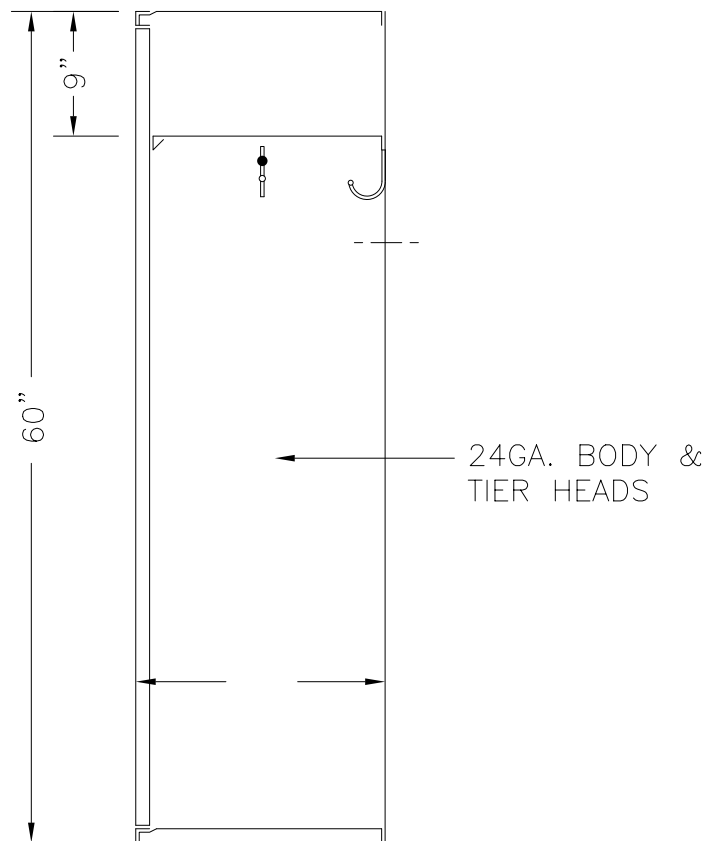
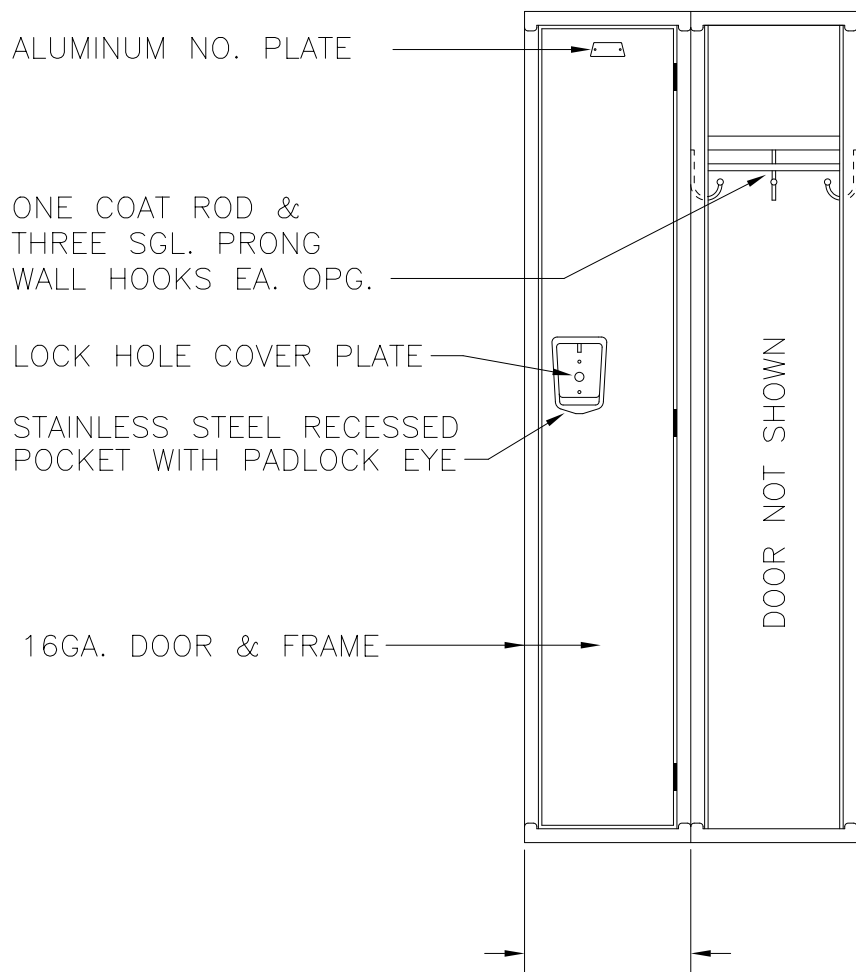
This drawing shows a standard Penco Product. Any modifications to the product must be approved by Penco Engineering. 8/6/2001



121260G.dwg

Sold By
SchoolLockers.com

877.952.0151



ELEVATION

SECTION @ WALL

60" HIGH SINGLE TIER GUARDIAN KNOCKDOWN LOCKER

TYPICAL FOR 9" & 12" WIDE, ALLOW 1/16" CREEPAGE PER FRAME

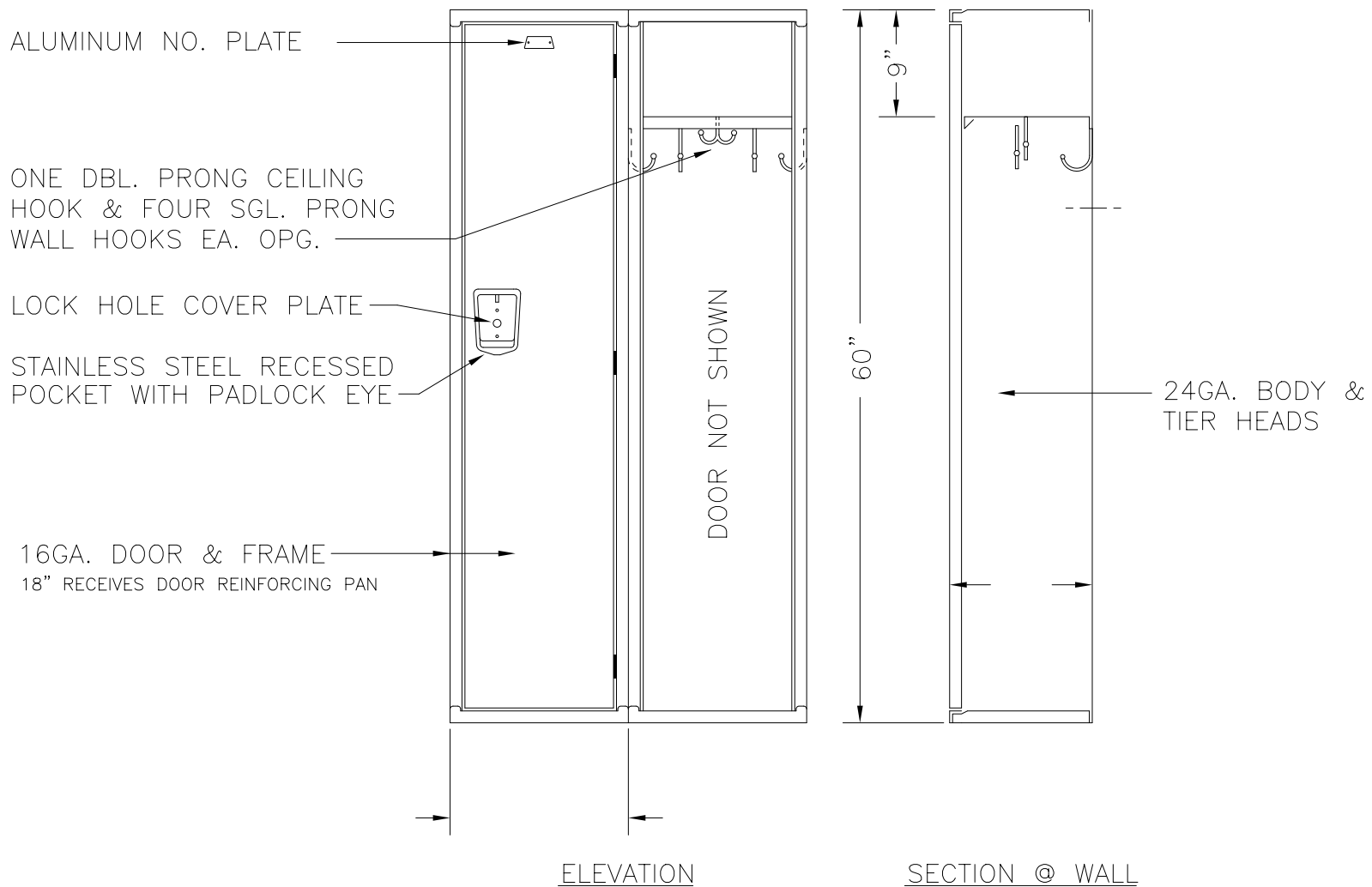
TYPICAL FOR 18", 21", & 24" DEEP

This drawing shows a standard Penco Product. Any modifications to the product must be approved by Penco Engineering. 8/6/2001



Sold By
SchoolLockers.com

877.952.0151



60" HIGH SINGLE TIER GUARDIAN KNOCKDOWN LOCKER
TYPICAL FOR 15" & 18" WIDE, ALLOW 1/16" CREEPAGE PER FRAME
TYPICAL FOR 12" & 15" DEEP

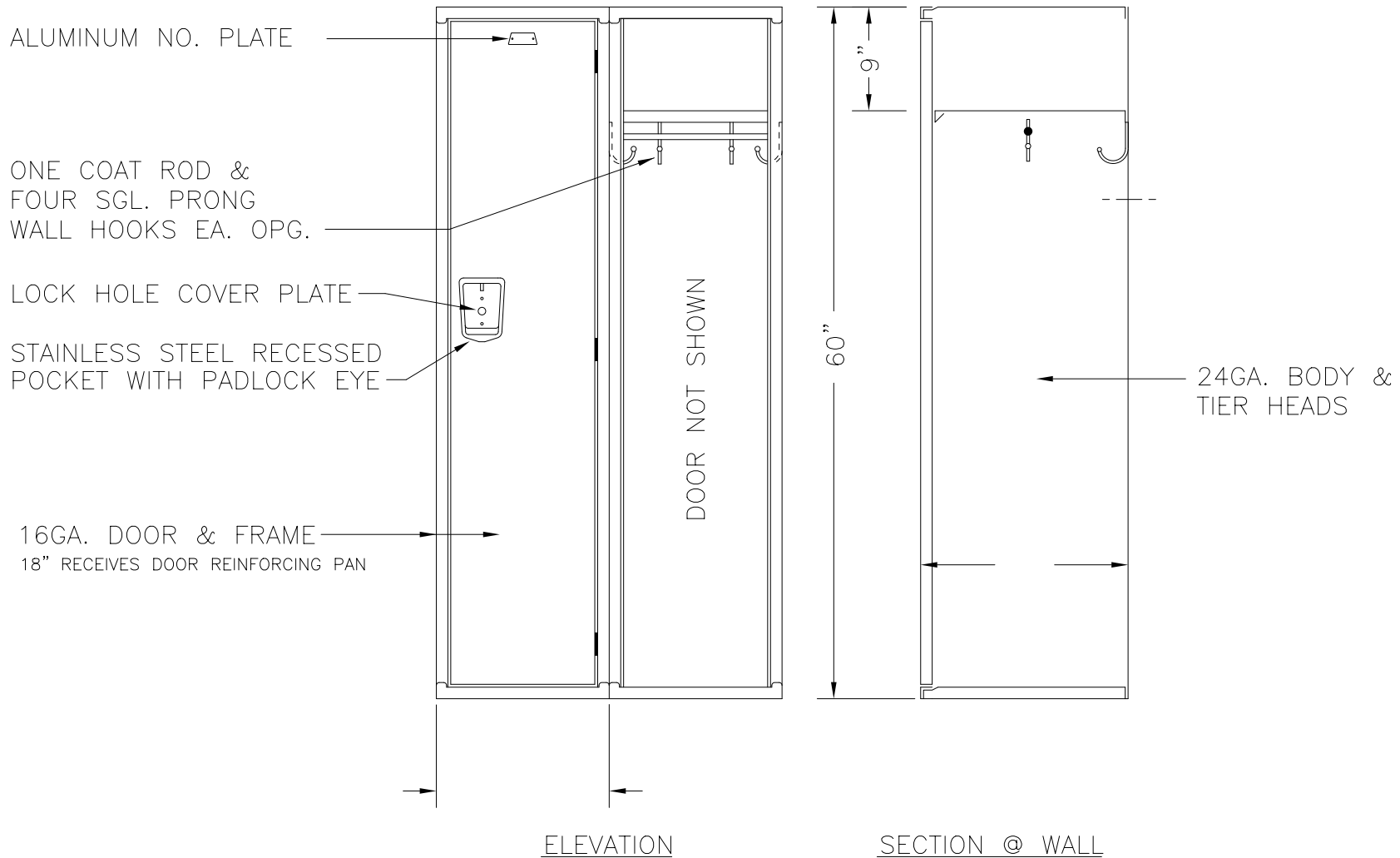
This drawing shows a standard Penco Product. Any modifications to the product must be approved by Penco Engineering. 8/6/2001



151260G.dwg

Sold By
SchoolLockers.com

877.952.0151



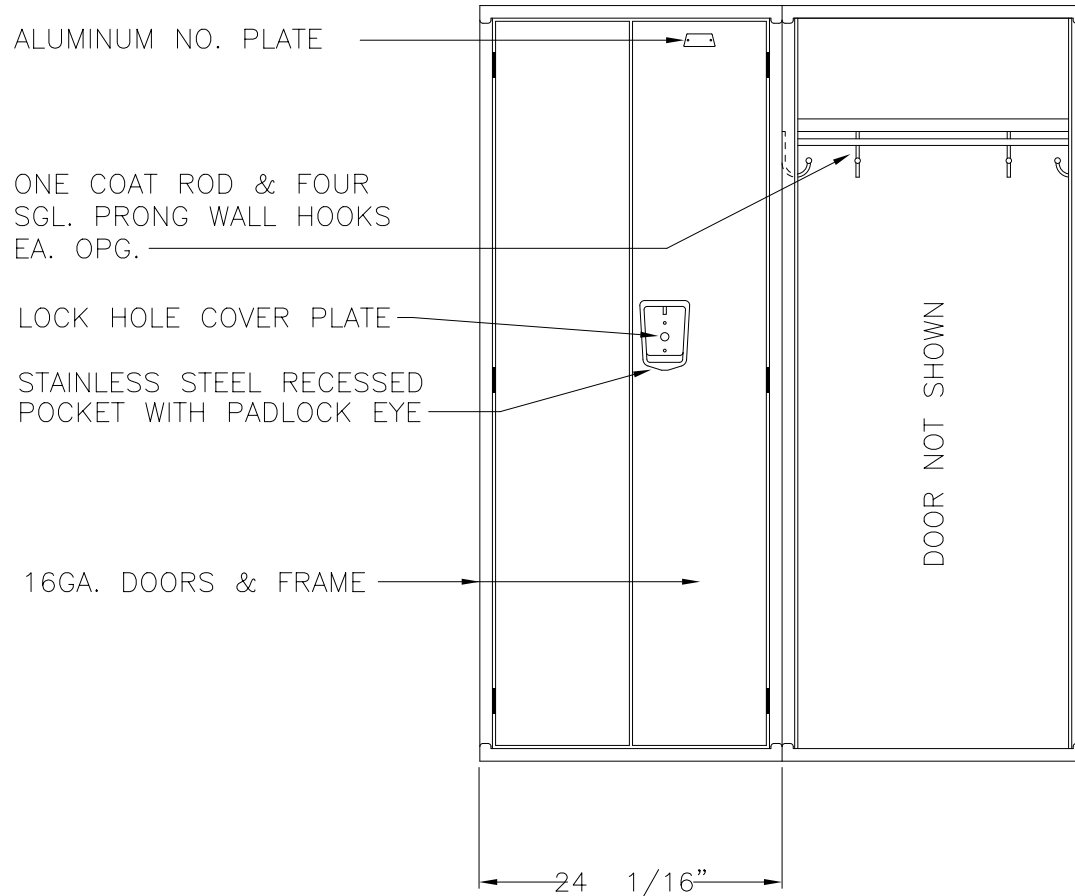
60" HIGH SINGLE TIER GUARDIAN KNOCKDOWN LOCKER
TYPICAL FOR 15" & 18" WIDE, ALLOW 1/16" CREEPAGE PER FRAME
TYPICAL FOR 18", 21", & 24" DEEP

This drawing shows a standard Penco Product. Any modifications to the product must be approved by Penco Engineering. 8/6/2001

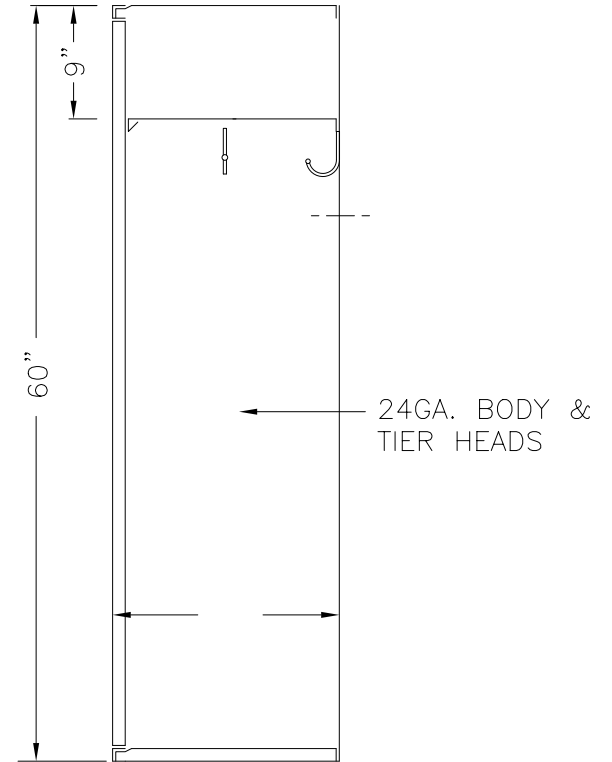


Sold By
SchoolLockers.com

877.952.0151



ELEVATION



SECTION @ WALL

60" HIGH SINGLE TIER DOUBLE DOOR GUARDIAN KNOCKDOWN LOCKER

This drawing shows a standard Penco Product. Any modifications to the product must be approved by Penco Engineering. 8/6/2001

24" WIDE, ALLOW 1/16" CREEPAGE PER FRAME
TYPICAL FOR 18", 21", & 24" DEEP



241860GDD.dwg