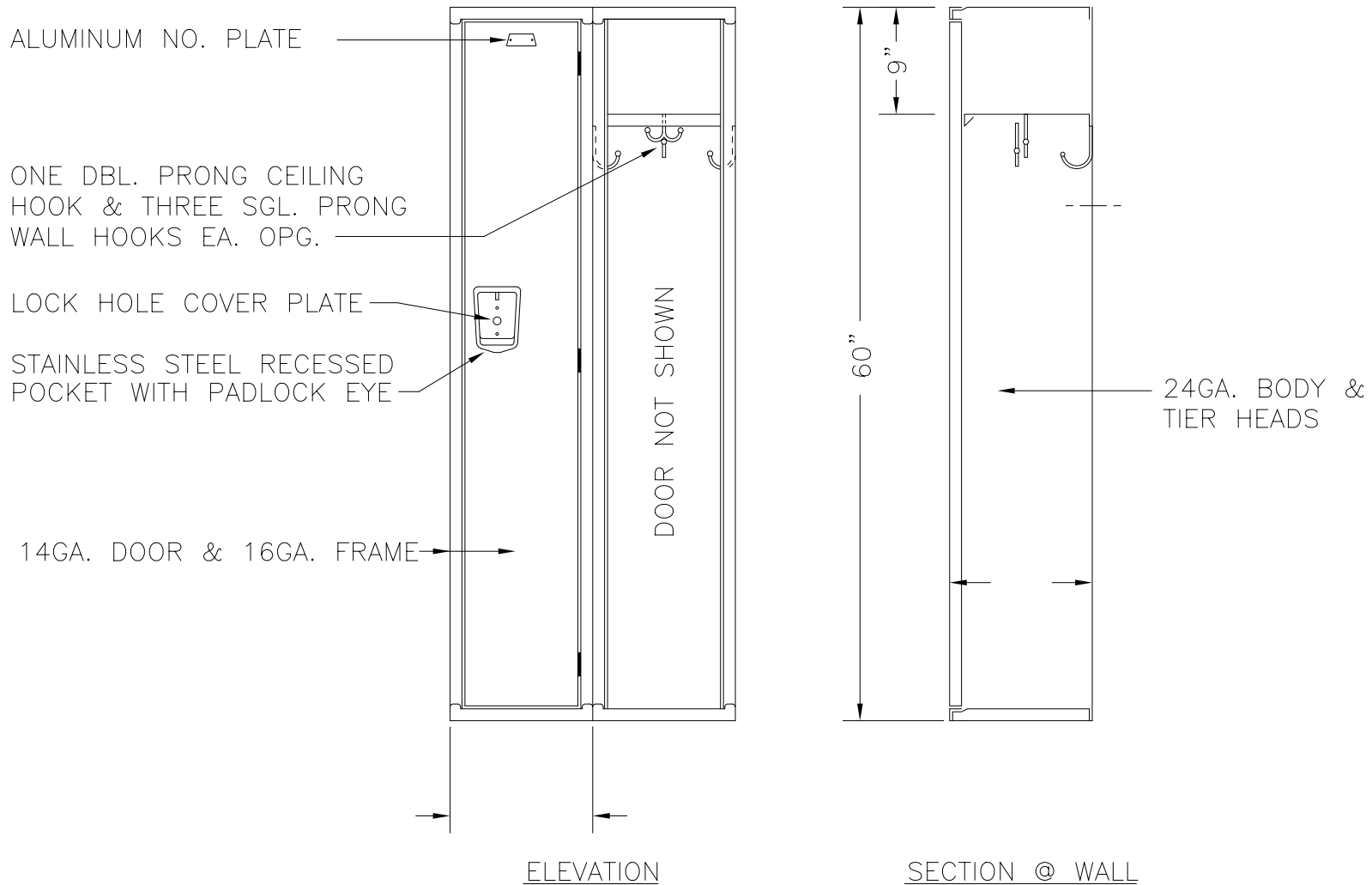


Sold By
SchoolLockers.com

877.952.0151



60" HIGH SINGLE TIER GUARDIAN PLUS KNOCKDOWN LOCKER

TYPICAL FOR 9" & 12" WIDE, ALLOW 1/16" CREEPAGE PER FRAME
TYPICAL FOR 12" & 15" DEEP

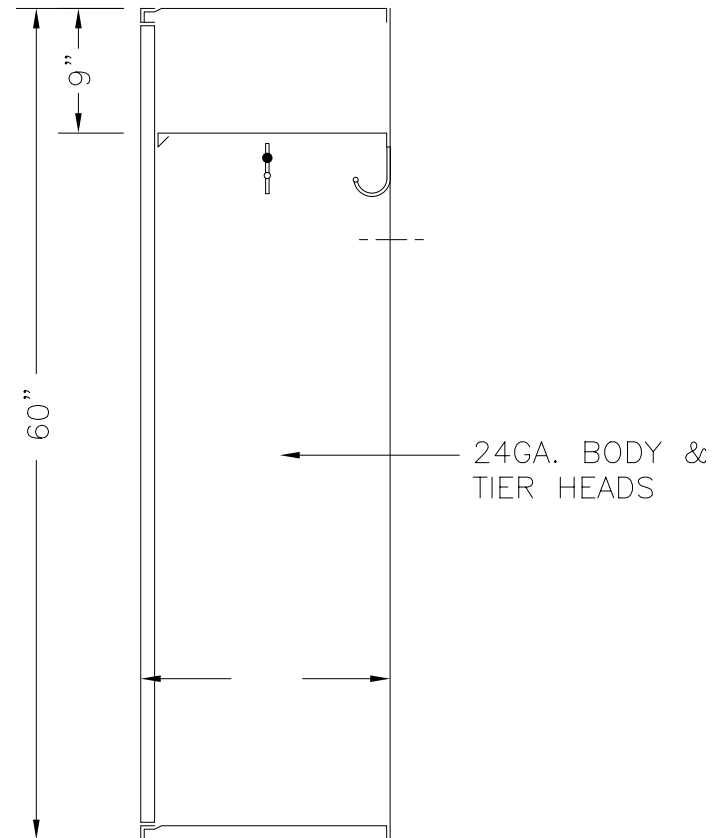
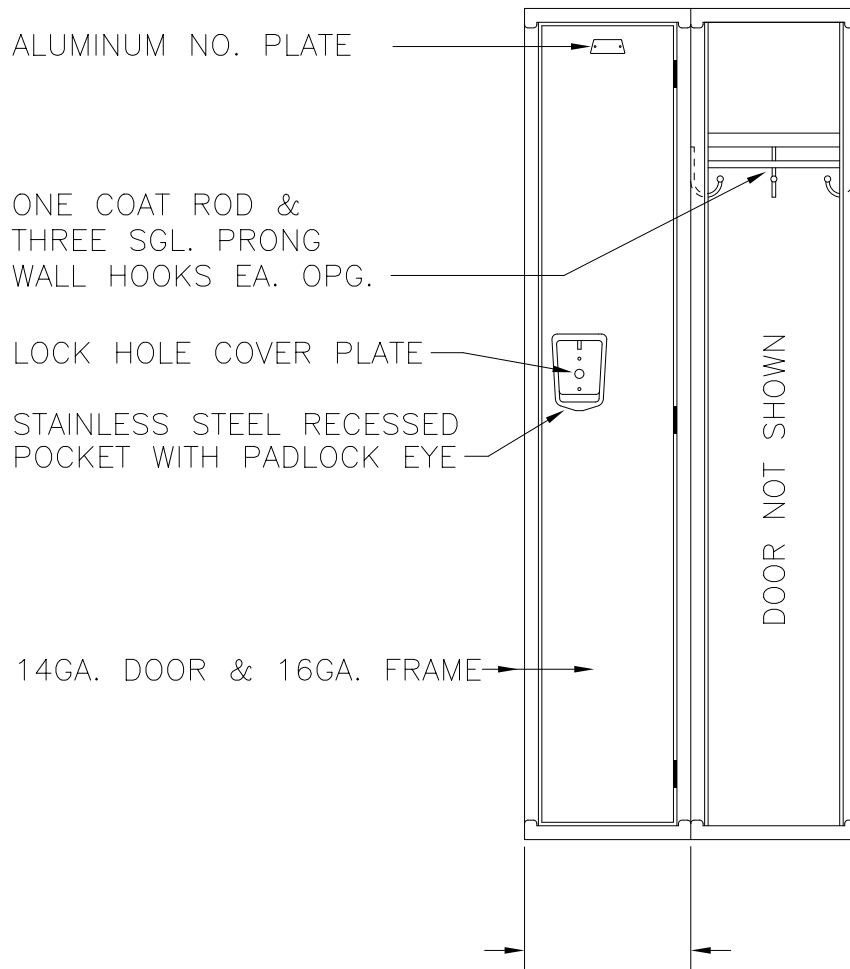
This drawing shows a standard Penco Product. Any modifications to the product must be approved by Penco Engineering. 8/6/2001



121260GP.dwg

Sold By
SchoolLockers.com

877.952.0151



ELEVATION

SECTION @ WALL

60" HIGH SINGLE TIER GUARDIAN PLUS KNOCKDOWN LOCKER

TYPICAL FOR 9" & 12" WIDE, ALLOW 1/16" CREEPAGE PER FRAME

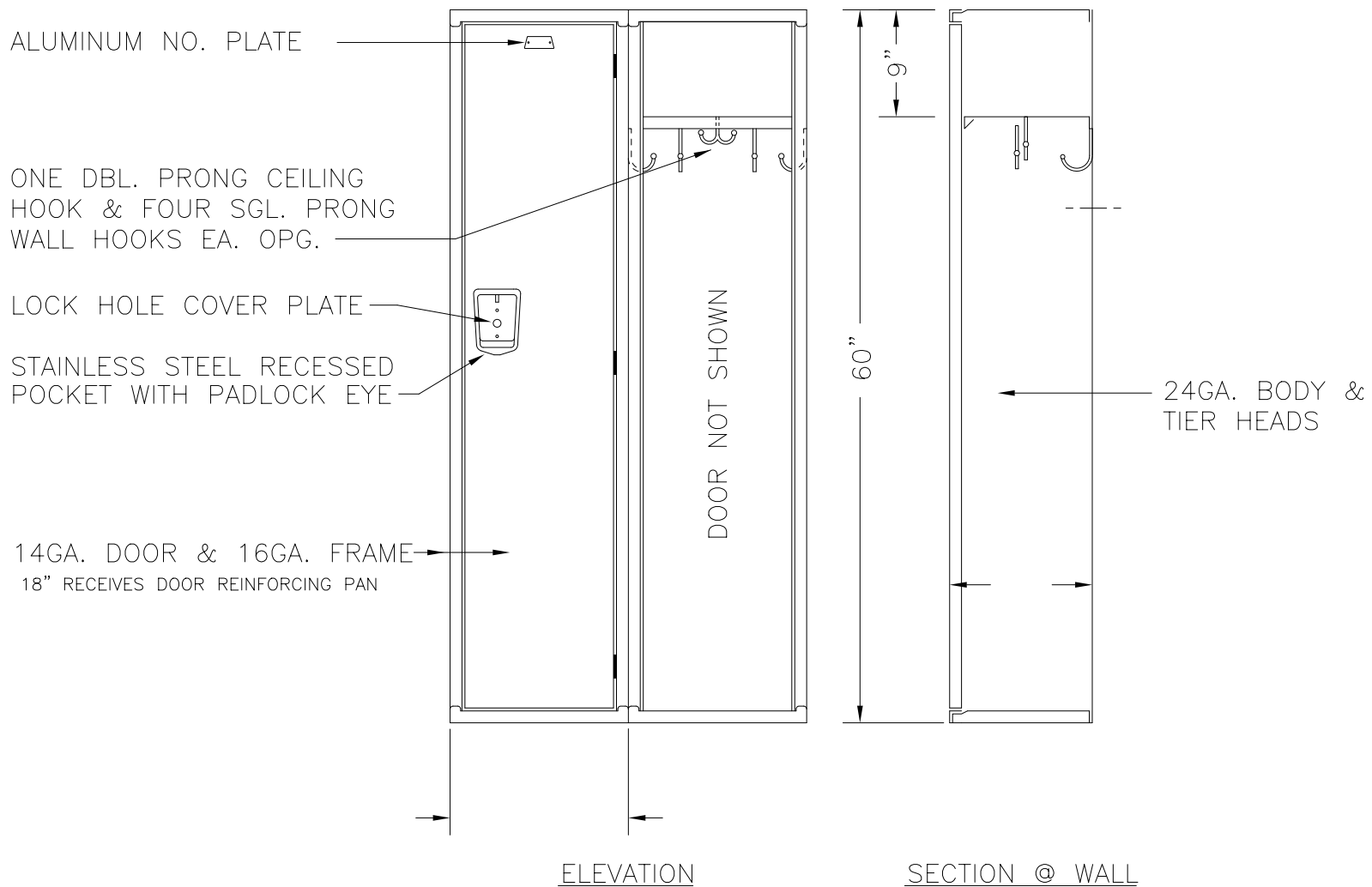
TYPICAL FOR 18", 21", & 24" DEEP

This drawing shows a standard Penco Product. Any modifications to the product must be approved by Penco Engineering. 8/6/2001



Sold By
SchoolLockers.com

877.952.0151



60" HIGH SINGLE TIER GUARDIAN PLUS KNOCKDOWN LOCKER
TYPICAL FOR 15" & 18" WIDE, ALLOW 1/16" CREEPAGE PER FRAME
TYPICAL FOR 12" & 15" DEEP

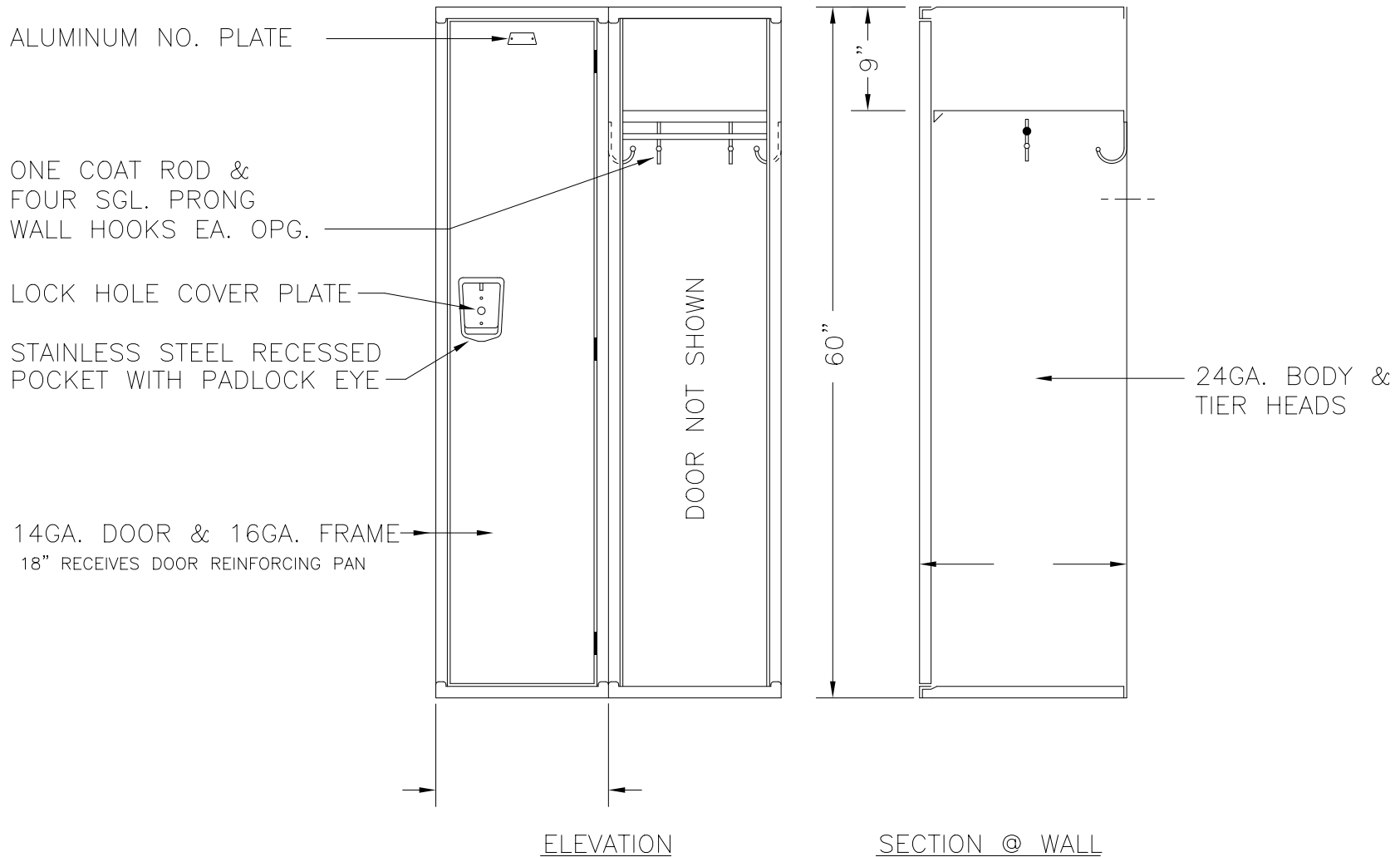
This drawing shows a standard Penco Product. Any modifications to the product must be approved by Penco Engineering. 8/6/2001



151260GP.dwg

Sold By
SchoolLockers.com

877.952.0151



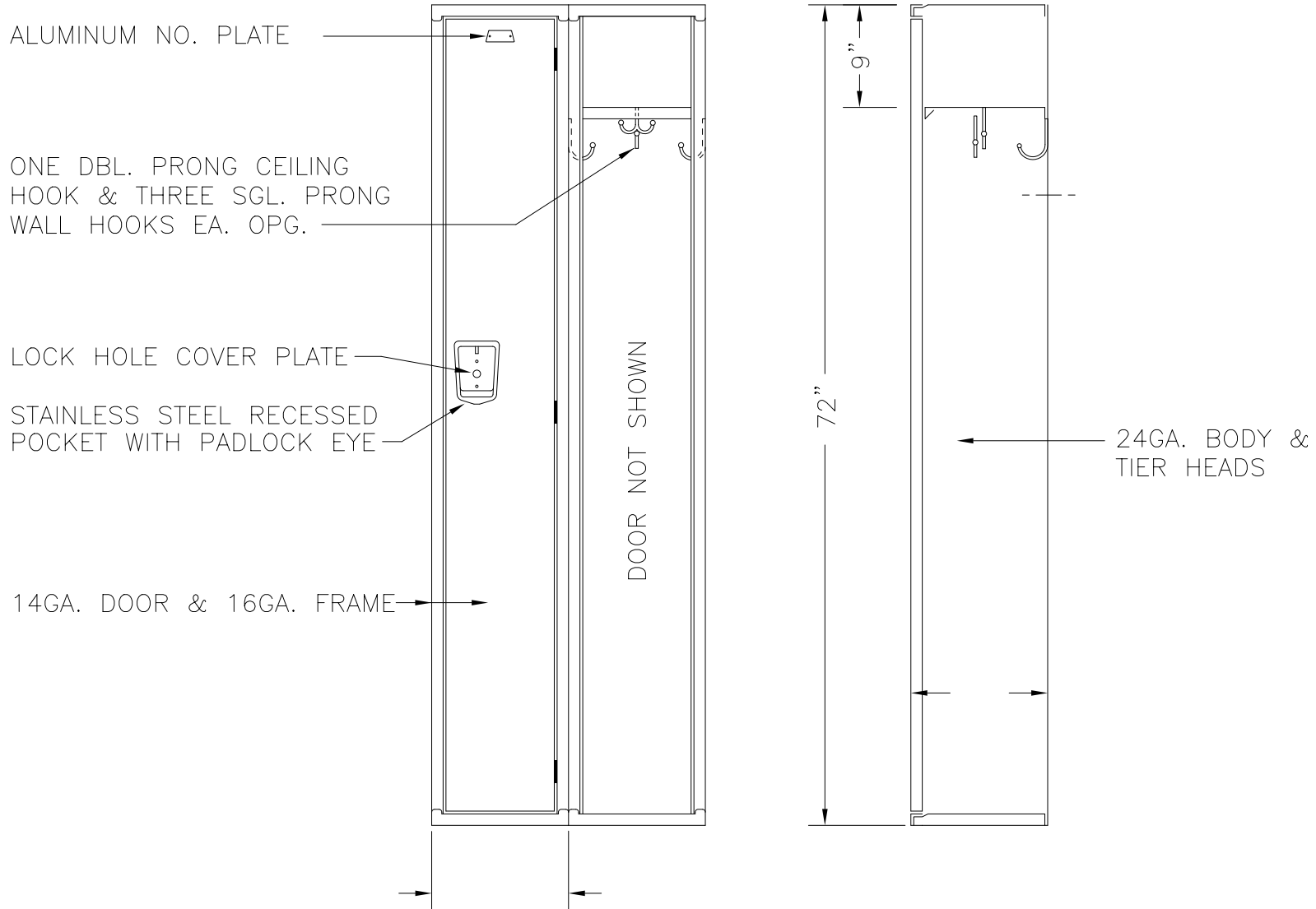
60" HIGH SINGLE TIER GUARDIAN PLUS KNOCKDOWN LOCKER
TYPICAL FOR 15" & 18" WIDE, ALLOW 1/16" CREEPAGE PER FRAME
TYPICAL FOR 18", 21", & 24" DEEP

This drawing shows a standard Penco Product. Any modifications to the product must be approved by Penco Engineering. 8/6/2001



Sold By
SchoolLockers.com

877.952.0151



ELEVATION

SECTION @ WALL

72" HIGH SINGLE TIER GUARDIAN PLUS KNOCKDOWN LOCKER

TYPICAL FOR 9" & 12" WIDE, ALLOW 1/16" CREEPAGE PER FRAME

TYPICAL FOR 12" & 15" DEEP

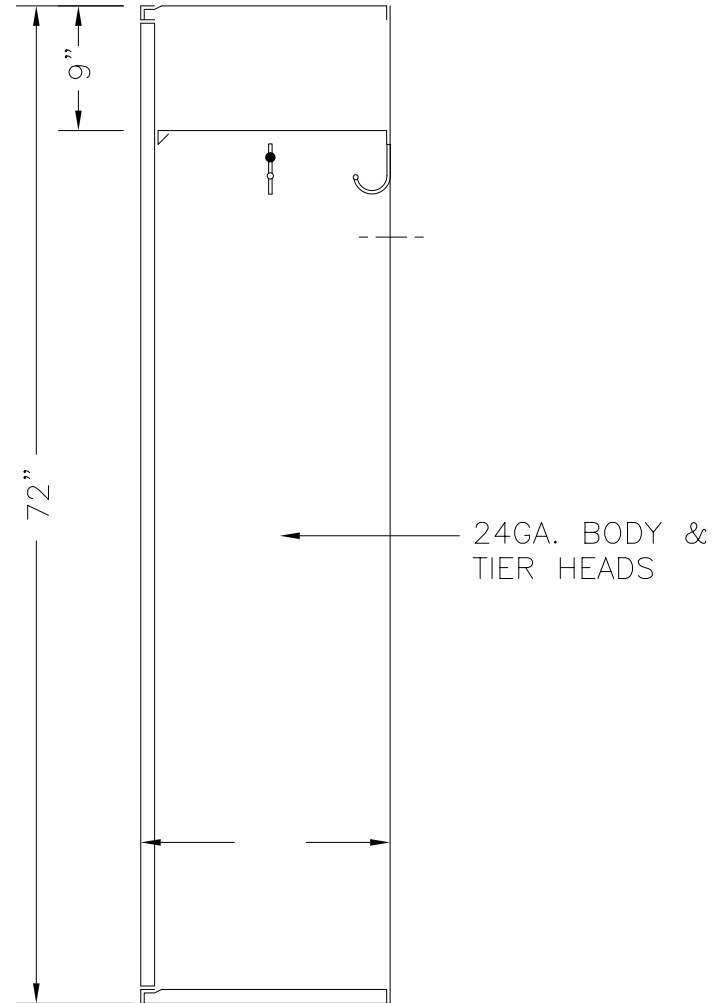
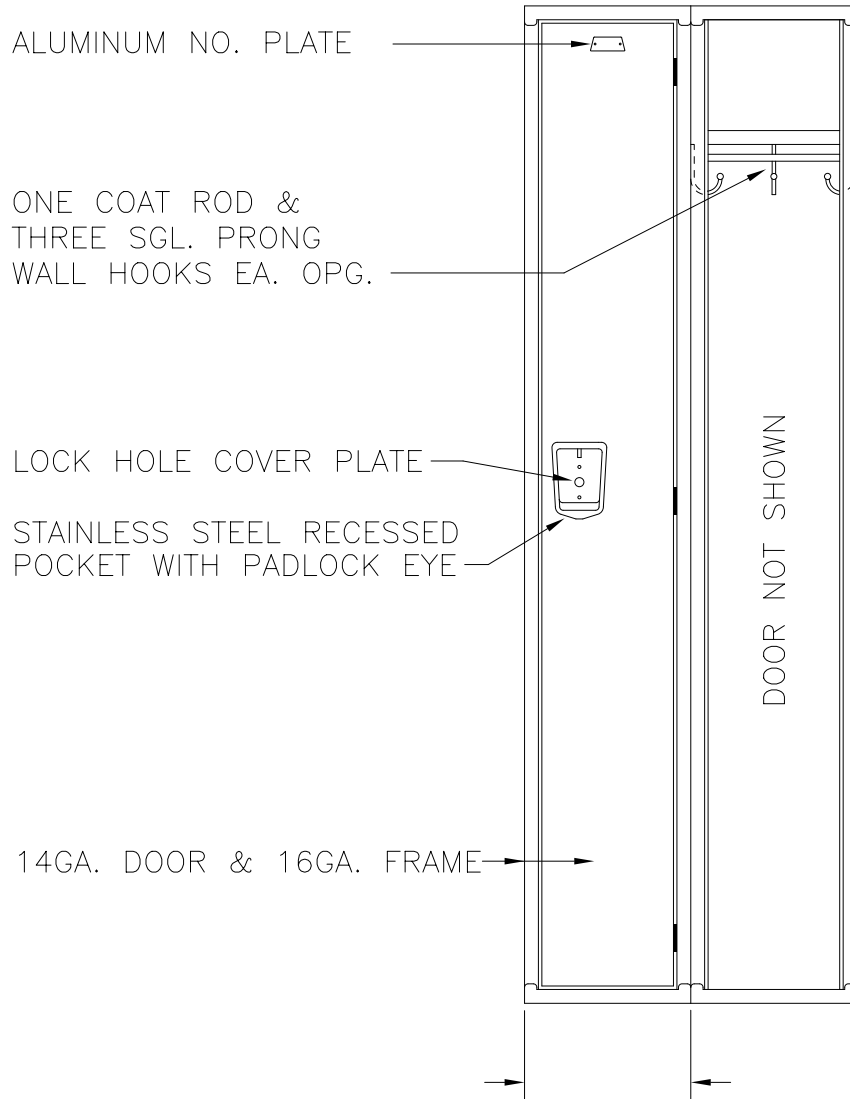
This drawing shows a standard Penco Product. Any modifications to the product must be approved by Penco Engineering. 8/6/2001



121272GP.dwg

Sold By
SchoolLockers.com

877.952.0151



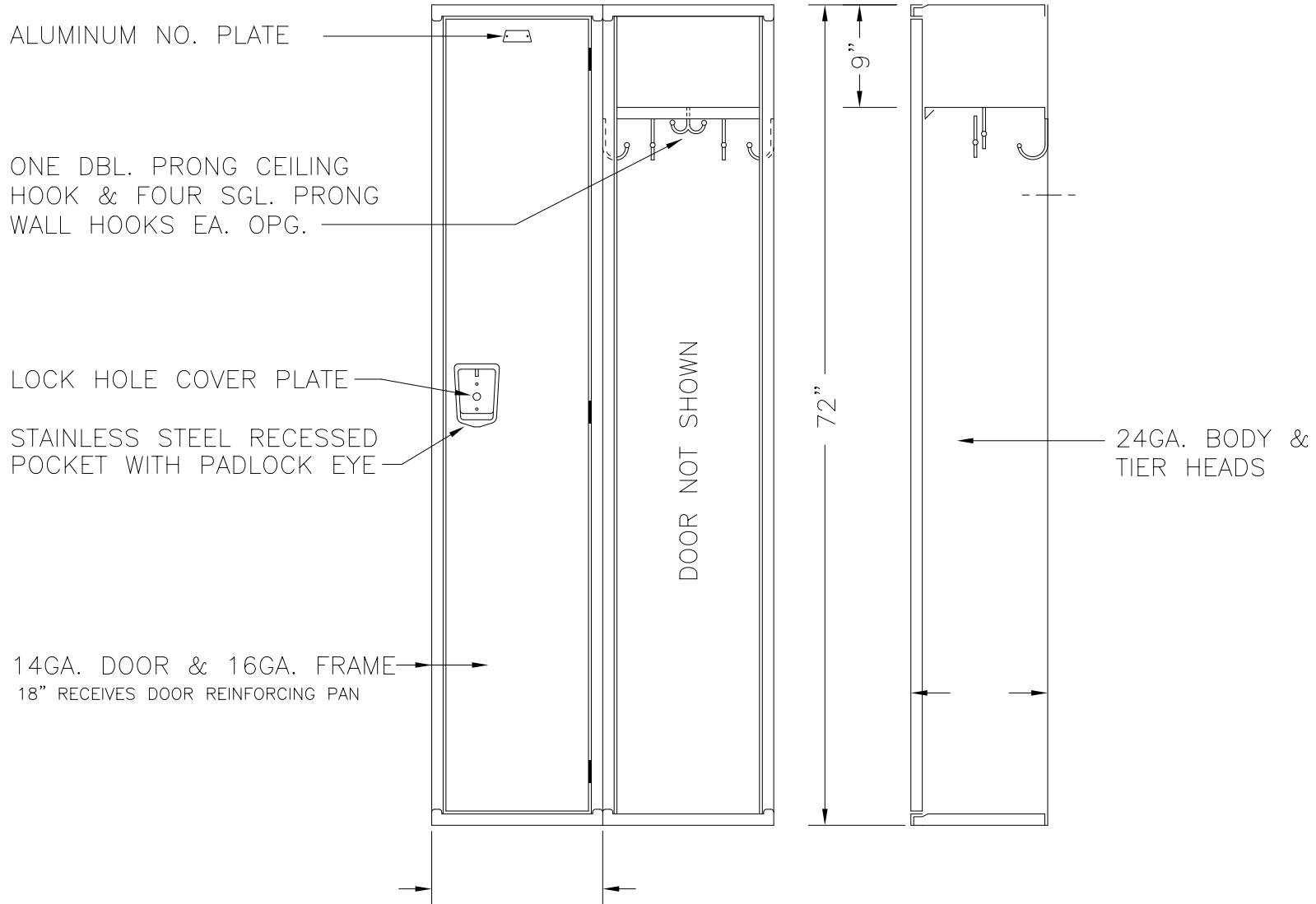
72" HIGH SINGLE TIER GUARDIAN PLUS KNOCKDOWN LOCKER
TYPICAL FOR 9" & 12" WIDE, ALLOW 1/16" CREEPAGE PER FRAME
TYPICAL FOR 18", 21", & 24" DEEP

This drawing shows a standard Penco Product. Any modifications to the product must be approved by Penco Engineering. 8/6/2001



Sold By
SchoolLockers.com

877.952.0151



ELEVATION SECTION @ WALL
72" HIGH SINGLE TIER GUARDIAN PLUS KNOCKDOWN LOCKER

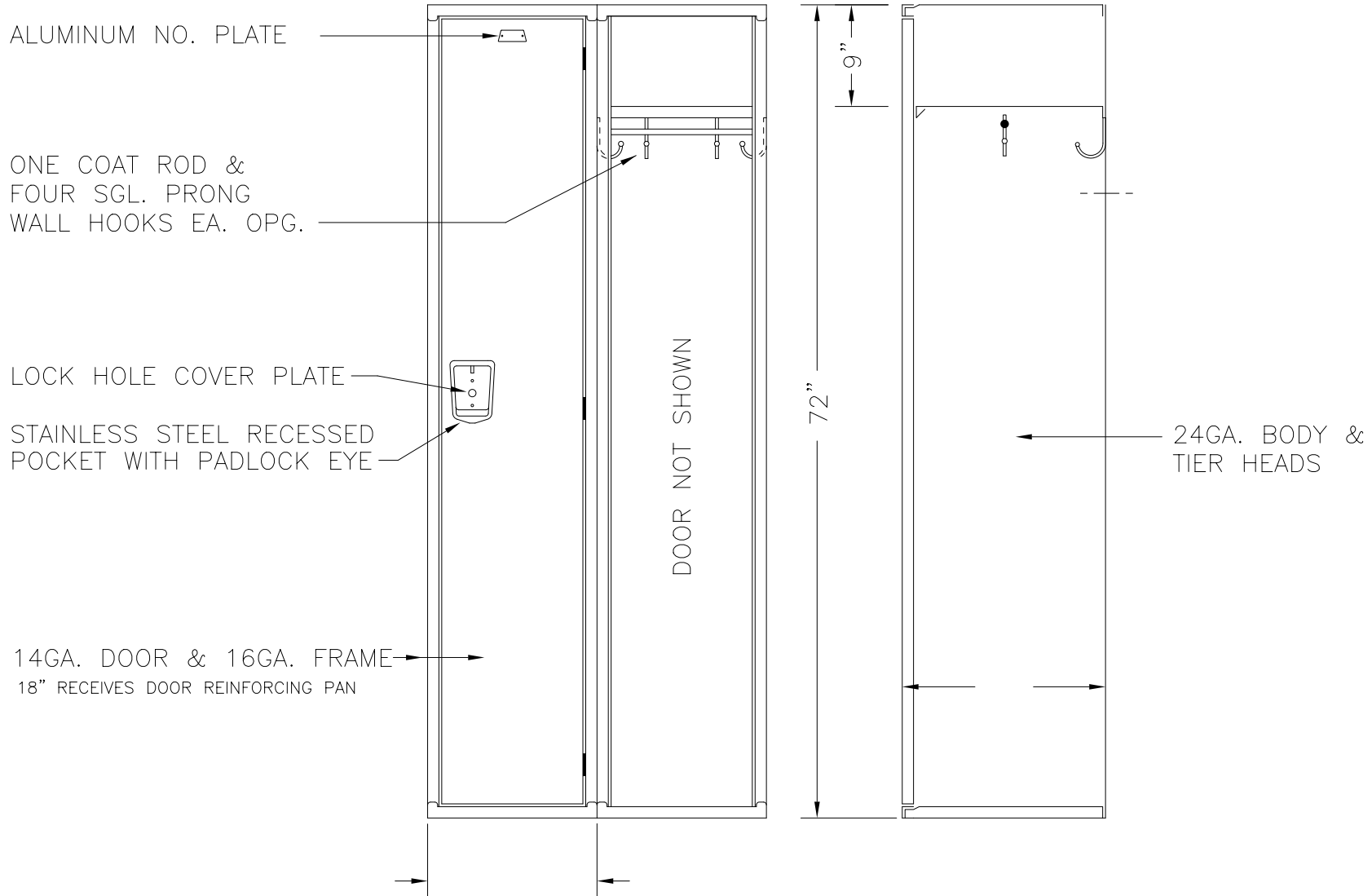
TYPICAL FOR 15" & 18" WIDE, ALLOW 1/16" CREEPAGE PER FRAME
TYPICAL FOR 12" & 15" DEEP

This drawing shows a standard Penco Product. Any modifications to the product must be approved by Penco Engineering. 8/6/2001



Sold By
SchoolLockers.com

877.952.0151



ELEVATION SECTION @ WALL
72" HIGH SINGLE TIER GUARDIAN PLUS KNOCKDOWN LOCKER

TYPICAL FOR 15" & 18" WIDE, ALLOW 1/16" CREEPAGE PER FRAME
TYPICAL FOR 18", 21" & 24" DEEP

This drawing shows a standard Penco Product. Any modifications to the product must be approved by Penco Engineering. 8/6/2001

