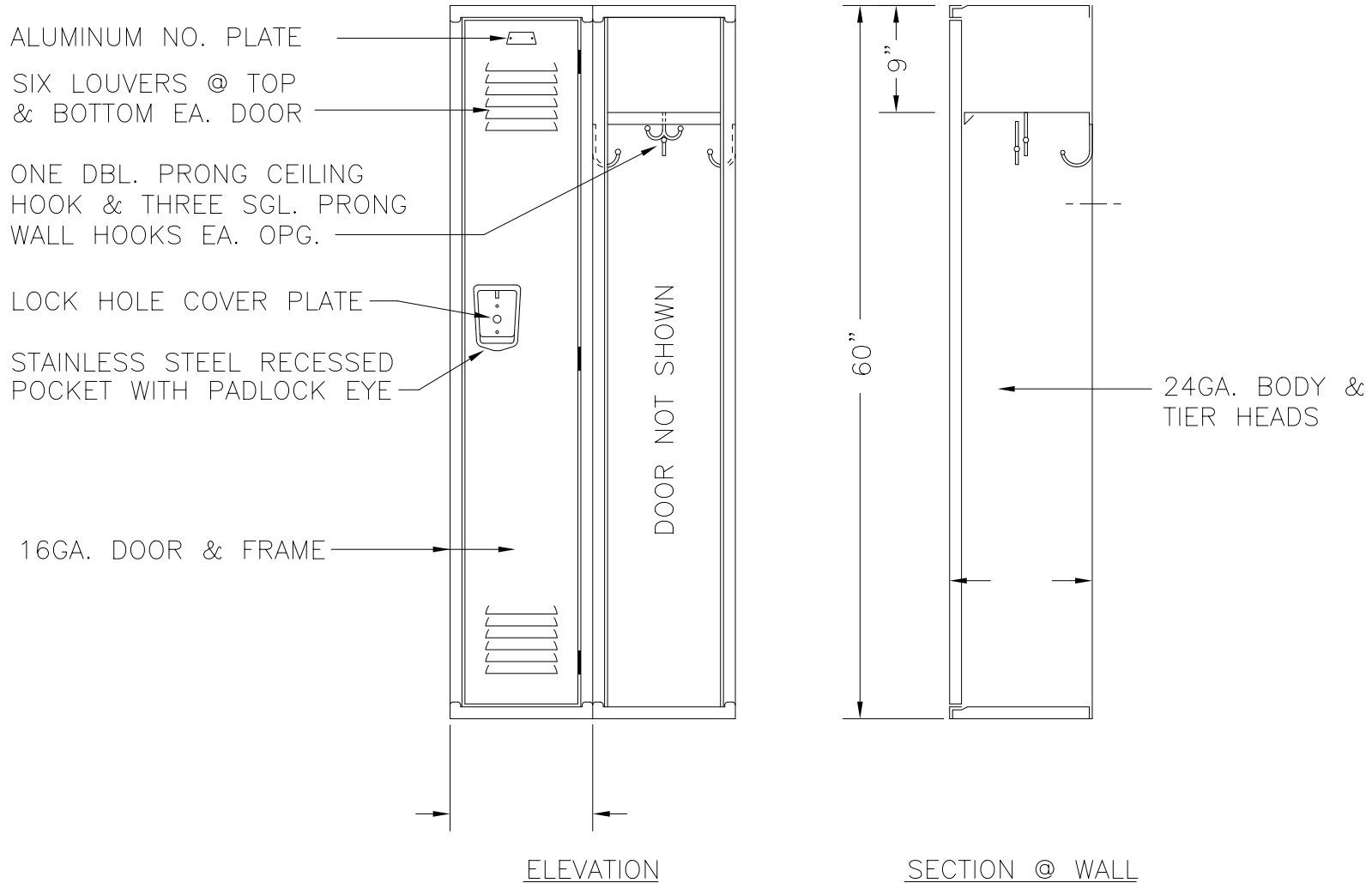


Sold By
SchoolLockers.com

877.952.0151



60" HIGH SINGLE TIER VANGUARD KNOCKDOWN LOCKER W/ RECESSED POCKET

TYPICAL FOR 9" & 12" WIDE, ALLOW 1/16" CREEPAGE PER FRAME
TYPICAL FOR 12" & 15" DEEP

This drawing shows a standard Penco Product. Any modifications to the product must be approved by Penco Engineering. 8/6/2001



121260VR.dwg

Sold By
SchoolLockers.com

877.952.0151

ALUMINUM NO. PLATE

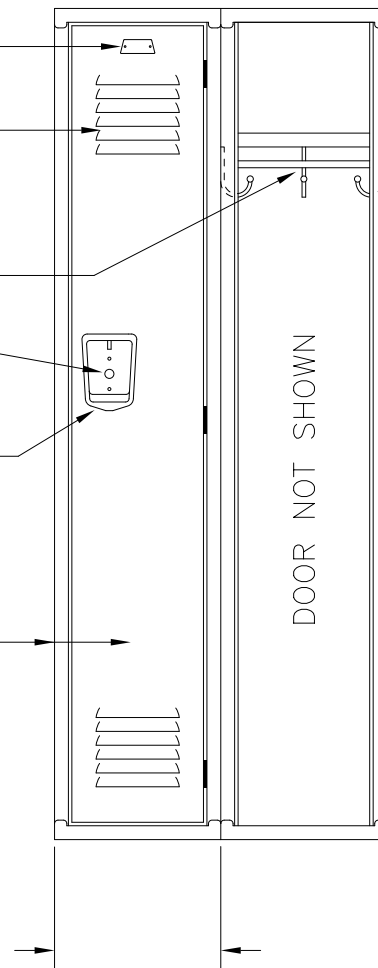
SIX LOUVERS @ TOP
& BOTTOM EA. DOOR

ONE COAT ROD &
THREE SGL. PRONG
WALL HOOKS EA. OPG.

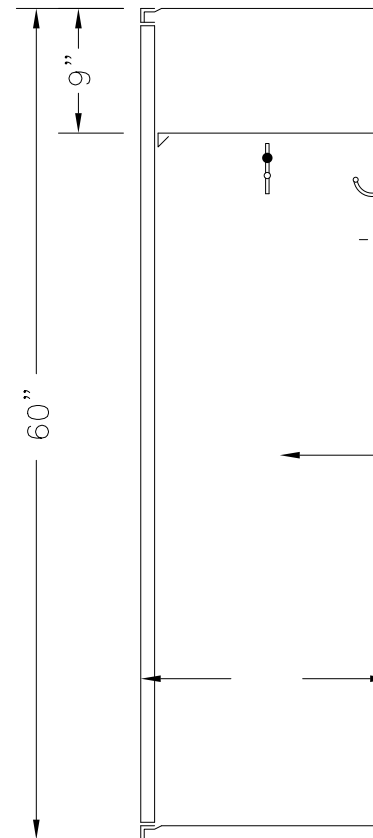
LOCK HOLE COVER PLATE

STAINLESS STEEL RECESSED
POCKET WITH PADLOCK EYE

16GA. DOOR & FRAME



ELEVATION



24GA. BODY &
TIER HEADS

SECTION @ WALL

60" HIGH SINGLE TIER VANGUARD KNOCKDOWN LOCKER W/ RECESSED POCKET

TYPICAL FOR 9" & 12" WIDE, ALLOW 1/16" CREEPAGE PER FRAME

TYPICAL FOR 18", 21", & 24" DEEP

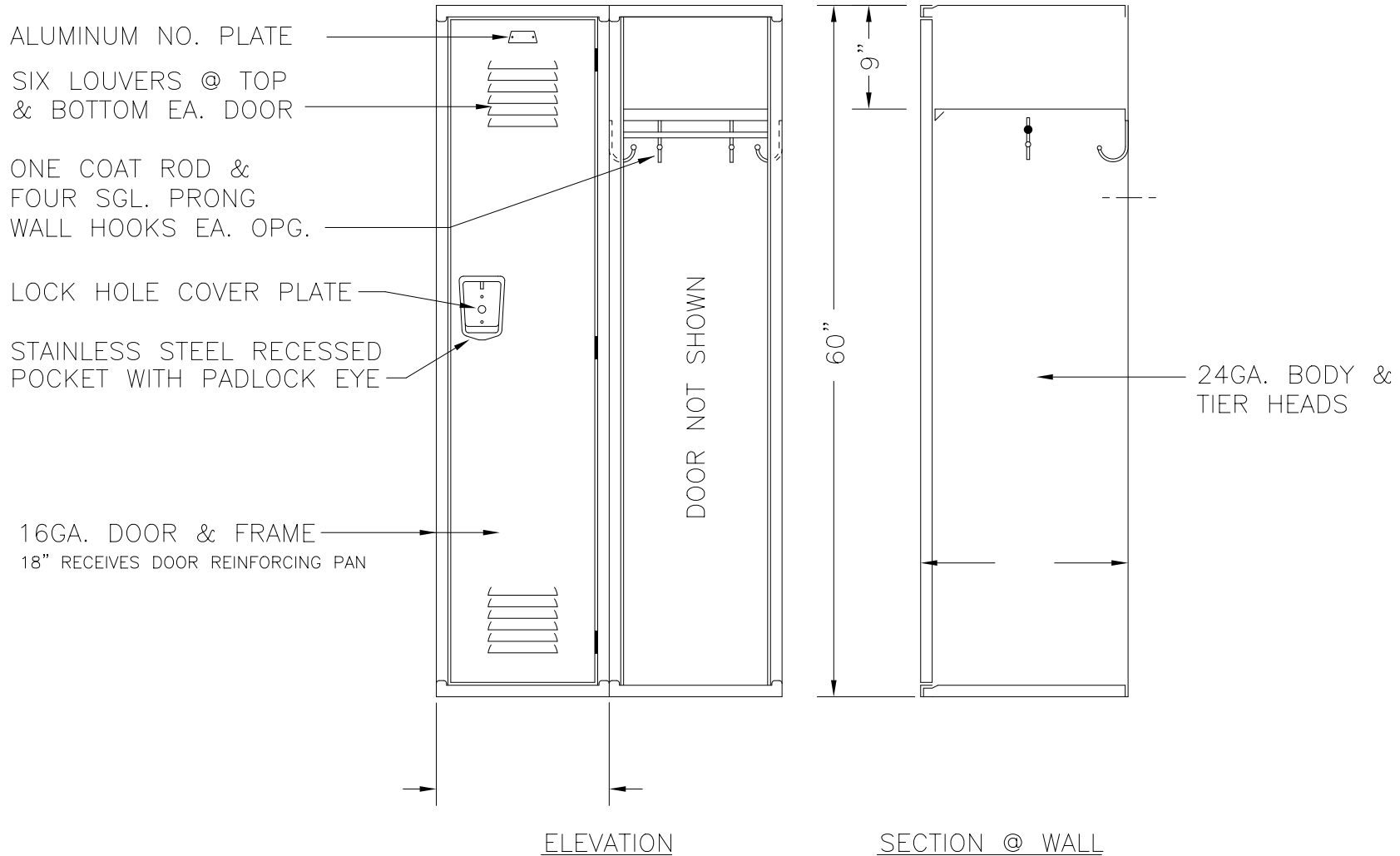
This drawing shows a standard Penco Product. Any modifications to the product must be approved by Penco Engineering. 8/6/2001



121860VR.dwg

Sold By
SchoolLockers.com

877.952.0151



60" HIGH SINGLE TIER VANGUARD KNOCKDOWN LOCKER W/ RECESSED POCKET

TYPICAL FOR 15" & 18" WIDE, ALLOW 1/16" CREEPAGE PER FRAME

TYPICAL FOR 18", 21", & 24" DEEP

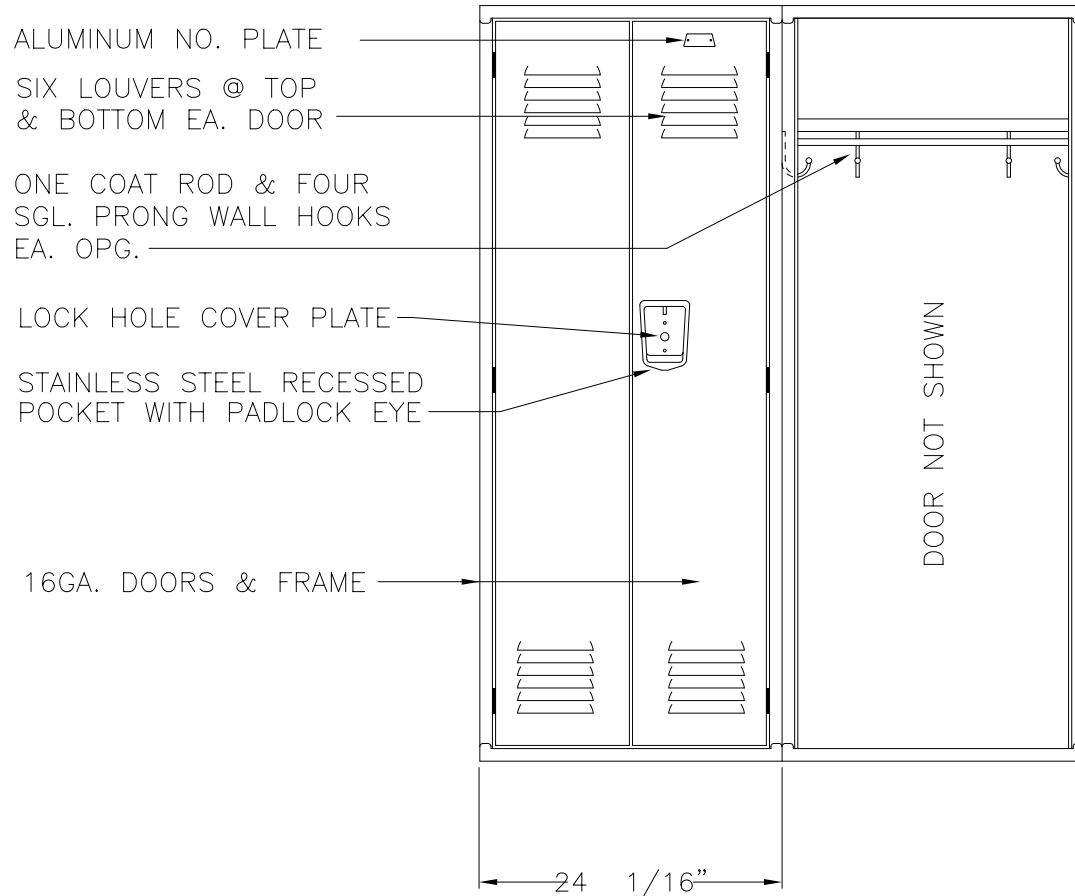
This drawing shows a standard Penco Product. Any modifications to the product must be approved by Penco Engineering. 8/6/2001



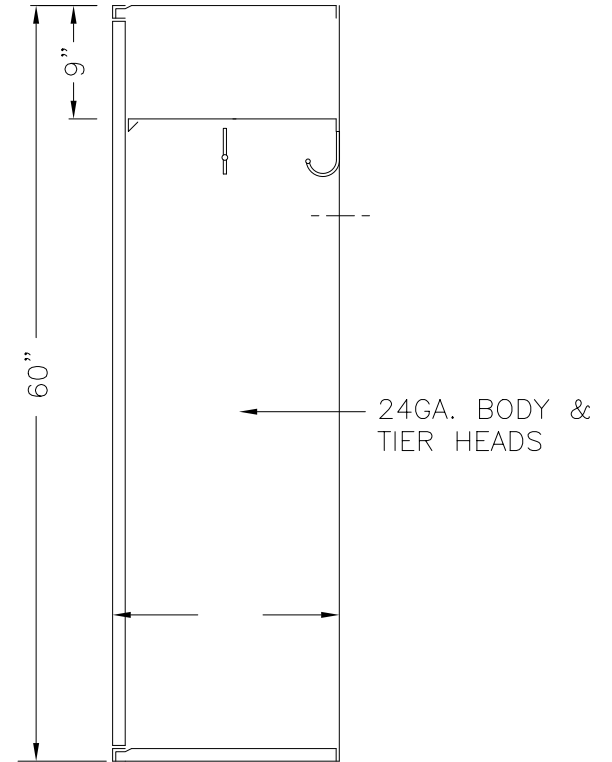
151860VR.dwg

Sold By
SchoolLockers.com

877.952.0151



ELEVATION



SECTION @ WALL

60" HIGH SINGLE TIER DOUBLE DOOR VANGUARD KNOCKDOWN LOCKER W/ RECESSED POCKET

This drawing shows a standard Penco Product. Any modifications to the product must be approved by Penco Engineering. 8/6/2001

24" WIDE, ALLOW 1/16" CREEPAGE PER FRAME
 TYPICAL FOR 18", 21", & 24" DEEP



241860RDD.dwg

Sold By
SchoolLockers.com

877.952.0151

ALUMINUM NO. PLATE

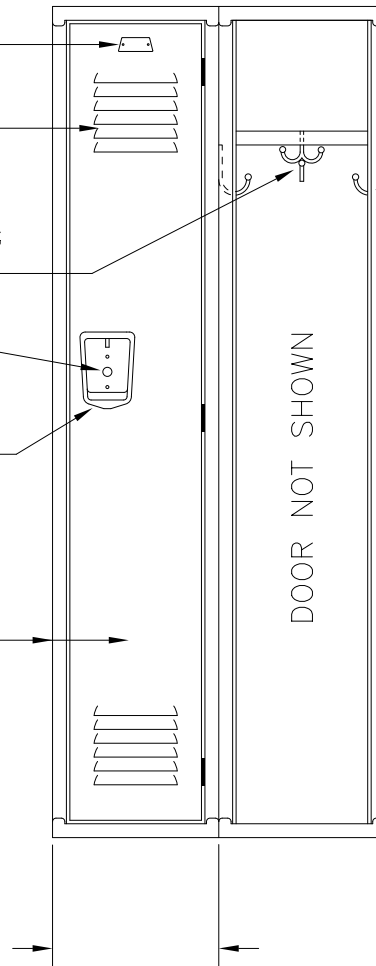
SIX LOUVERS @ TOP
& BOTTOM EA. DOOR

ONE DBL. PRONG CEILING
HOOK & THREE SGL. PRONG
WALL HOOKS EA. OPG.

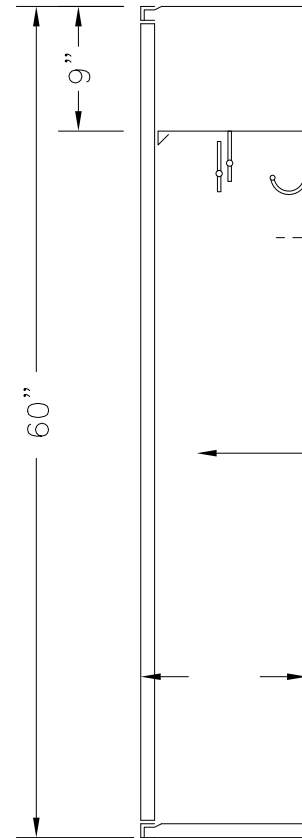
LOCK HOLE COVER PLATE

STAINLESS STEEL RECESSED
POCKET WITH PADLOCK EYE

16GA. DOOR & FRAME



ELEVATION



SECTION @ WALL

24GA. BODY &
TIER HEADS

60" HIGH SINGLE TIER VANGUARD KNOCKDOWN LOCKER W/ RECESSED POCKET

TYPICAL FOR 9" & 12" WIDE, ALLOW 1/16" CREEPAGE PER FRAME
TYPICAL FOR 12" & 15" DEEP

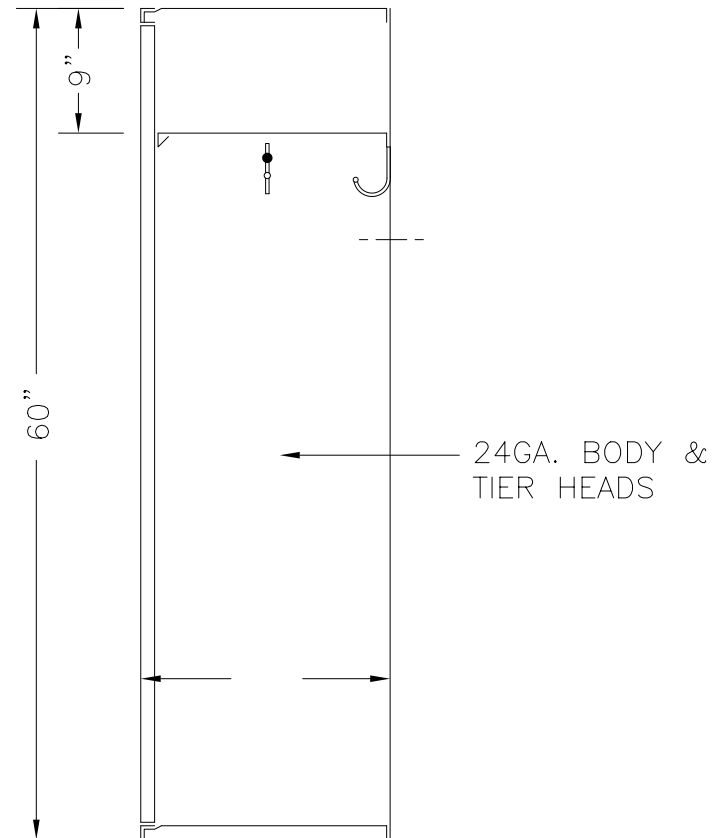
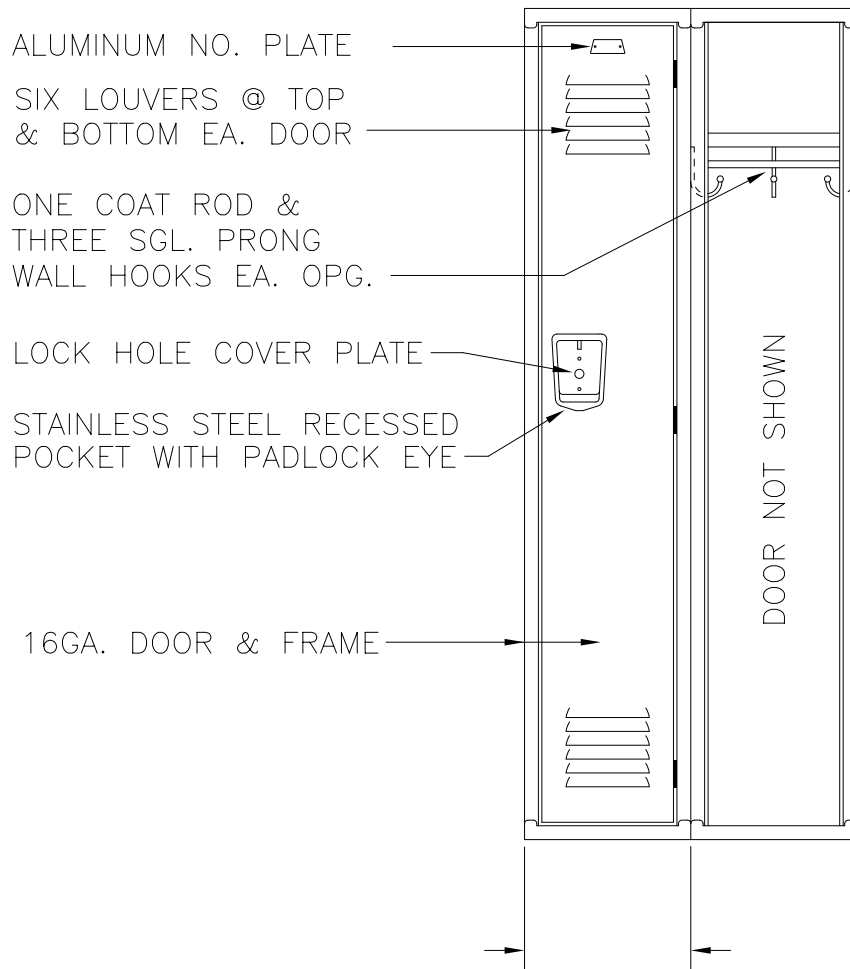
This drawing shows a standard Penco Product. Any modifications
to the product must be approved by Penco Engineering. 8/6/2001



121260VR.dwg

Sold By
SchoolLockers.com

877.952.0151



ELEVATION

SECTION @ WALL

60" HIGH SINGLE TIER VANGUARD KNOCKDOWN LOCKER W/ RECESSED POCKET

TYPICAL FOR 9" & 12" WIDE, ALLOW 1/16" CREEPAGE PER FRAME

TYPICAL FOR 18", 21", & 24" DEEP

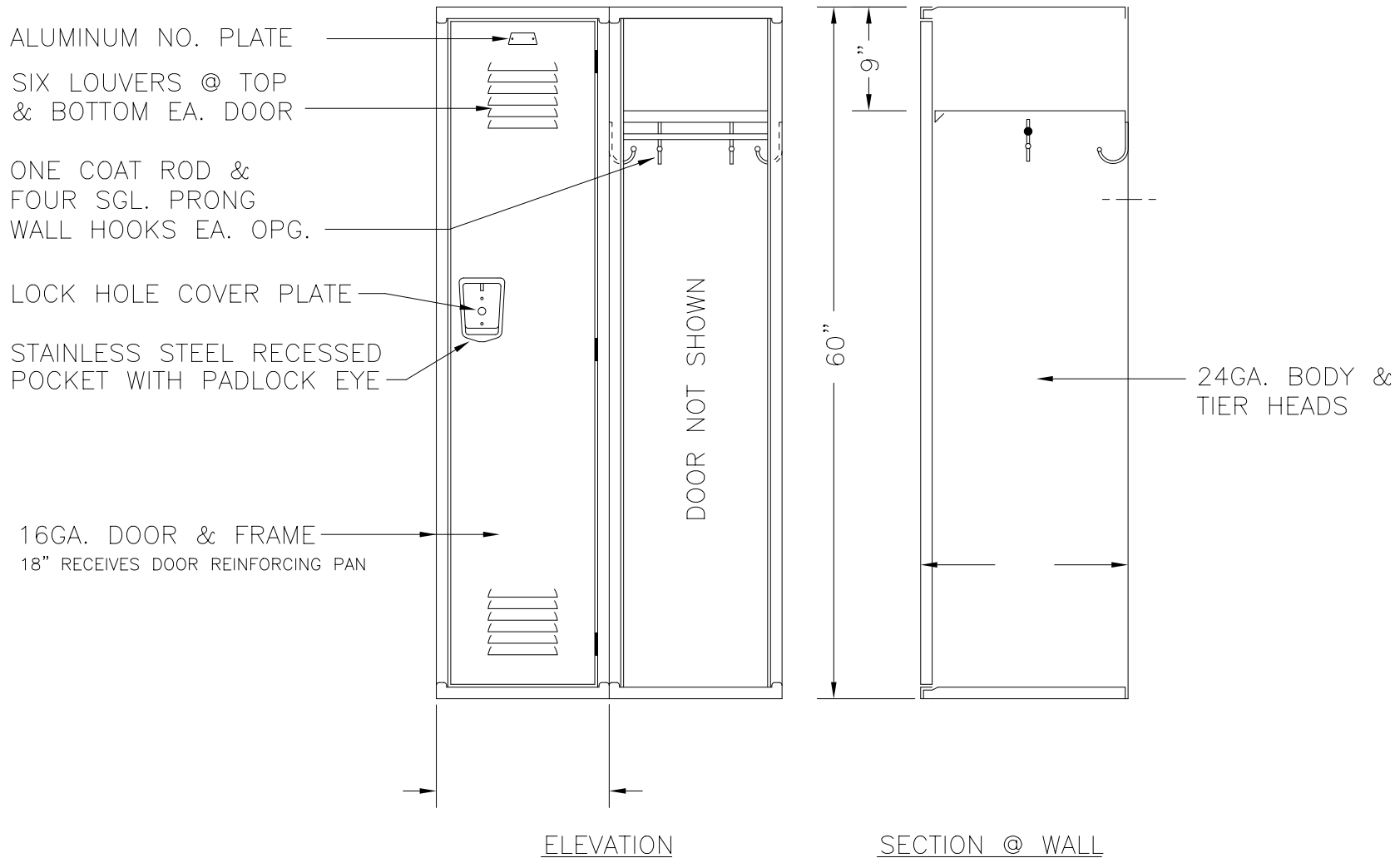
This drawing shows a standard Penco Product. Any modifications to the product must be approved by Penco Engineering. 8/6/2001



121860VR.dwg

Sold By
SchoolLockers.com

877.952.0151



60" HIGH SINGLE TIER VANGUARD KNOCKDOWN LOCKER W/ RECESSED POCKET

TYPICAL FOR 15" & 18" WIDE, ALLOW 1/16" CREEPAGE PER FRAME

TYPICAL FOR 18", 21", & 24" DEEP

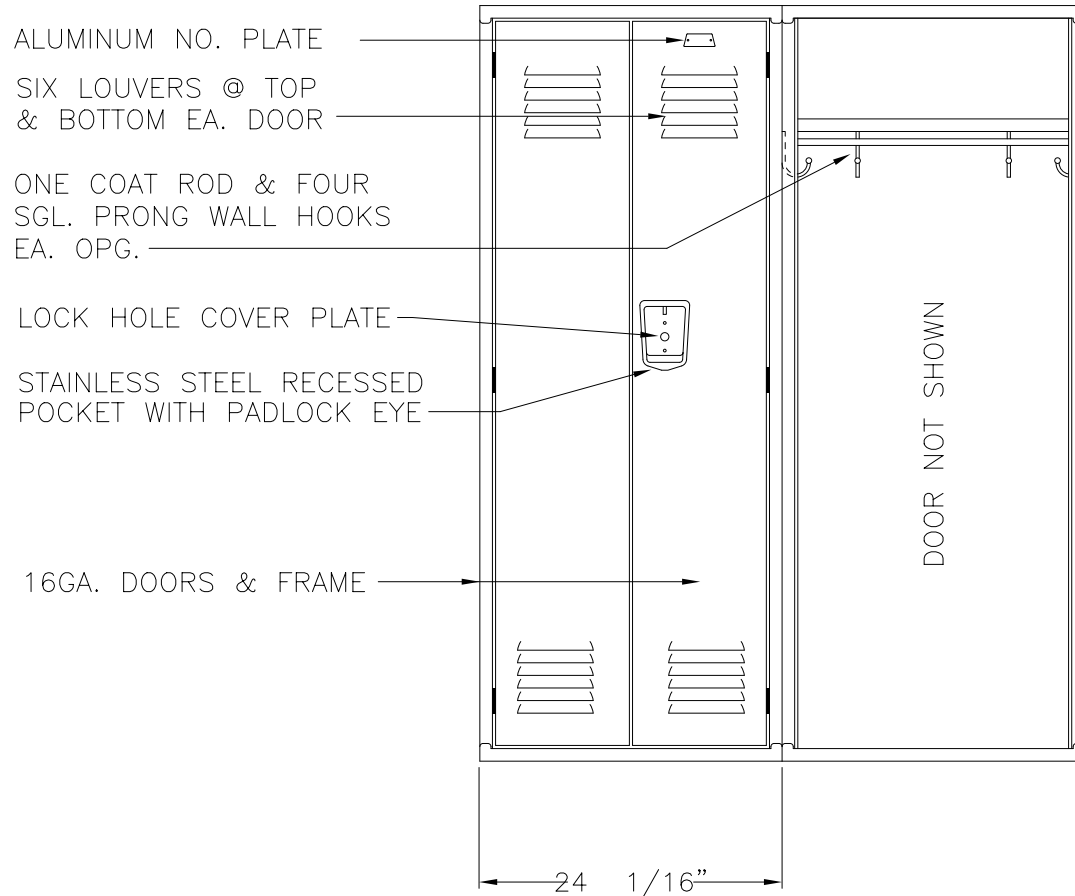
This drawing shows a standard Penco Product. Any modifications to the product must be approved by Penco Engineering. 8/6/2001



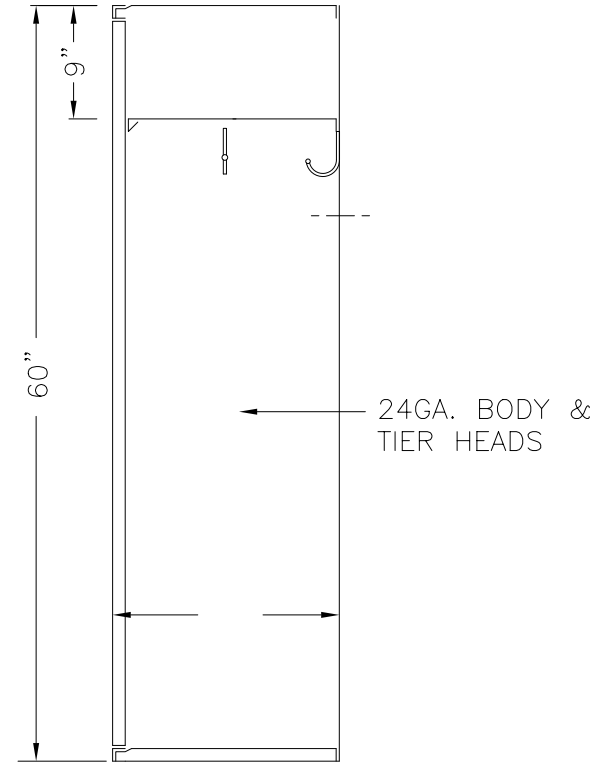
151860VR.dwg

Sold By
SchoolLockers.com

877.952.0151



ELEVATION



SECTION @ WALL

60" HIGH SINGLE TIER DOUBLE DOOR VANGUARD KNOCKDOWN LOCKER W/ RECESSED POCKET

This drawing shows a standard Penco Product. Any modifications to the product must be approved by Penco Engineering. 8/6/2001

24" WIDE, ALLOW 1/16" CREEPAGE PER FRAME
TYPICAL FOR 18", 21", & 24" DEEP



241860RDD.dwg