

ALUMINUM NO. PLATE

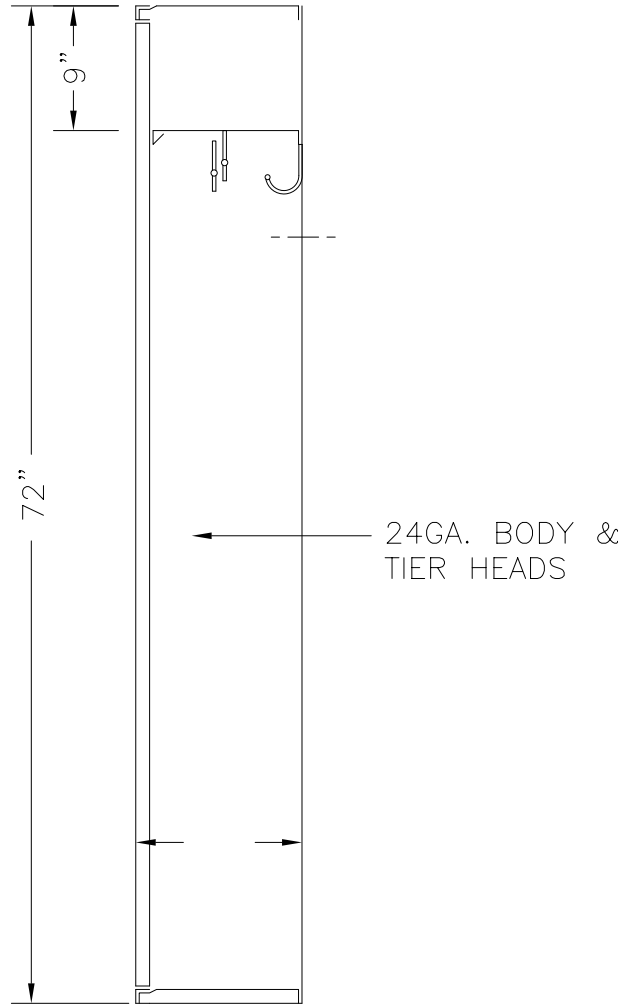
ONE DBL. PRONG CEILING
HOOK & THREE SGL. PRONG
WALL HOOKS EA. OPG.

LOCK HOLE COVER PLATE

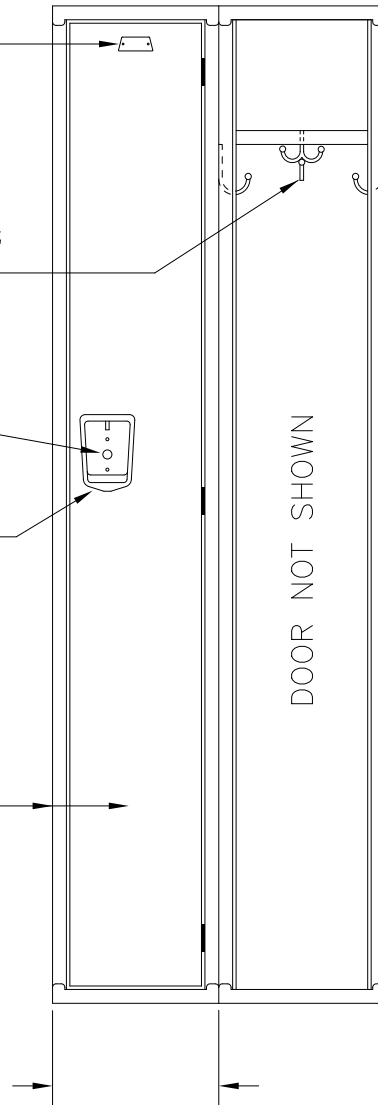
STAINLESS STEEL RECESSED
POCKET WITH PADLOCK EYE

16GA. DOOR & FRAME

DOOR NOT SHOWN



Sold By
SchoolLockers.com
877.952.0151



ELEVATION

SECTION @ WALL

72" HIGH SINGLE TIER GUARDIAN KNOCKDOWN LOCKER

TYPICAL FOR 9" & 12" WIDE, ALLOW 1/16" CREEPAGE PER FRAME

TYPICAL FOR 12" & 15" DEEP

This drawing shows a standard Penco Product. Any modifications to the product must be approved by Penco Engineering. 8/6/2001



121272G.dwg

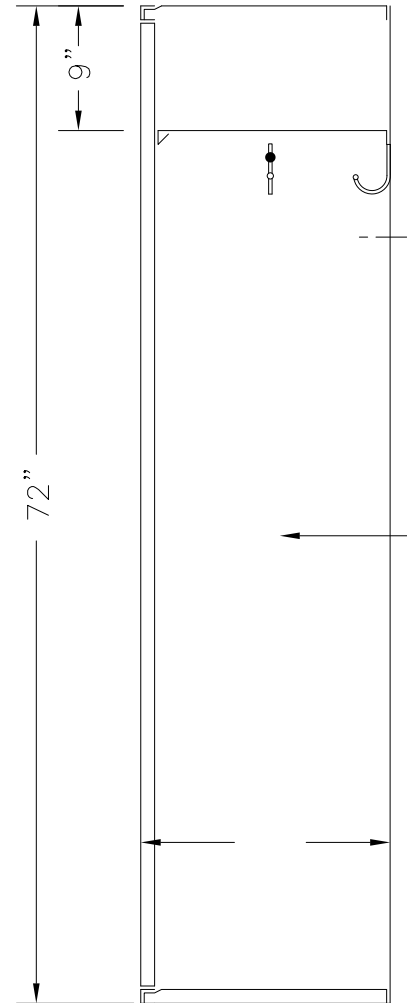
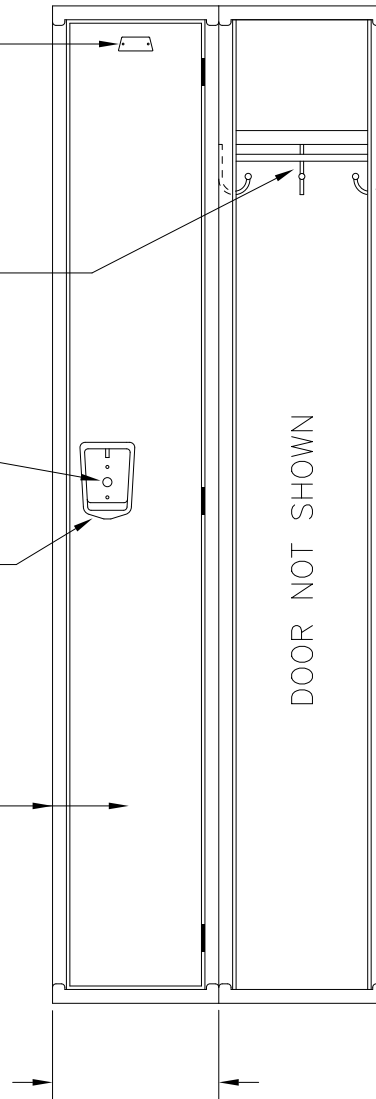
ALUMINUM NO. PLATE

ONE COAT ROD &
THREE SGL. PRONG
WALL HOOKS EA. OPG.

LOCK HOLE COVER PLATE

STAINLESS STEEL RECESSED
POCKET WITH PADLOCK EYE

16GA. DOOR & FRAME



24GA. BODY &
TIER HEADS

Sold By
SchoolLockers.com
877.952.0151

ELEVATION SECTION @ WALL
72" HIGH SINGLE TIER GUARDIAN KNOCKDOWN LOCKER
TYPICAL FOR 9" & 12" WIDE, ALLOW 1/16" CREEPAGE PER FRAME
TYPICAL FOR 18", 21", & 24" DEEP

This drawing shows a standard Penco Product. Any modifications to the product must be approved by Penco Engineering. 8/6/2001



ALUMINUM NO. PLATE

ONE DBL. PRONG CEILING
HOOK & FOUR SGL. PRONG
WALL HOOKS EA. OPG.

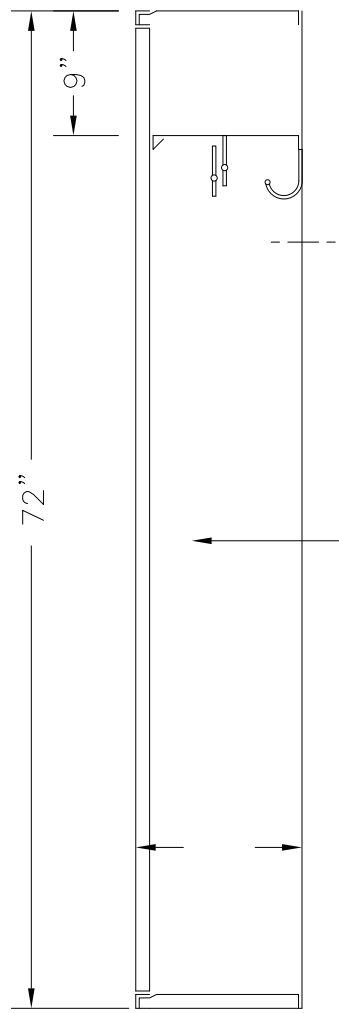
LOCK HOLE COVER PLATE

STAINLESS STEEL RECESSED
POCKET WITH PADLOCK EYE

16GA. DOOR & FRAME
18" RECEIVES DOOR REINFORCING PAN

DOOR NOT SHOWN

24GA. BODY &
TIER HEADS



Sold By
SchoolLockers.com
877.952.0151

ELEVATION SECTION @ WALL
72" HIGH SINGLE TIER GUARDIAN KNOCKDOWN LOCKER
TYPICAL FOR 15" & 18" WIDE, ALLOW 1/16" CREEPAGE PER FRAME
TYPICAL FOR 12" & 15" DEEP

This drawing shows a standard Penco Product. Any modifications to the product must be approved by Penco Engineering. 8/6/2001



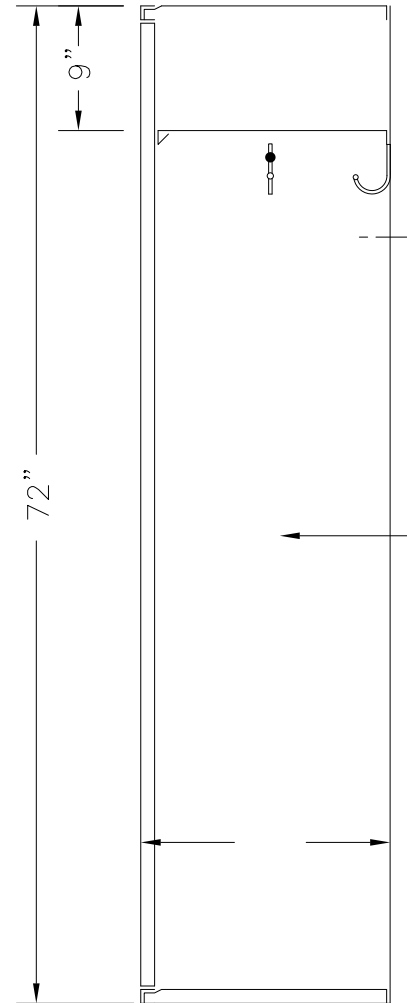
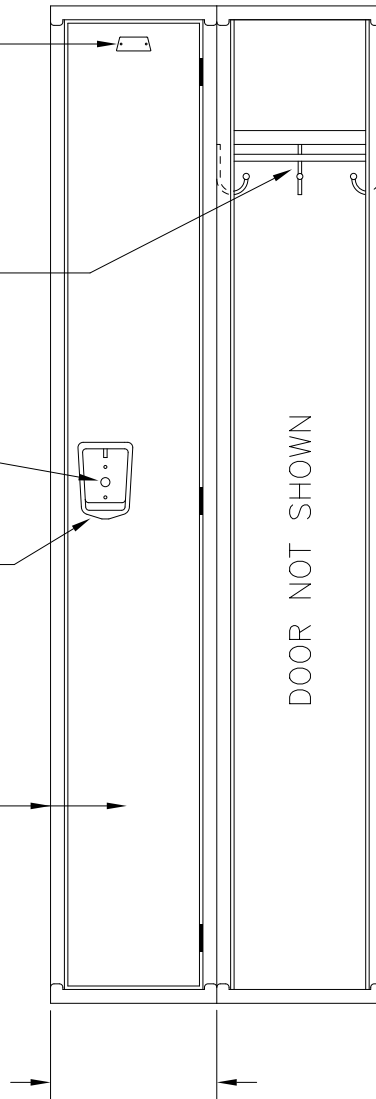
ALUMINUM NO. PLATE

ONE COAT ROD &
THREE SGL. PRONG
WALL HOOKS EA. OPG.

LOCK HOLE COVER PLATE

STAINLESS STEEL RECESSED
POCKET WITH PADLOCK EYE

16GA. DOOR & FRAME



24GA. BODY &
TIER HEADS

Sold By

SchoolLockers.com

877.952.0151

ELEVATION SECTION @ WALL
 72" HIGH SINGLE TIER GUARDIAN KNOCKDOWN LOCKER
 TYPICAL FOR 9" & 12" WIDE, ALLOW 1/16" CREEPAGE PER FRAME
 TYPICAL FOR 18", 21", & 24" DEEP

This drawing shows a standard Penco Product. Any modifications to the product must be approved by Penco Engineering. 8/6/2001



ALUMINUM NO. PLATE

ONE DBL. PRONG CEILING HOOK & FOUR SGL. PRONG WALL HOOKS EA. OPG.

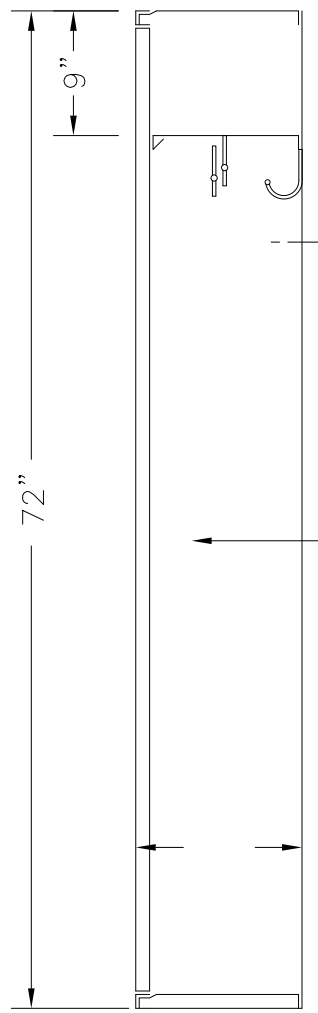
LOCK HOLE COVER PLATE

STAINLESS STEEL RECESSED POCKET WITH PADLOCK EYE

16GA. DOOR & FRAME
18" RECEIVES DOOR REINFORCING PAN

DOOR NOT SHOWN

24GA. BODY & TIER HEADS



Sold By
SchoolLockers.com
877.952.0151

ELEVATION SECTION @ WALL
72" HIGH SINGLE TIER GUARDIAN KNOCKDOWN LOCKER
TYPICAL FOR 15" & 18" WIDE, ALLOW 1/16" CREEPAGE PER FRAME
TYPICAL FOR 12" & 15" DEEP

This drawing shows a standard Penco Product. Any modifications to the product must be approved by Penco Engineering. 8/6/2001



ALUMINUM NO. PLATE

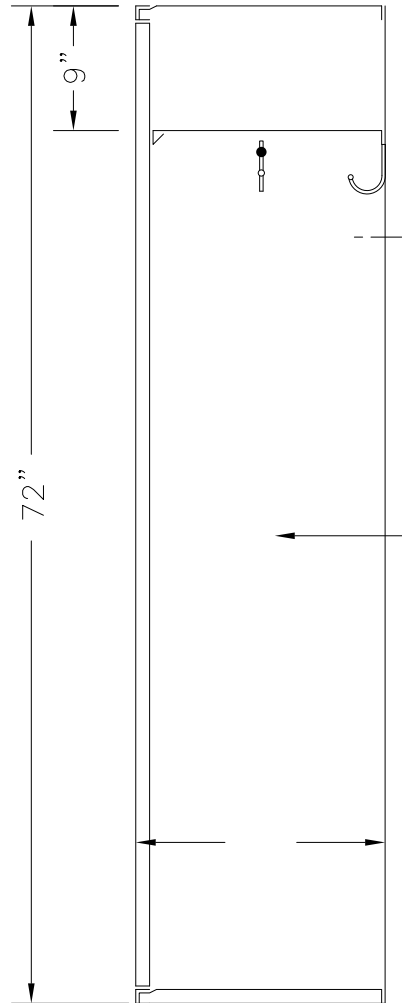
ONE COAT ROD &
FOUR SGL. PRONG
WALL HOOKS EA. OPG.

LOCK HOLE COVER PLATE

STAINLESS STEEL RECESSED
POCKET WITH PADLOCK EYE

16GA. DOOR & FRAME
18" RECEIVES DOOR REINFORCING PAN

DOOR NOT SHOWN



24GA. BODY &
TIER HEADS

Sold By
SchoolLockers.com
877.952.0151

ELEVATION SECTION @ WALL
72" HIGH SINGLE TIER GUARDIAN KNOCKDOWN LOCKER
TYPICAL FOR 15" & 18" WIDE, ALLOW 1/16" CREEPAGE PER FRAME
TYPICAL FOR 18", 21" & 24" DEEP

This drawing shows a standard Penco Product. Any modifications to the product must be approved by Penco Engineering. 8/6/2001



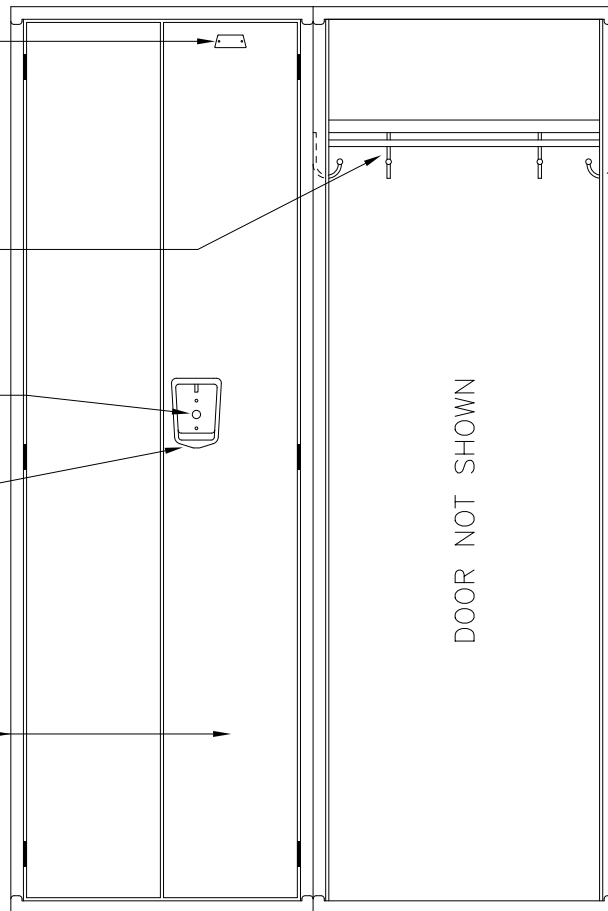
ALUMINUM NO. PLATE

ONE COAT ROD & FOUR
SGL. PRONG WALL HOOKS
EA. OPG.

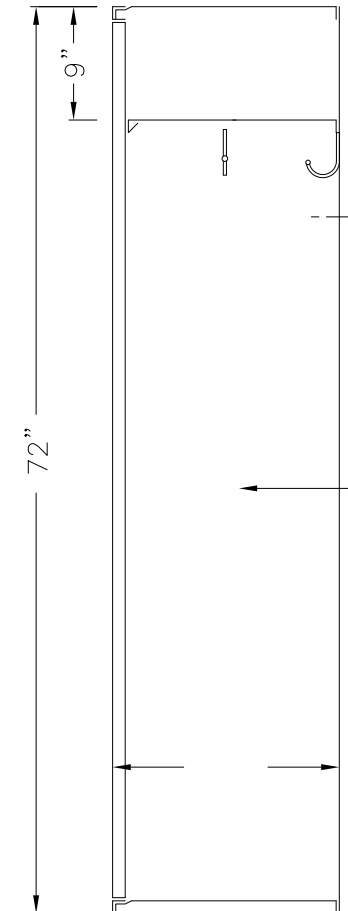
LOCK HOLE COVER PLATE

STAINLESS STEEL RECESSED
POCKET WITH PADLOCK EYE

16GA. DOORS & FRAME



ELEVATION



SECTION @ WALL

Sold By

SchoolLockers.com

877.952.0151

72" HIGH SINGLE TIER DOUBLE DOOR GUARDIAN KNOCKDOWN LOCKER

24" WIDE, ALLOW 1/16" CREEPAGE PER FRAME
TYPICAL FOR 18", 21", & 24" DEEP

This drawing shows a standard Penco Product. Any modifications to the product must be approved by Penco Engineering. 8/6/2001



241872GDD.dwg