

Sold By

SchoolLockers.com

877.952.0151

ALUMINUM NO. PLATE

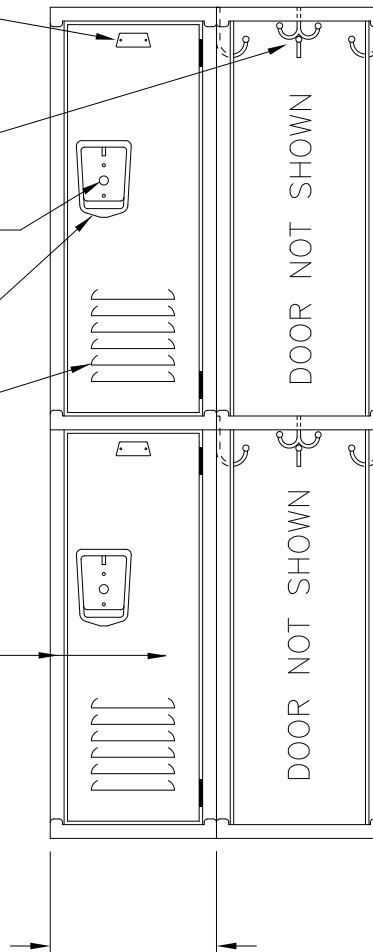
ONE DBL. PRONG CEILING
HOOK & THREE SGL. PRONG
WALL HOOKS EA. OPENING

LOCK HOLE COVER PLATE

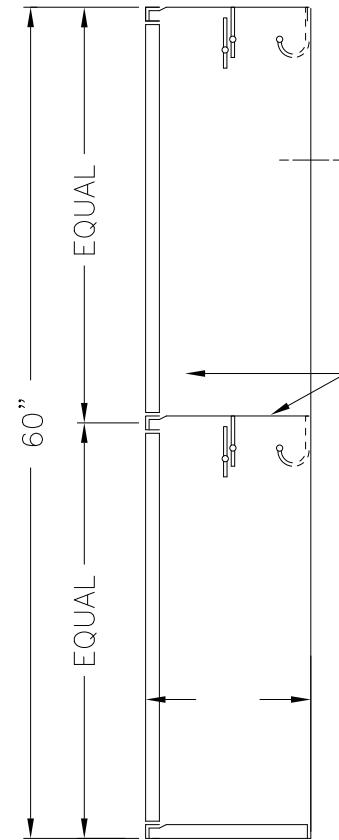
STAINLESS STEEL RECESSED
POCKET WITH PADLOCK EYE

SIX LOUVERS @ BOTTOM EA.
DOOR

16GA. DOOR & FRAME



ELEVATION



SECTION @ WALL

24GA. BODY &
TIER HEADS

60" HIGH DOUBLE TIER VANGUARD KNOCKDOWN LOCKER W/ RECESSED POCKET

This drawing shows a standard Penco Product. Any modifications to the product must be approved by Penco Engineering. 8/6/2001

TYPICAL FOR 9" & 12" WIDE, ALLOW 1/16" CREEPAGE PER FRAME
TYPICAL FOR 12", 15", 18", & 21" DEEP



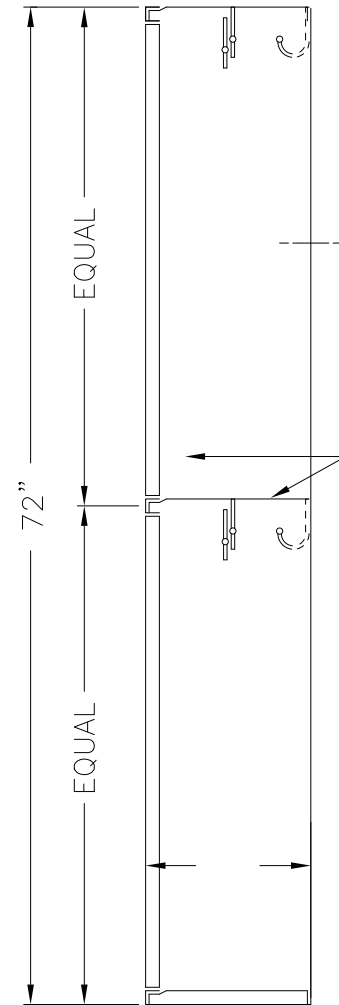
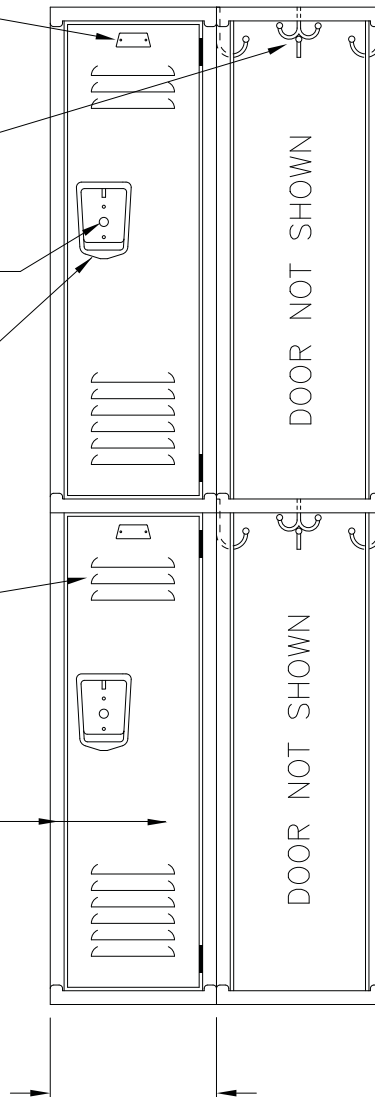
121260R2T.dwg

ALUMINUM NO. PLATE
 ONE DBL. PRONG CEILING
 HOOK & THREE SGL. PRONG
 WALL HOOKS EA. OPENING

LOCK HOLE COVER PLATE
 STAINLESS STEEL RECESSED
 POCKET WITH PADLOCK EYE

THREE LOUVERS @ TOP
 & SIX @ BOTTOM EA. DOOR

16GA. DOOR & FRAME



24GA. BODY &
 TIER HEADS

Sold By
SchoolLockers.com
 877.952.0151

ELEVATION

SECTION @ WALL

72" HIGH DOUBLE TIER VANGUARD KNOCKDOWN LOCKER W/ RECESSED POCKET

TYPICAL FOR 9" & 12" WIDE, ALLOW 1/16" CREEPAGE PER FRAME
 TYPICAL FOR 12", 15", 18", 21" & 24" DEEP

This drawing shows a standard Penco Product. Any modifications
 to the product must be approved by Penco Engineering. 8/6/2001



121272R2T.dwg

Sold By

SchoolLockers.com

877.952.0151

ALUMINUM NO. PLATE

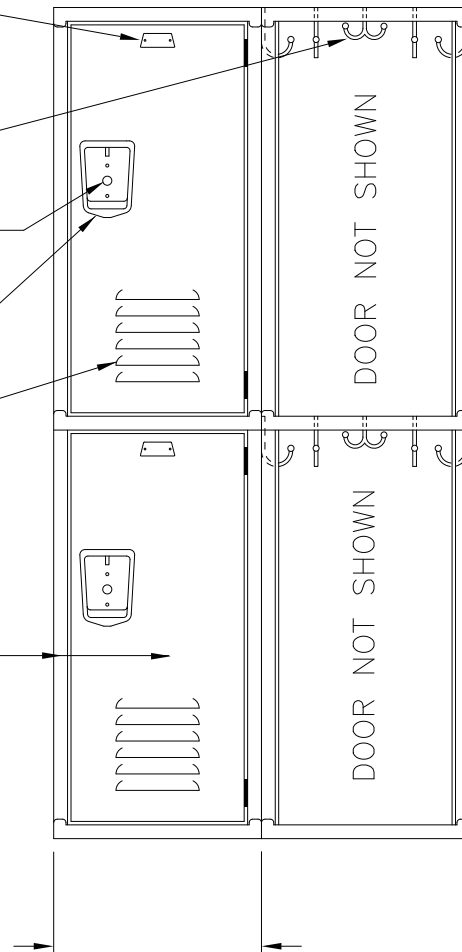
ONE DBL. PRONG CEILING
HOOK & FOUR SGL. PRONG
WALL HOOKS EA. OPENING

LOCK HOLE COVER PLATE

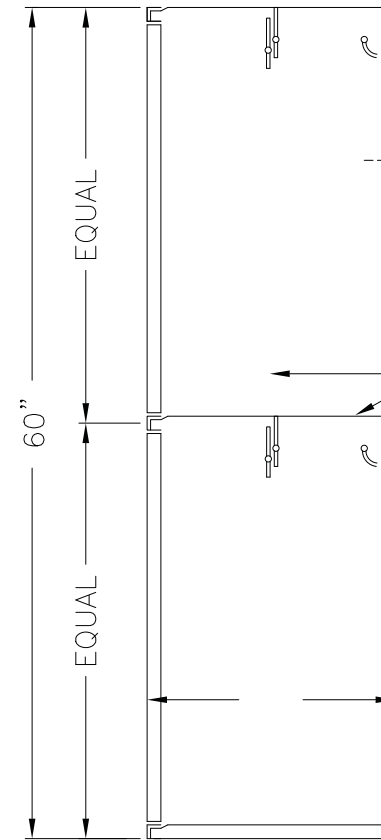
STAINLESS STEEL RECESSED
POCKET WITH PADLOCK EYE

SIX LOUVERS @ BOTTOM EA.
DOOR

16GA. DOOR & FRAME



ELEVATION



SECTION @ WALL

60" HIGH DOUBLE TIER VANGUARD KNOCKDOWN LOCKER W/ RECESSED POCKET

TYPICAL FOR 15" & 18" WIDE, ALLOW 1/16" CREEPAGE PER FRAME
TYPICAL FOR 12", 15", 18", 21", & 24" DEEP

This drawing shows a standard Penco Product. Any modifications to the product must be approved by Penco Engineering. 8/6/2001



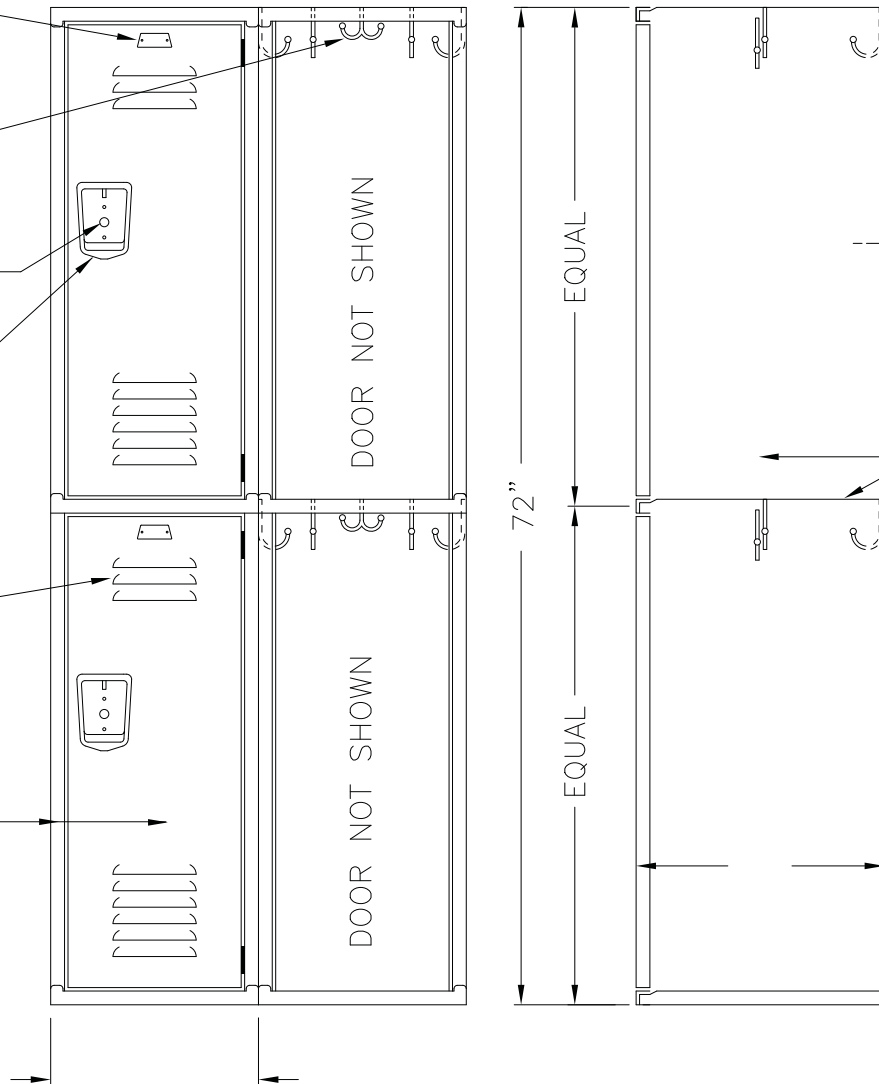
151860R2T.dwg

ALUMINUM NO. PLATE
 ONE DBL. PRONG CEILING
 HOOK & FOUR SGL. PRONG
 WALL HOOKS EA. OPENING

LOCK HOLE COVER PLATE
 STAINLESS STEEL RECESSED
 POCKET WITH PADLOCK EYE

THREE LOUVERS @ TOP
 & SIX @ BOTTOM EA. DOOR

16GA. DOOR & FRAME



24GA. BODY &
 TIER HEADS

Sold By
SchoolLockers.com
877.952.0151

ELEVATION

SECTION @ WALL

72" HIGH DOUBLE TIER VANGUARD KNOCKDOWN LOCKER W/ RECESSED POCKET

TYPICAL FOR 15" & 18" WIDE, ALLOW 1/16" CREEPAGE PER FRAME
TYPICAL FOR 12", 15", 18", 21", & 24" DEEP

This drawing shows a standard Penco Product. Any modifications to the product must be approved by Penco Engineering. 8/6/2001



151872R2T.dwg

Sold By

SchoolLockers.com

877.952.0151

ALUMINUM NO. PLATE

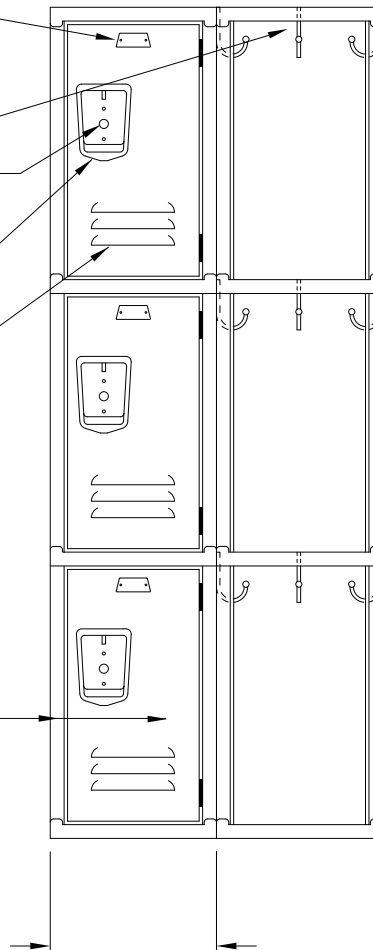
THREE SGL. PRONG WALL
HOOKS EA. OPENING

LOCK HOLE COVER PLATE

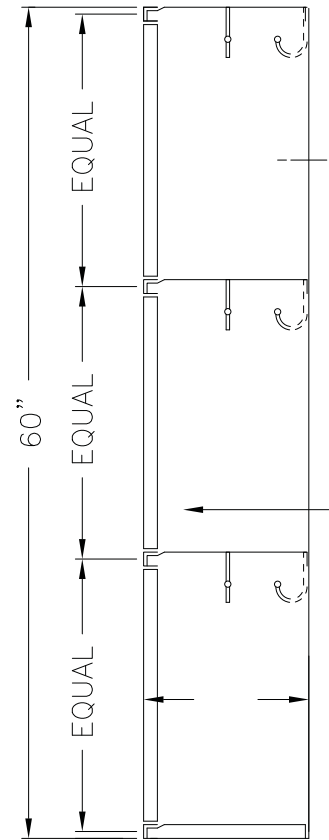
STAINLESS STEEL RECESSED
POCKET WITH PADLOCK EYE

THREE LOUVERS @ BOTTOM
EACH DOOR

16GA. DOOR & FRAME



ELEVATION



24GA. BODY &
TIER HEADS

SECTION @ WALL

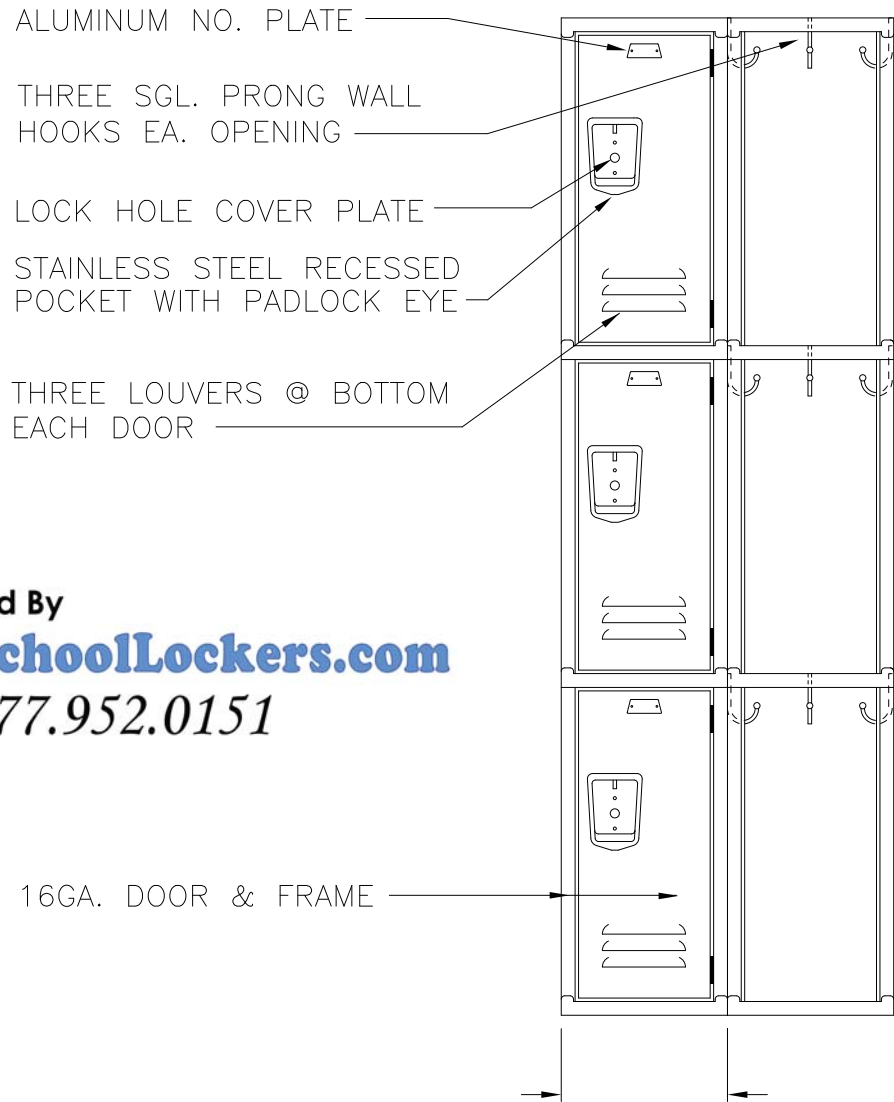
60" HIGH TRIPLE TIER VANGUARD KNOCKDOWN LOCKER W/ RECESSED POCKET

TYPICAL FOR 9" & 12" WIDE, ALLOW 1/16" CREEPAGE PER FRAME
TYPICAL FOR 12", 15", 18", & 21" DEEP

This drawing shows a standard Penco Product. Any modifications to the product must be approved by Penco Engineering. 8/6/2001



121260R3T.dwg



ALUMINUM NO. PLATE

THREE SGL. PRONG WALL HOOKS EA. OPENING

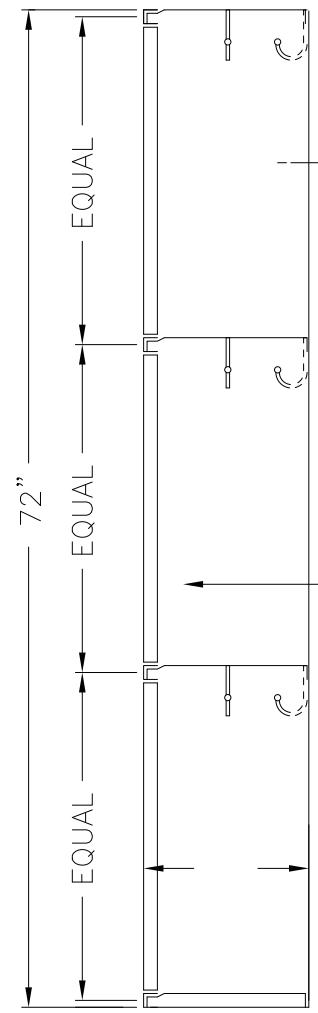
LOCK HOLE COVER PLATE

STAINLESS STEEL RECESSED POCKET WITH PADLOCK EYE

THREE LOUVERS @ BOTTOM EACH DOOR

Sold By
SchoolLockers.com
877.952.0151

16GA. DOOR & FRAME



24GA. BODY & TIER HEADS

ELEVATION

SECTION @ WALL

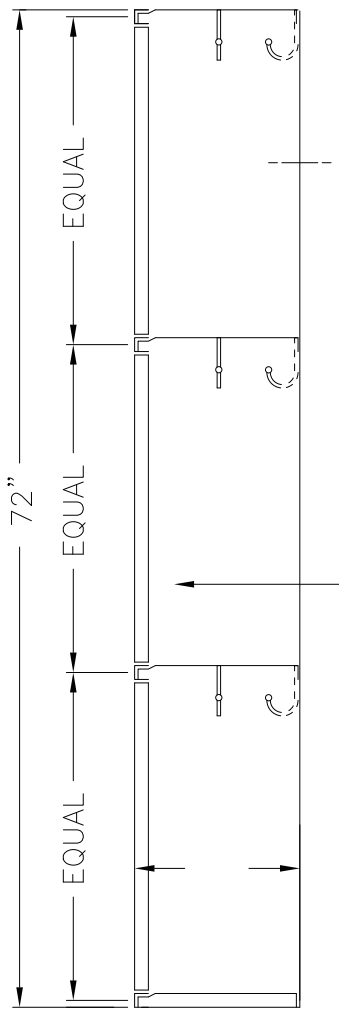
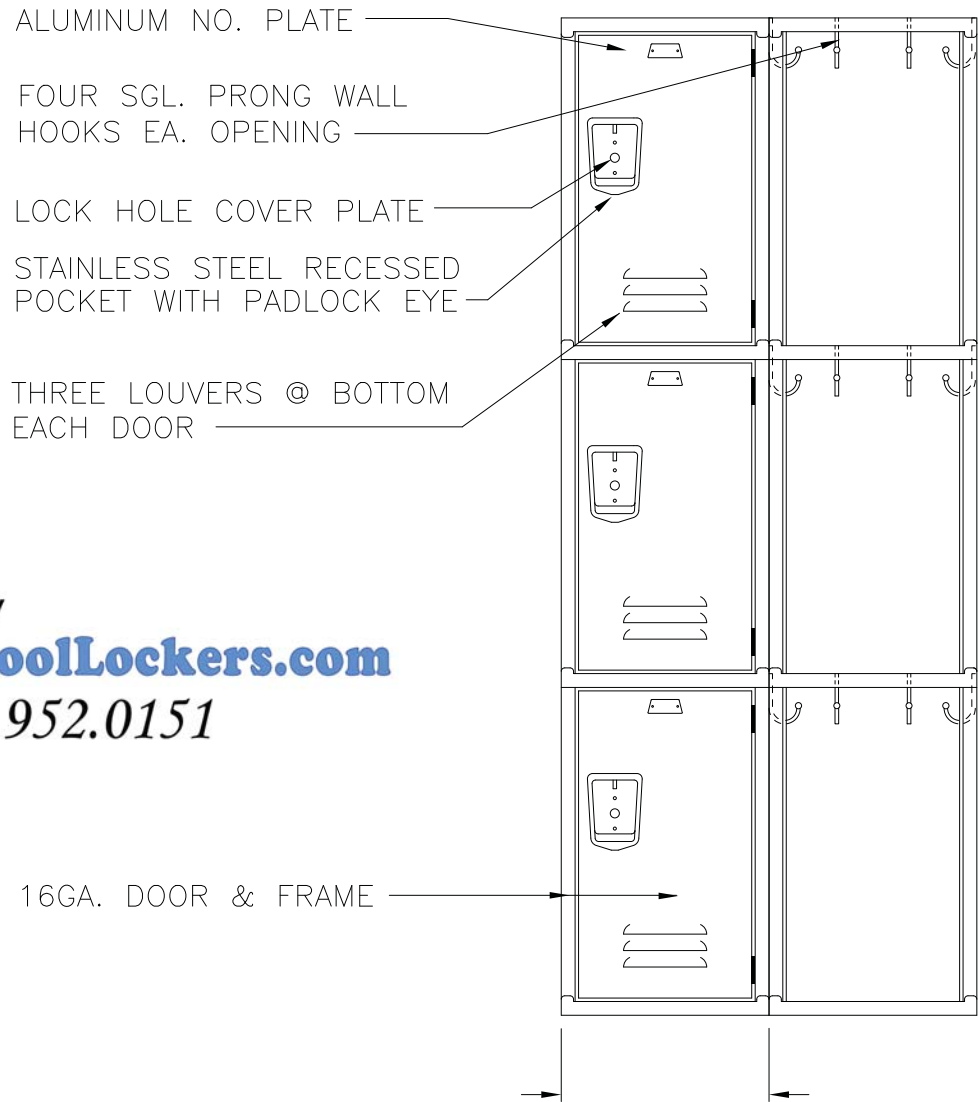
72" HIGH TRIPLE TIER VANGUARD KNOCKDOWN LOCKER W/ RECESSED POCKET

TYPICAL FOR 9" & 12" WIDE, ALLOW 1/16" CREEPAGE PER FRAME
TYPICAL FOR 12", 15", 18", & 21" DEEP

This drawing shows a standard Penco Product. Any modifications to the product must be approved by Penco Engineering. 8/6/2001



121272R3T.dwg



Sold By
SchoolLockers.com
 877.952.0151

ELEVATION

SECTION @ WALL

72" HIGH TRIPLE TIER VANGUARD KNOCKDOWN LOCKER W/ RECESSED POCKET

15" WIDE, ALLOW 1/16" CREEPAGE PER FRAME
TYPICAL FOR 12", 15", 18", & 21" DEEP

This drawing shows a standard Penco Product. Any modifications to the product must be approved by Penco Engineering. 8/6/2001

