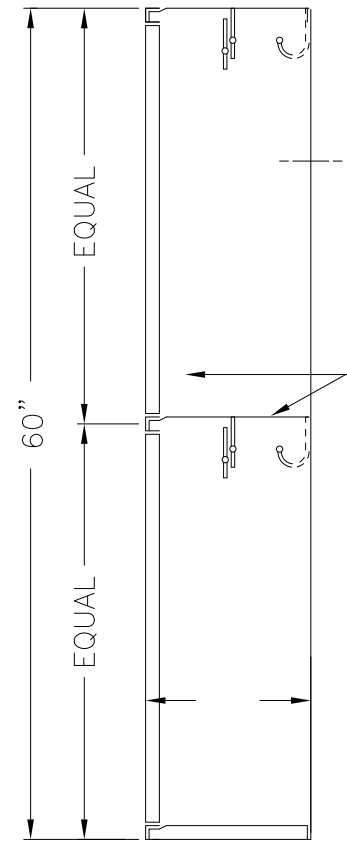
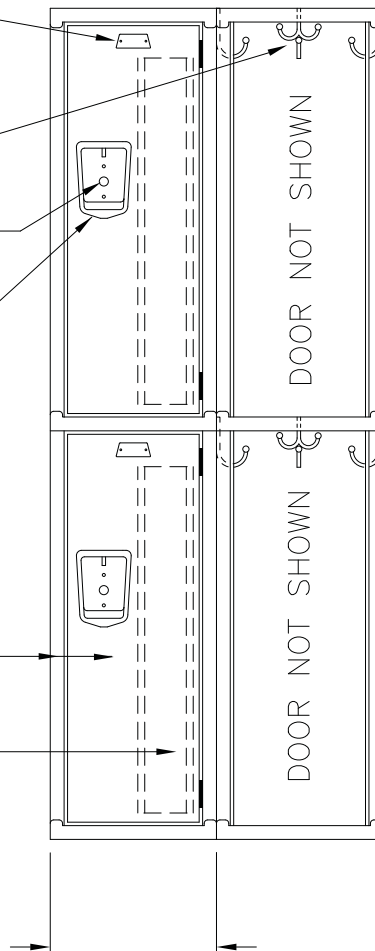


ALUMINUM NO. PLATE  
 ONE DBL. PRONG CEILING  
 HOOK & THREE SGL. PRONG  
 WALL HOOKS EA. OPENING  
 LOCK HOLE COVER PLATE  
 STAINLESS STEEL RECESSED  
 POCKET WITH PADLOCK EYE

16GA. DOOR & FRAME  
 QUIET SOUND DAMPENING  
 PANEL



24GA. BODY &  
 TIER HEADS

Sold By

**SchoolLockers.com**

**877.952.0151**) HIGH DOUBLE TIER GUARDIAN KNOCKDOWN LOCKER W/ MEDALLION OPTION

ELEVATION

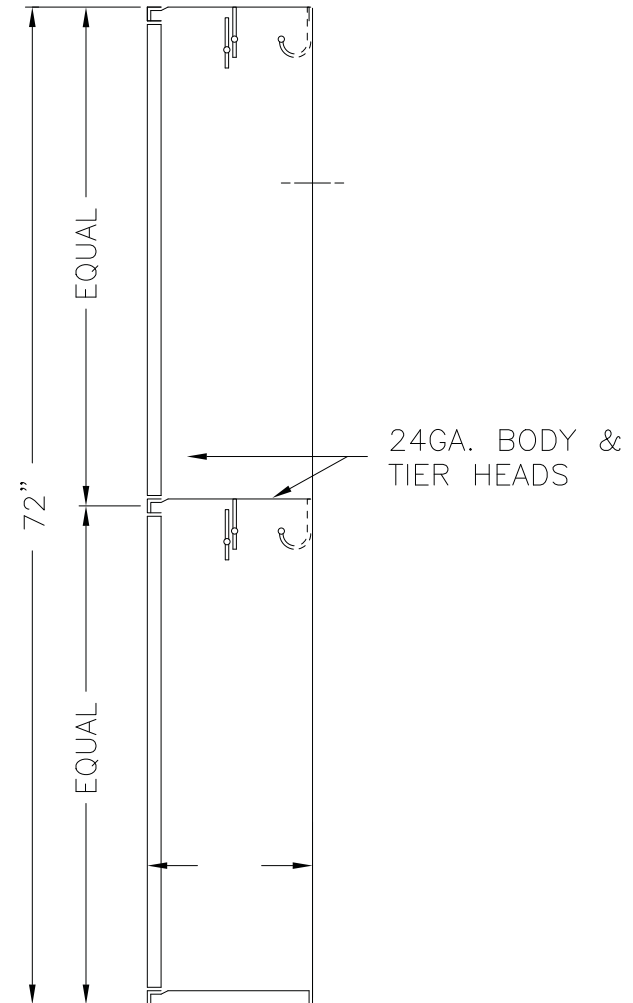
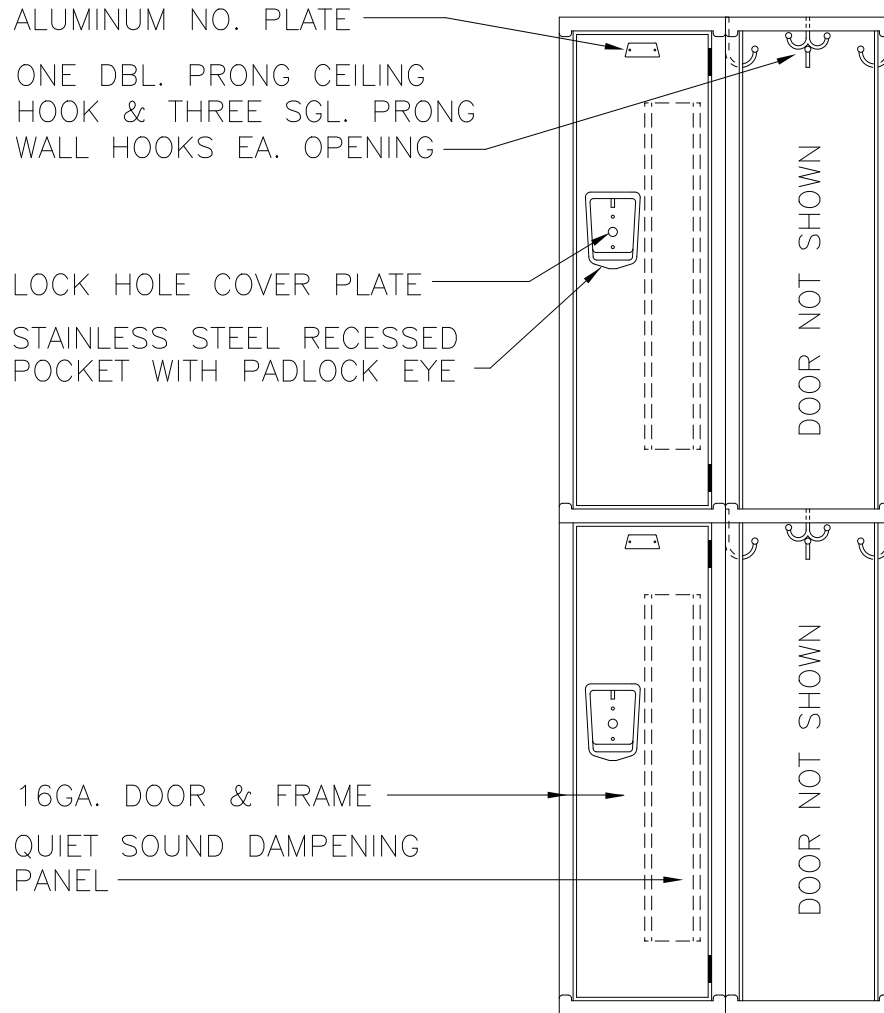
SECTION @ WALL

This drawing shows a standard Penco Product. Any modifications to the product must be approved by Penco Engineering. 8/6/2001

12" WIDE, ALLOW 1/16" CREEPAGE PER FRAME  
 TYPICAL FOR 12", 15", 18", & 21" DEEP



121260GM2T.dwg



Sold By  
**SchoolLockers.com**  
 877.952.0151

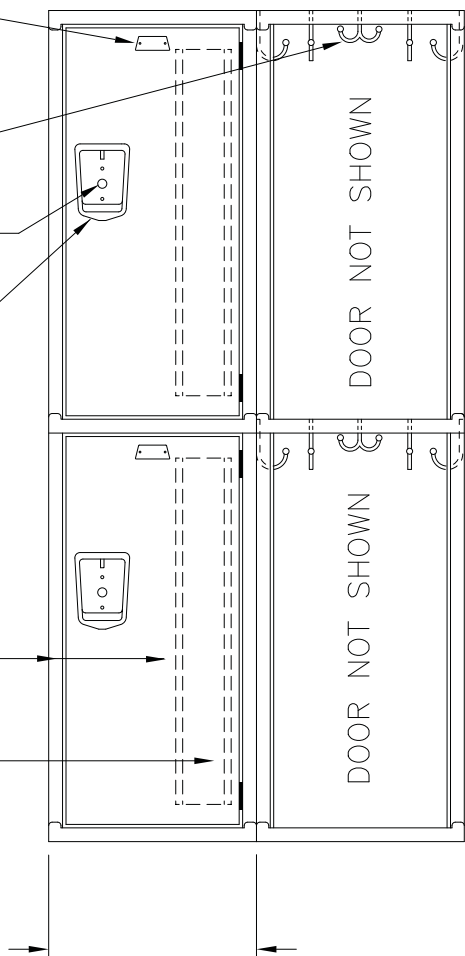
ELEVATION SECTION @ WALL  
 72" HIGH DOUBLE TIER GUARDIAN KNOCKDOWN LOCKER  
 12" WIDE, ALLOW 1/16" CREEPAGE PER FRAME  
 TYPICAL FOR 12", 15", 18", 21" & 24" DEEP

This drawing shows a standard Penco Product. Any modifications to the product must be approved by Penco Engineering. 8/6/2001

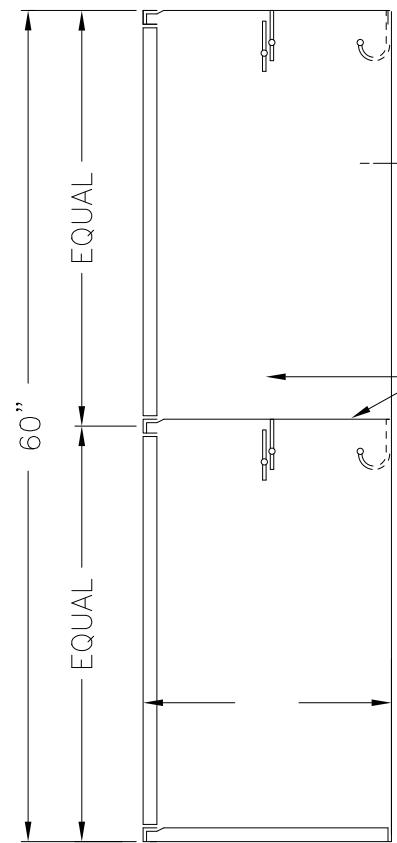


ALUMINUM NO. PLATE  
 ONE DBL. PRONG CEILING  
 HOOK & FOUR SGL. PRONG  
 WALL HOOKS EA. OPENING  
 LOCK HOLE COVER PLATE  
 STAINLESS STEEL RECESSED  
 POCKET WITH PADLOCK EYE

16GA. DOOR & FRAME  
 QUIET SOUND DAMPENING  
 PANEL



ELEVATION



SECTION @ WALL

24GA. BODY &  
 TIER HEADS

Sold By

**SchoolLockers.com**

**877.952.0151**) HIGH DOUBLE TIER GUARDIAN KNOCKDOWN LOCKER W/ MEDALLION OPTION

This drawing shows a standard Penco Product. Any modifications to the product must be approved by Penco Engineering. 8/6/2001

TYPICAL FOR 15" & 18" WIDE, ALLOW 1/16" CREEPAGE PER FRAME  
 TYPICAL FOR 12", 15", 18", 21", & 24" DEEP

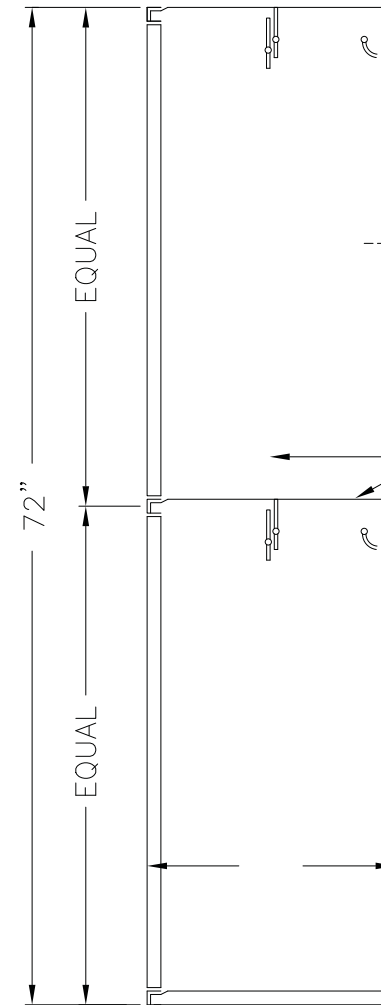
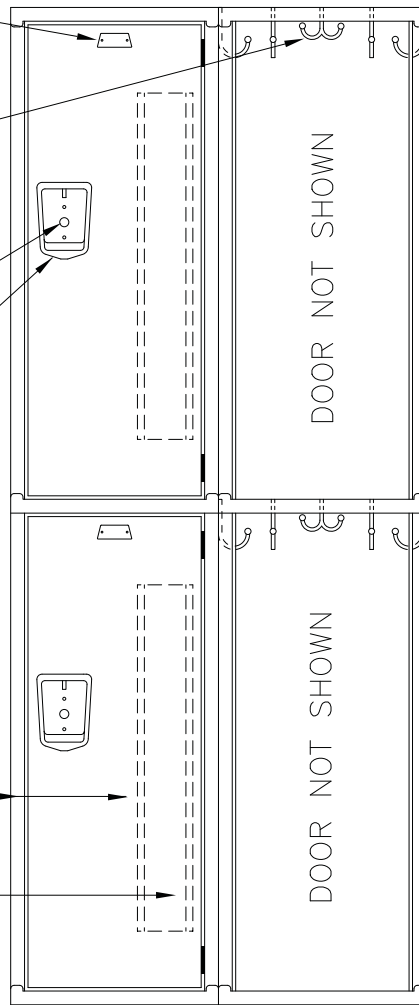


151860GM2T.dwg

ALUMINUM NO. PLATE  
 ONE DBL. PRONG CEILING  
 HOOK & FOUR SGL. PRONG  
 WALL HOOKS EA. OPENING

LOCK HOLE COVER PLATE  
 STAINLESS STEEL RECESSED  
 POCKET WITH PADLOCK EYE

16GA. DOOR & FRAME  
 QUIET SOUND DAMPENING  
 PANEL



24GA. BODY &  
 TIER HEADS

Sold By  
**SchoolLockers.com**

**877.952.0151**

72" HIGH DOUBLE TIER GUARDIAN KNOCKDOWN LOCKER W/ MEDALLION OPTION

ELEVATION

SECTION @ WALL

This drawing shows a standard Penco Product. Any modifications to the product must be approved by Penco Engineering. 8/6/2001

15" WIDE, ALLOW 1/16" CREEPAGE PER FRAME  
 TYPICAL FOR 12", 15", 18", 21", & 24" DEEP



151872GM2T.dwg