

72" HIGH DOUBLE TIER GUARDIAN DEFIANT II LOCKER

TYPICAL FOR 12" WIDE
TYPICAL FOR 12", 15" & 18" DEEP

ALUMINUM NUMBER PLATE
(FIELD INSTALL)

ONE DOUBLE PRONG CEILING
HOOK & THREE SINGLE PRONG
WALL HOOKS EACH OPENING
(FIELD INSTALL)

LOCK HOLE COVER PLATE

STAINLESS STEEL DEFIANT
HANDLE W/ PADLOCK HASP

16GA. FRAME ASSEMBLY &
14GA. SOLID DOOR W/
REINFORCEMENT PAN

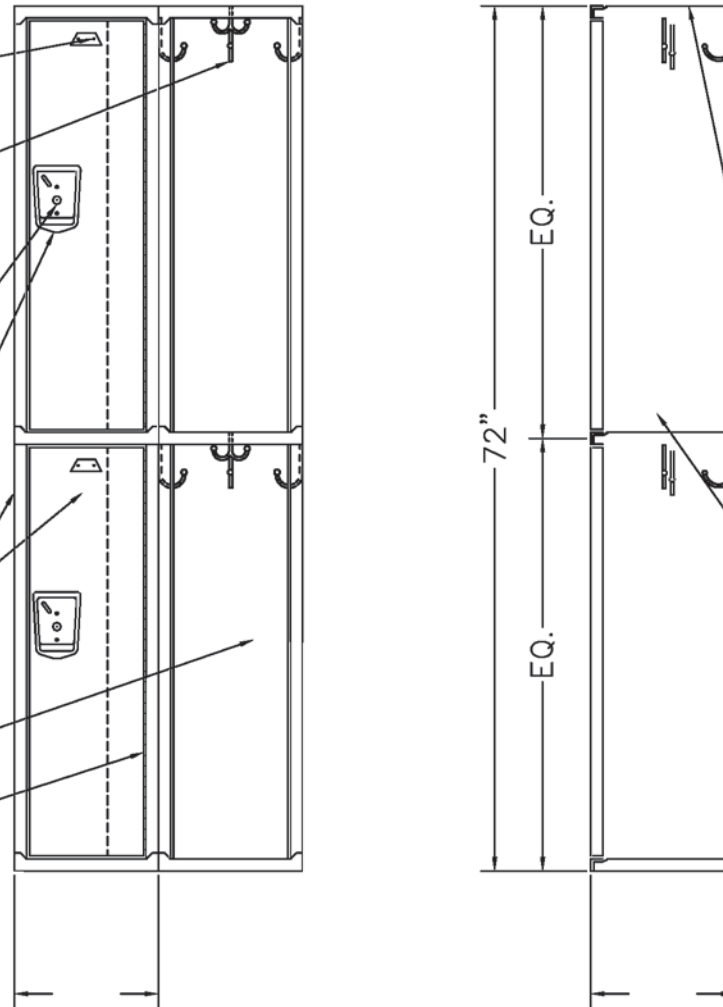
24GA. SOLID BACK

CONTINUOUS HINGE

ANCHOR LOCKERS TIGHT
TO WALL @ 36" O.C.
(ANCHORS BY OTHERS)

24GA. TOP, BOTTOM &
SHELF/TIER HEAD

24GA. SOLID DIVISION



ALLOW 1/16" CREEPAGE PER FRAME

Sold By

SchoolLockers.com

877.952.0151

99 BROWER AVE. P.O. BOX 378 OAKS, PA 19456-0378
TEL: (800) 562-1000, (610) 666-0500 FAX: (610) 666-7561

This drawing shows a standard Penco Product. Any Modification
to the product must be approved by Penco Engineering. 9/15/2006

121272GD2T.DWG



72" HIGH DOUBLE TIER GUARDIAN DEFIANT II LOCKER

TYPICAL FOR 15" & 18" WIDE
TYPICAL FOR 15" , 18" , 21" & 24" DEEP

ALUMINUM NUMBER PLATE
(FIELD INSTALL)

ONE DOUBLE PRONG CEILING
HOOK & FOUR SINGLE PRONG
WALL HOOKS EACH OPENING
(FIELD INSTALL)

LOCK HOLE COVER PLATE

STAINLESS STEEL DEFIANT
HANDLE W/ PADLOCK HASP

16GA. FRAME ASSEMBLY &
14GA. SOLID DOOR W/
REINFORCMENT PAN

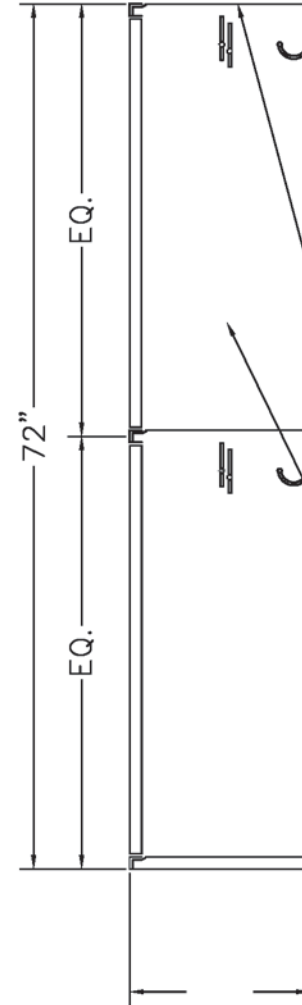
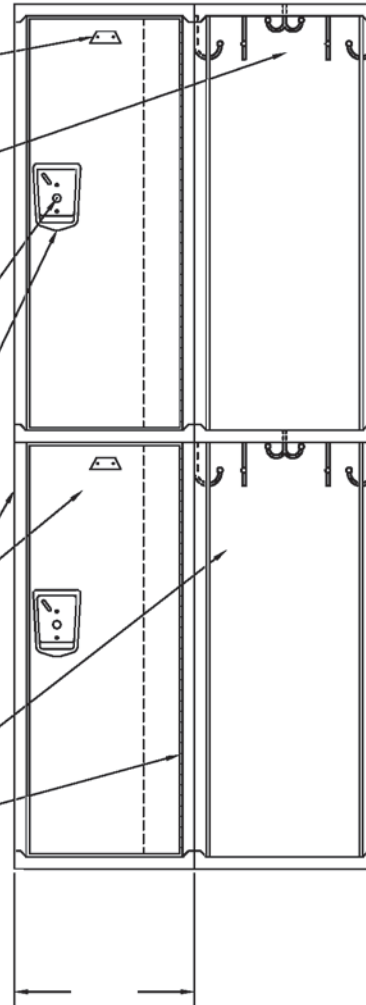
24GA. SOLID BACK

CONTINUOUS HINGE

Sold By

SchoolLockers.com

877.952.0151



ANCHOR LOCKERS TIGHT
TO WALL @ 36" O.C.
(ANCHORS BY OTHERS)

24GA. TOP, BOTTOM &
SHELF/TIER HEAD

24GA. SOLID DIVISION

ALLOW 1/16" CREEPAGE PER FRAME

72" HIGH DOUBLE TIER GUARDIAN DEFIANT II LOCKER

TYPICAL FOR > 18" WIDE
TYPICAL FOR 18", 21" & 24" DEEP

ALUMINUM NUMBER PLATE
(FIELD INSTALL)

TOW DOUBLE PRONG CEILING
HOOK & FOUR SINGLE PRONG
WALL HOOKS EACH OPENING
(FIELD INSTALL)

LOCK HOLE COVER PLATE

STAINLESS STEEL DEFIANT
HANDLE W/ PADLOCK HASP

16GA. FRAME ASSEMBLY &
14GA. SOLID DOOR W/
REINFORCMENT PAN

24GA. SOLID BACK

CONTINUOUS HINGE

ANCHOR LOCKERS TIGHT
TO WALL @ 36" O.C.
(ANCHORS BY OTHERS)

24GA. TOP, BOTTOM &
SHELF/TIER HEAD

24GA. SOLID DIVISION

ALLOW 1/16" CREEPAGE PER FRAME

Sold By

SchoolLockers.com

877.952.0151

99 BROWER AVE. P.O. BOX 378 OAKS, PA 19456-0378
TEL: (800) 562-1000, (610) 666-0500 FAX: (610) 666-7561

This drawing shows a standard Penco Product. Any Modification
to the product must be approved by Penco Engineering. 9/15/2006

241872GD2T.DWG



60" HIGH DOUBLE TIER GUARDIAN DEFIANT II LOCKER

TYPICAL FOR 12" WIDE
TYPICAL FOR 12", 15" & 18" DEEP

ALUMINUM NUMBER PLATE
(FIELD INSTALL)

ONE DOUBLE PRONG CEILING
HOOK & THREE SINGLE PRONG
WALL HOOKS EACH OPENING
(FIELD INSTALL)

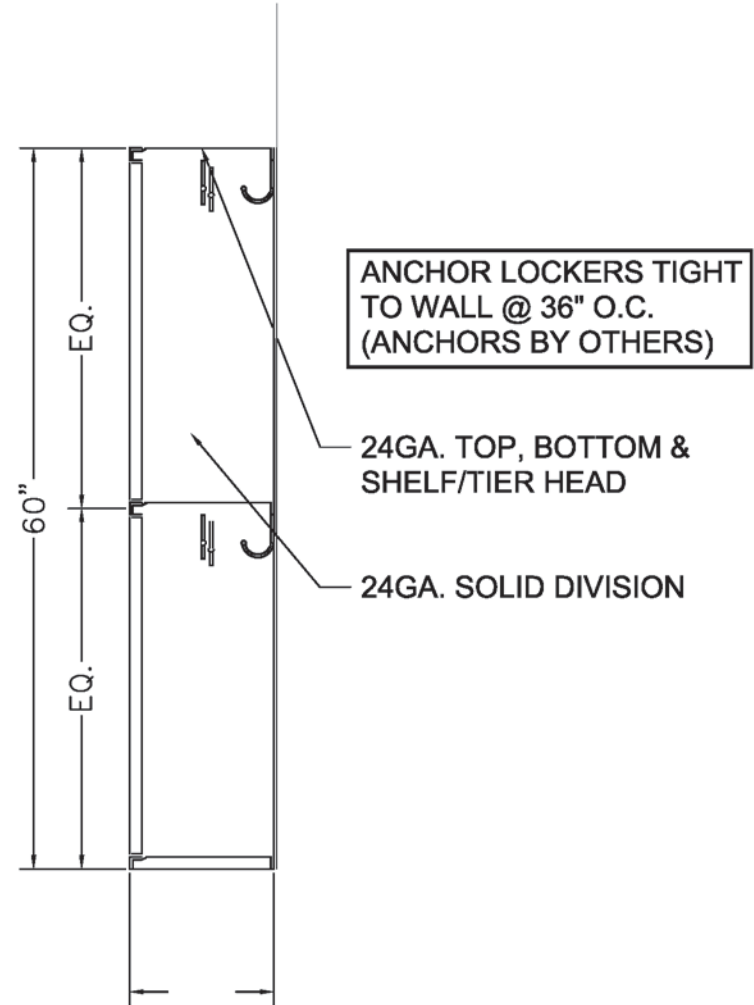
LOCK HOLE COVER PLATE

STAINLESS STEEL DEFIANT
HANDLE W/ PADLOCK HASP

16GA. FRAME ASSEMBLY &
14GA. SOLID DOOR W/
REINFORCMENT PAN

24GA. SOLID BACK

CONTINUOUS HINGE



Sold By

SchoolLockers.com

877.952.0151

ALLOW 1/16" CREEPAGE PER FRAME

60" HIGH DOUBLE TIER GUARDIAN DEFIANT II LOCKER

TYPICAL FOR 15" & 18" WIDE
TYPICAL FOR 15" , 18" , 21" & 24" DEEP

ALUMINUM NUMBER PLATE
(FIELD INSTALL)

ONE DOUBLE PRONG CEILING
HOOK & FOUR SINGLE PRONG
WALL HOOKS EACH OPENING
(FIELD INSTALL)

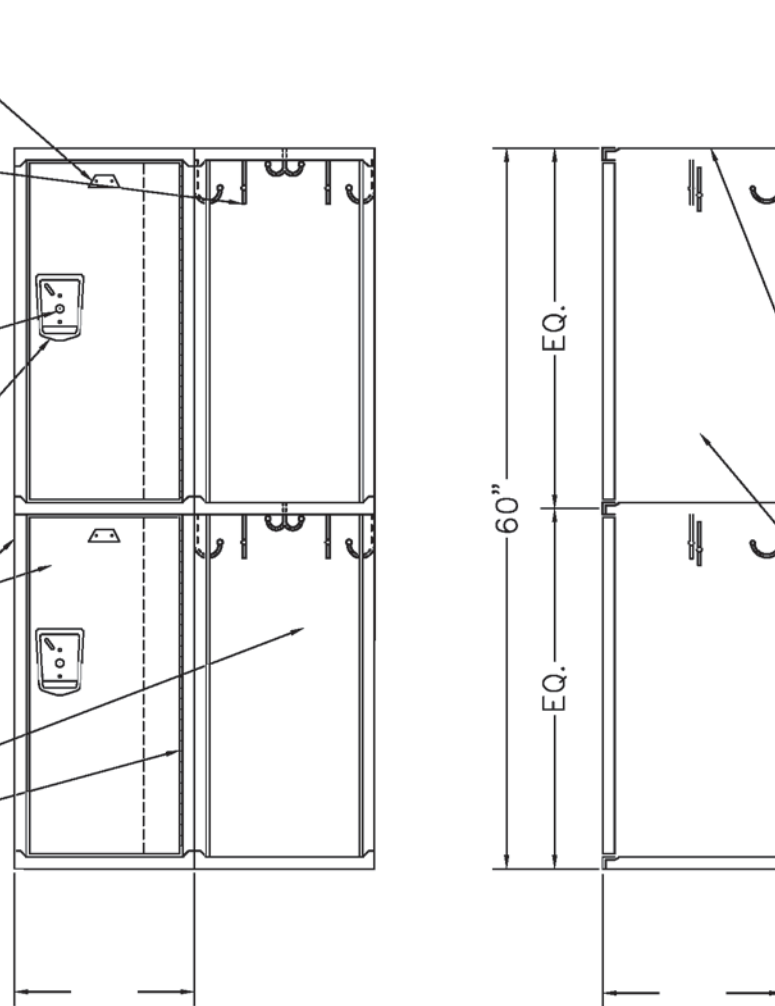
LOCK HOLE COVER PLATE

STAINLESS STEEL DEFIANT
HANDLE W/ PADLOCK HASP

16GA. FRAME ASSEMBLY &
14GA. SOLID DOOR W/
REINFORCMENT PAN

24GA. SOLID BACK

CONTINUOUS HINGE



ANCHOR LOCKERS TIGHT
TO WALL @ 36" O.C.
(ANCHORS BY OTHERS)

24GA. TOP, BOTTOM &
SHELF/TIER HEAD

24GA. SOLID DIVISION

Sold By

SchoolLockers.com

877.952.0151

ALLOW 1/16" CREEPAGE PER FRAME

60" HIGH DOUBLE TIER GUARDIAN DEFIANT II LOCKER

TYPICAL FOR >18" WIDE
TYPICAL FOR 18", 21" & 24" DEEP

ALUMINUM NUMBER PLATE
(FIELD INSTALL)

TOW DOUBLE PRONG CEILING
HOOK & FOUR SINGLE PRONG
WALL HOOKS EACH OPENING
(FIELD INSTALL)

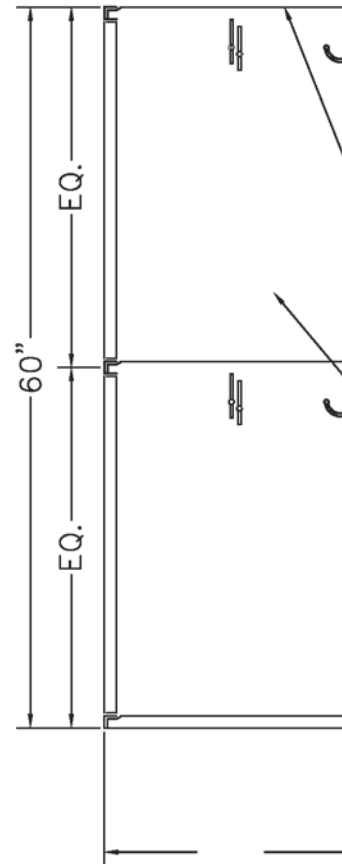
LOCK HOLE COVER PLATE

STAINLESS STEEL DEFIANT
HANDLE W/ PADLOCK HASP

16GA. FRAME ASSEMBLY &
14GA. SOLID DOOR W/
REINFORCMENT PAN

24GA. SOLID BACK

CONTINUOUS HINGE



ANCHOR LOCKERS TIGHT
TO WALL @ 36" O.C.
(ANCHORS BY OTHERS)

24GA. TOP, BOTTOM &
SHELF/TIER HEAD

24GA. SOLID DIVISION

Sold By

SchoolLockers.com

877.952.0151

99 BROWER AVE. P.O. BOX 378 OAKS, PA 19456-0378
TEL: (800) 562-1000, (610) 666-0500 FAX: (610) 666-7561

This drawing shows a standard Penco Product. Any Modification
to the product must be approved by Penco Engineering. 9/15/2006

242160GD2T.DWG

