

Sold By
SchoolLockers.com
 877.952.0151

ELEVATION

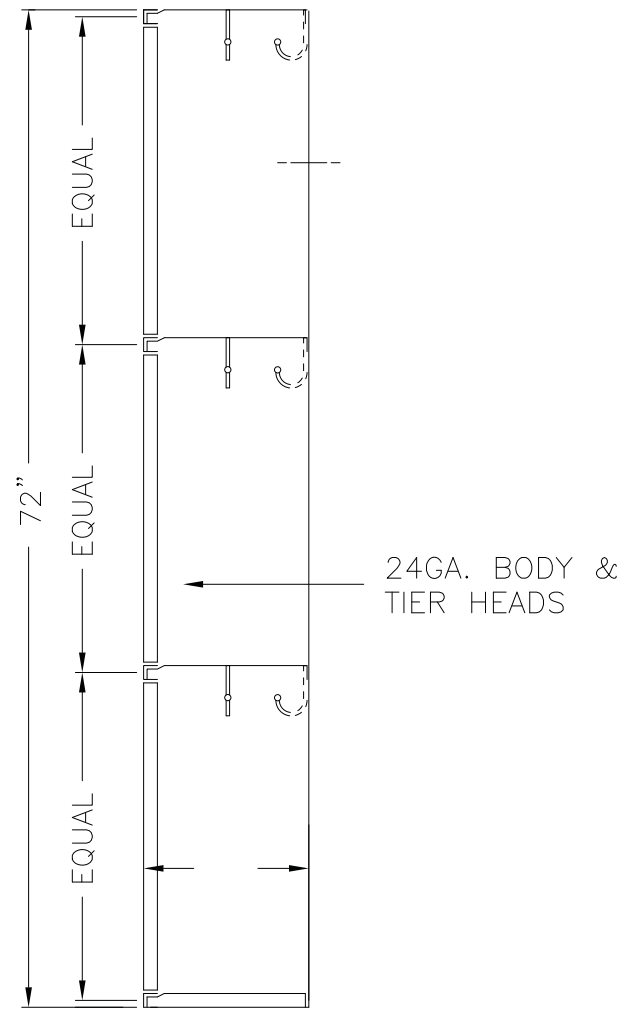
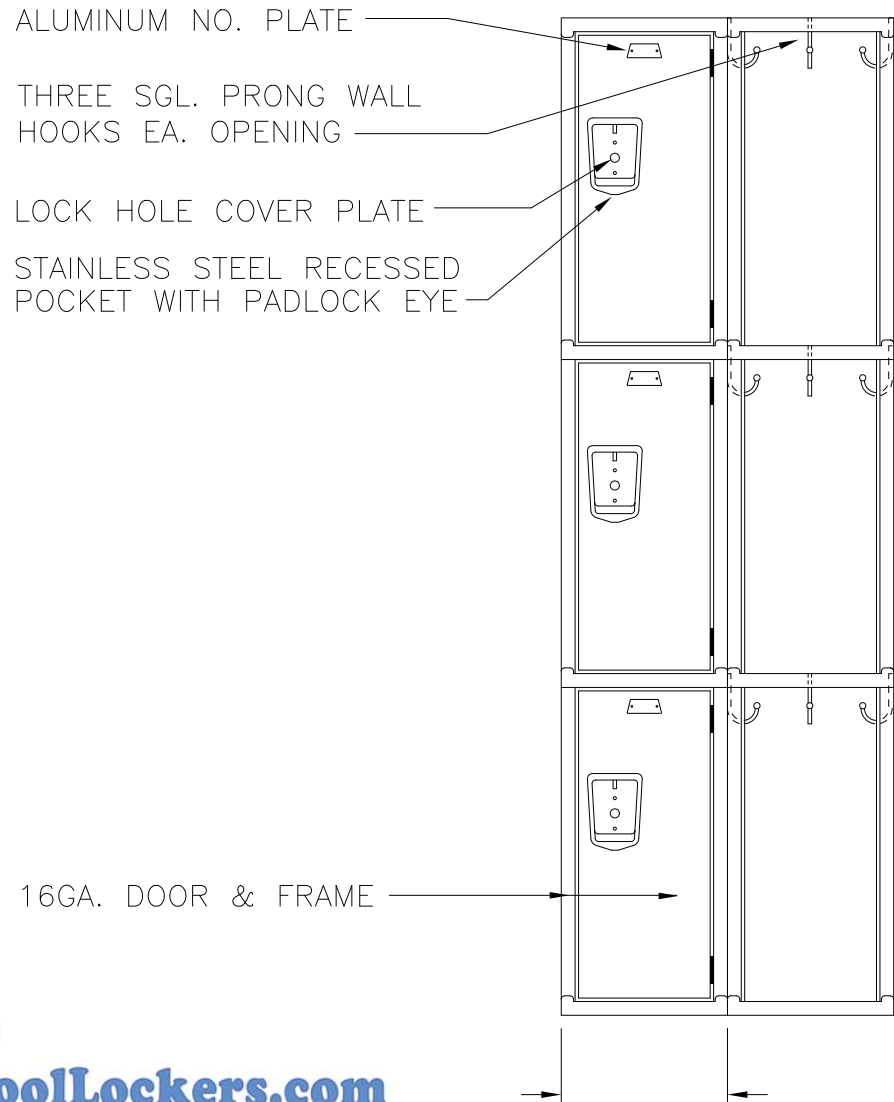
SECTION @ WALL

60" HIGH TRIPLE TIER GUARDIAN KNOCKDOWN LOCKER

TYPICAL FOR 9" & 12" WIDE, ALLOW 1/16" CREEPAGE PER FRAME
 TYPICAL FOR 12", 15", 18", & 21" DEEP

This drawing shows a standard Penco Product. Any modifications to the product must be approved by Penco Engineering. 8/6/2001



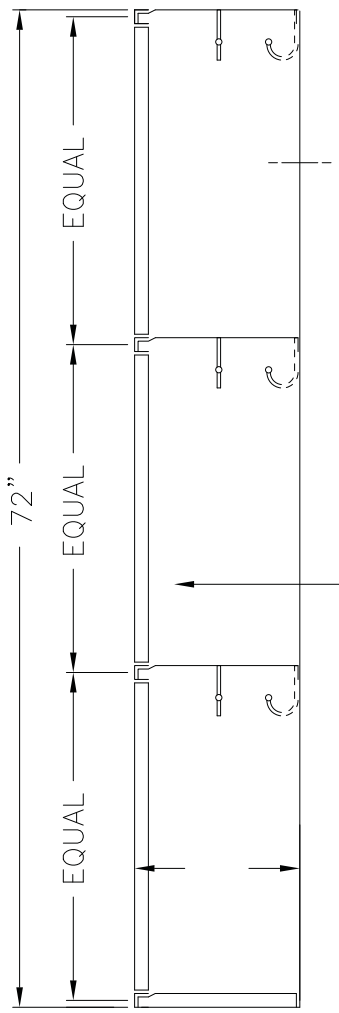
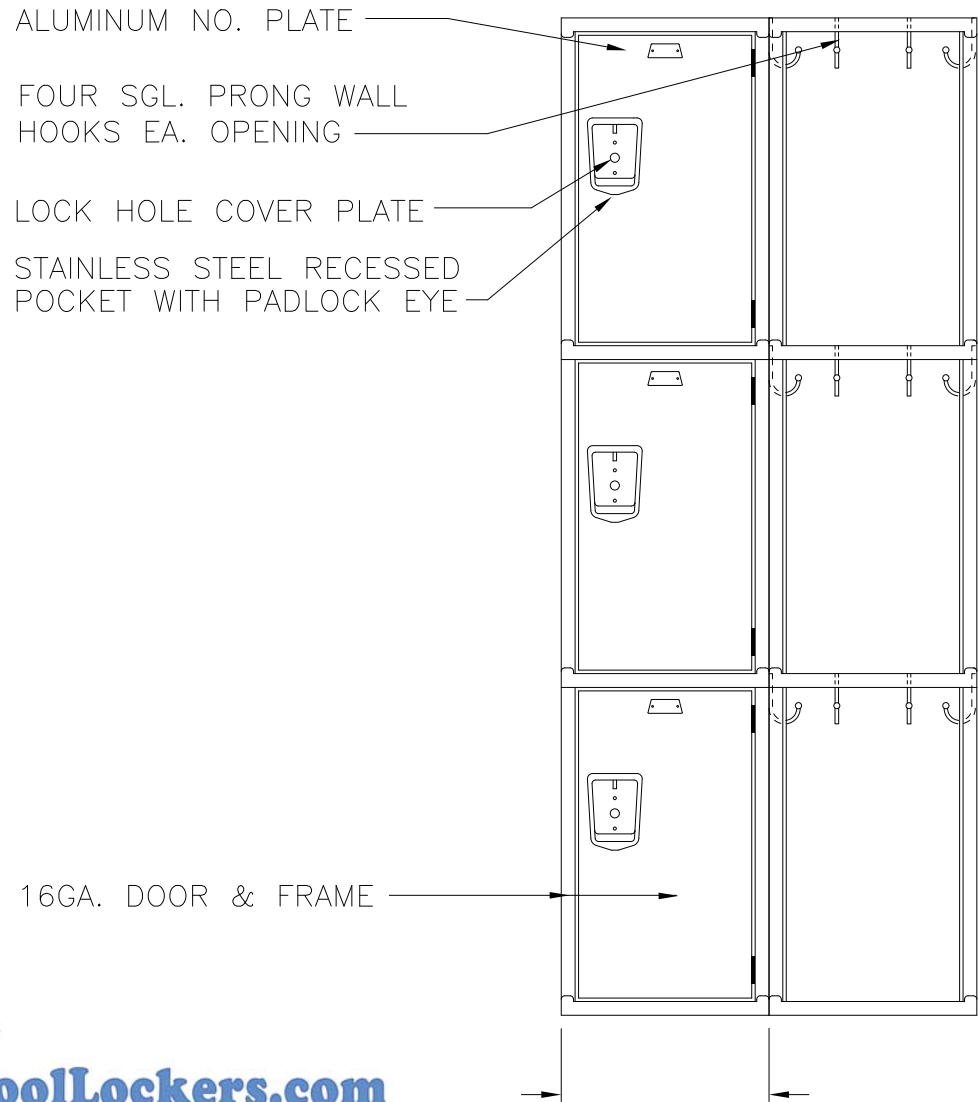


Sold By
SchoolLockers.com
877.952.0151

ELEVATION SECTION @ WALL
72" HIGH TRIPLE TIER GUARDIAN KNOCKDOWN LOCKER
 TYPICAL FOR 9" & 12" WIDE, ALLOW 1/16" CREEPAGE PER FRAME
 TYPICAL FOR 12", 15", 18", & 21" DEEP

This drawing shows a standard Penco Product. Any modifications to the product must be approved by Penco Engineering. 8/6/2001





24GA. BODY & TIER HEADS

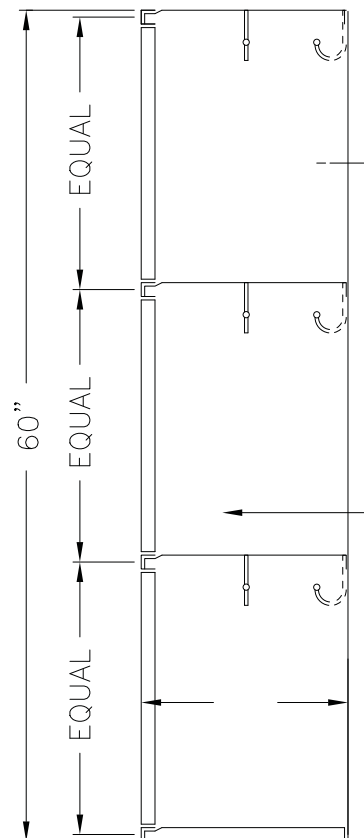
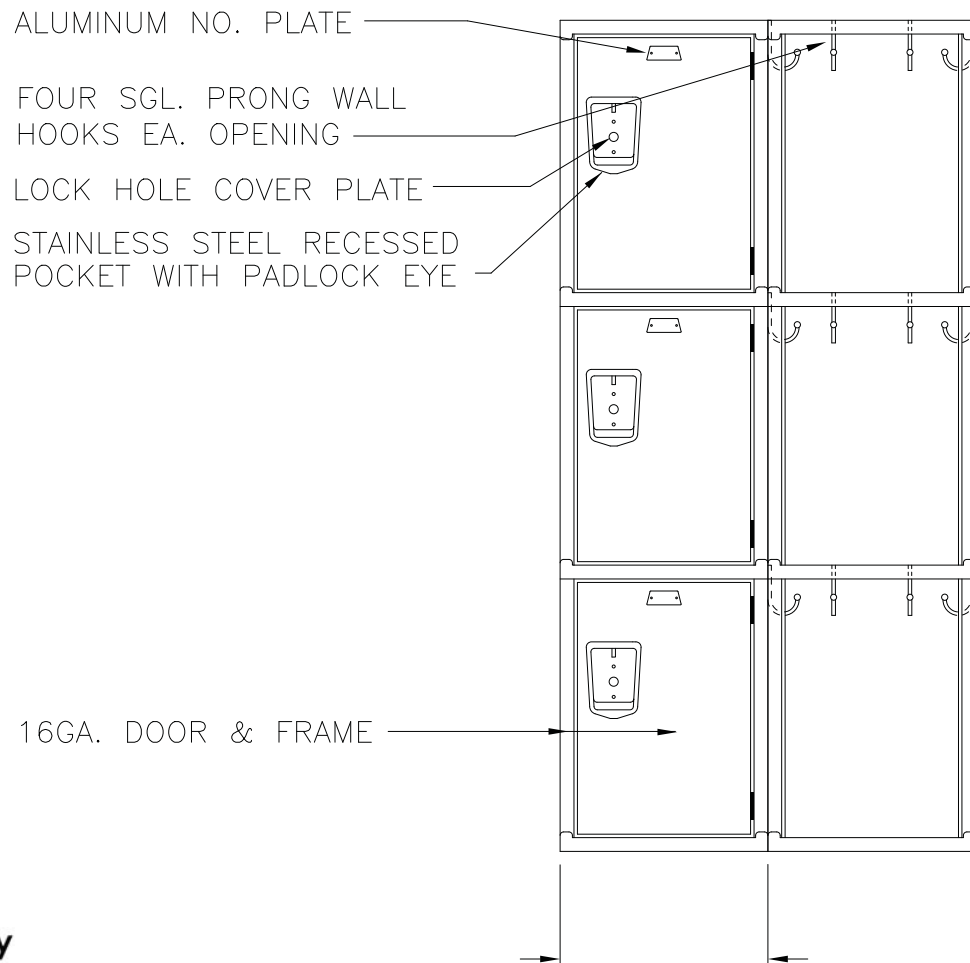
Sold By
SchoolLockers.com
 877.952.0151

ELEVATION SECTION @ WALL
 72" HIGH TRIPLE TIER GUARDIAN KNOCKDOWN LOCKER

15" WIDE, ALLOW 1/16" CREEPAGE PER FRAME
 TYPICAL FOR 12", 15", 18", & 21" DEEP

This drawing shows a standard Penco Product. Any modifications to the product must be approved by Penco Engineering. 8/6/2001





ELEVATION

SECTION @ WALL

60" HIGH TRIPLE TIER GUARDIAN KNOCKDOWN LOCKER

15" WIDE, ALLOW 1/16" CREEPAGE PER FRAME
TYPICAL FOR 12", 15", 18", & 21" DEEP

Sold By
SchoolLockers.com
877.952.0151

This drawing shows a standard Penco Product. Any modifications to the product must be approved by Penco Engineering. 8/6/2001



151560G3T.dwg