

ALUMINUM NO. PLATE

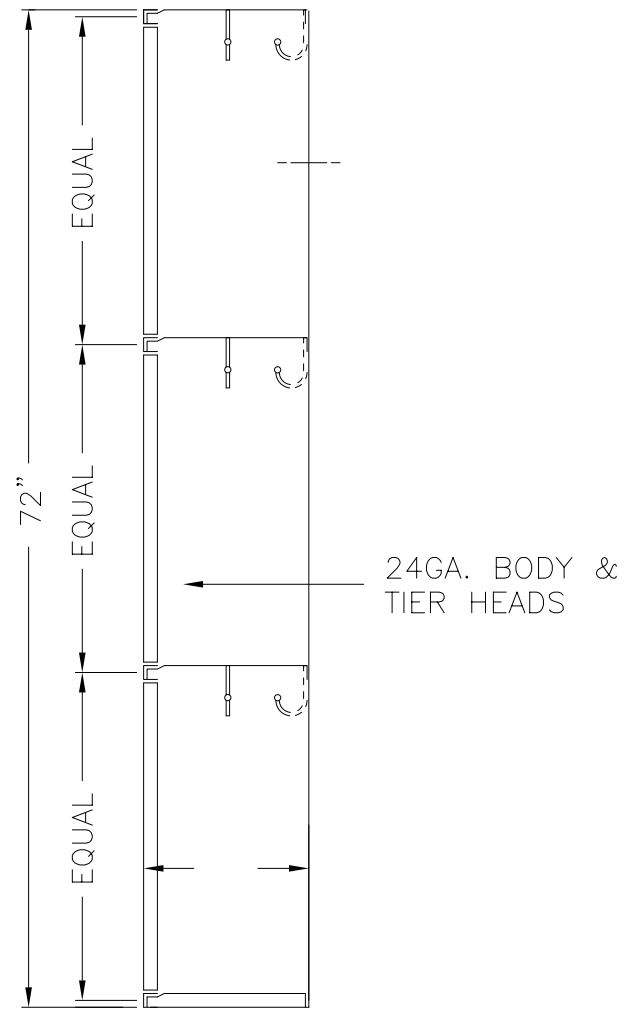
THREE SGL. PRONG WALL  
HOOKS EA. OPENING

LOCK HOLE COVER PLATE

STAINLESS STEEL RECESSED  
POCKET WITH PADLOCK EYE

16GA. DOOR & FRAME

QUIET SOUND DAMPENING  
PANEL



72"

EQUAL

EQUAL

EQUAL

24GA. BODY &  
TIER HEADS

**Sold By**  
**SchoolLockers.com**  
**877.952.0151**

ELEVATION

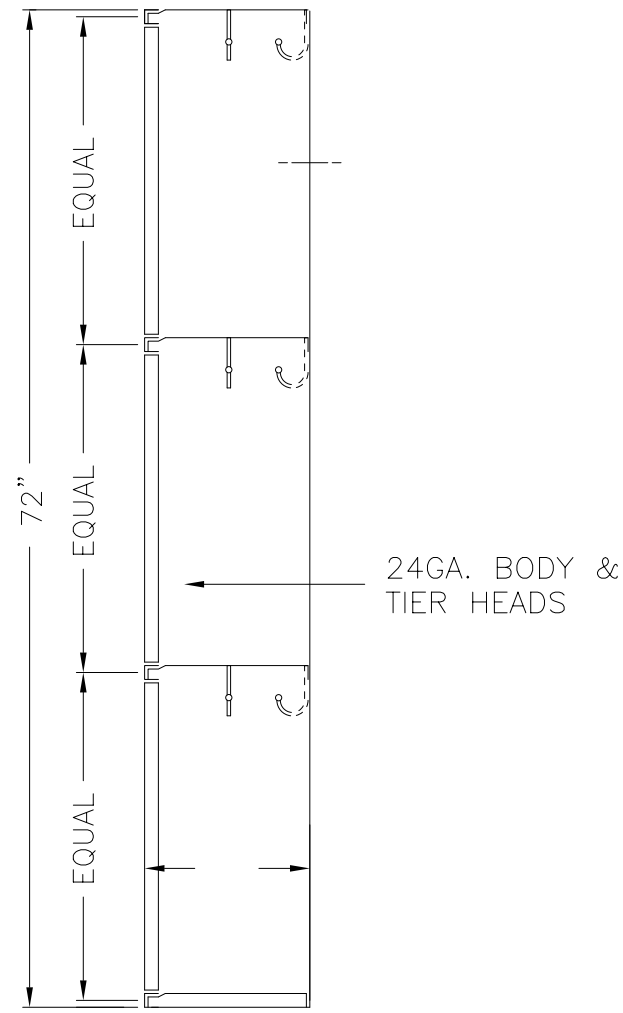
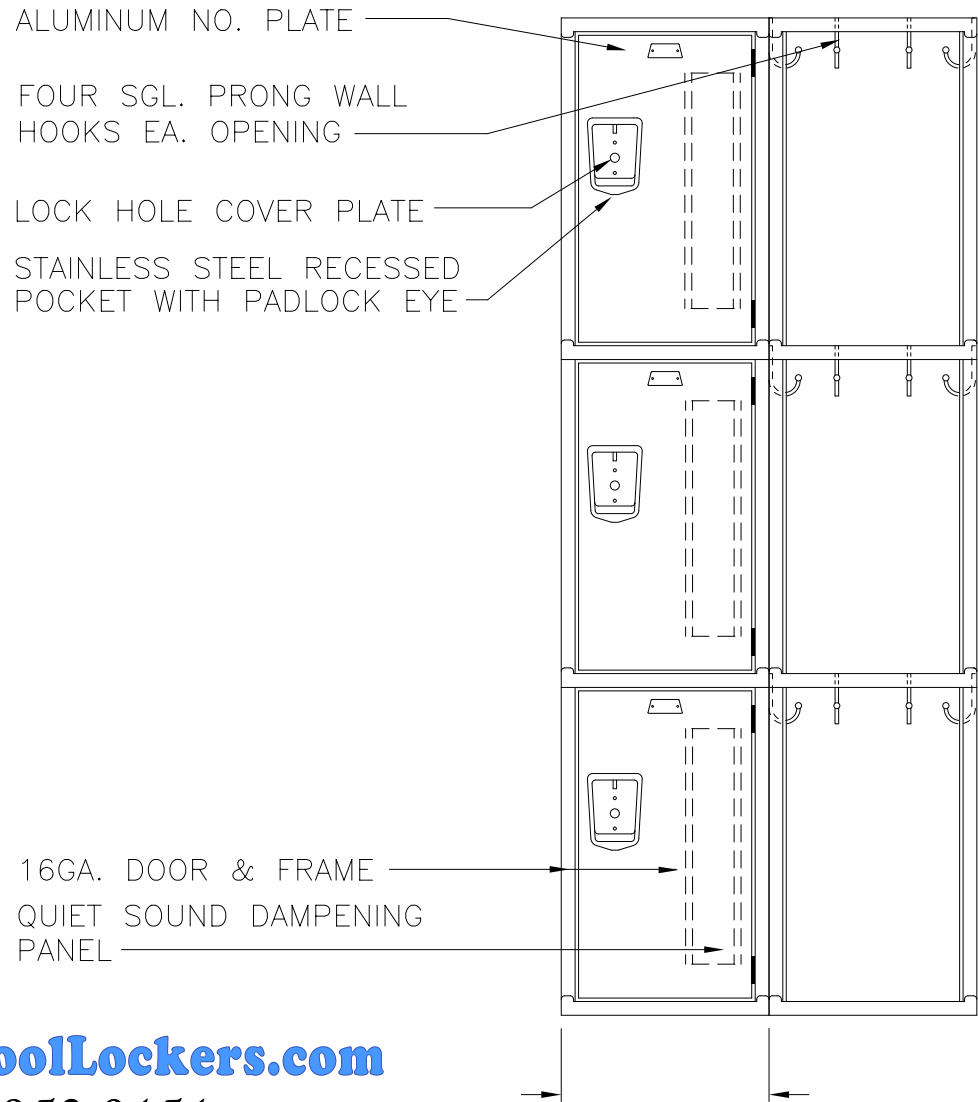
SECTION @ WALL

72" HIGH TRIPLE TIER GUARDIAN KNOCKDOWN LOCKER W/ MEDALLION OPTION

12" WIDE, ALLOW 1/16" CREEPAGE PER FRAME  
TYPICAL FOR 12", 15", 18", & 21" DEEP

This drawing shows a standard Penco Product. Any modifications to the product must be approved by Penco Engineering. 8/6/2001





ELEVATION

SECTION @ WALL

72" HIGH TRIPLE TIER GUARDIAN KNOCKDOWN LOCKER W/ MEDALLION OPTION

15" WIDE, ALLOW 1/16" CREEPAGE PER FRAME  
TYPICAL FOR 12", 15", 18", & 21" DEEP

Sold By  
**SchoolLockers.com**  
877.952.0151

This drawing shows a standard Penco Product. Any modifications to the product must be approved by Penco Engineering. 8/6/2001