

ALUMINUM NO. PLATE

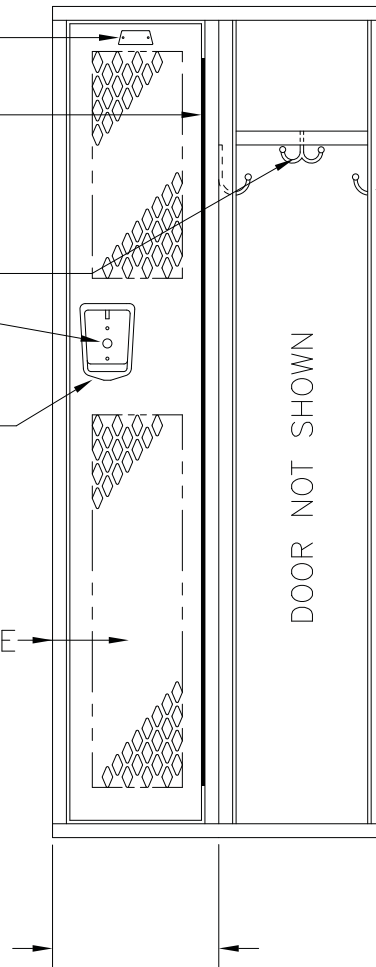
CONTINUOUS HINGE

ONE DBL. PRONG CEILING HOOK & TWO SGL. PRONG WALL HOOKS EA. OPG.

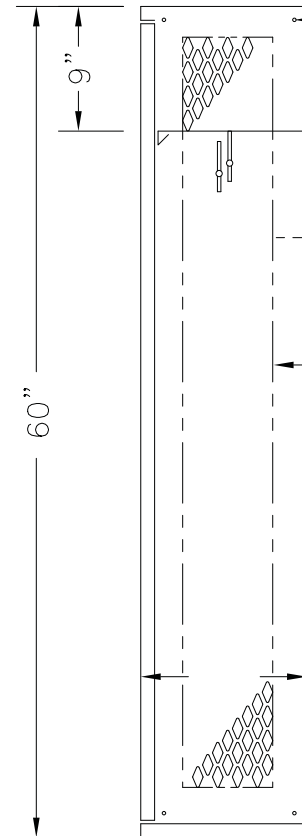
LOCK HOLE COVER PLATE

STAINLESS STEEL RECESSED POCKET WITH PADLOCK EYE

14GA. DOOR & 16GA. FRAME  
DOOR RECEIVES DIAMOND PERFORATIONS



ELEVATION



SECTION @ WALL

BOLT WELDED LOCKER UNITS TOGETHER @ 4 PLACES

16GA. TOP, BOTTOM, SHELF & DIVISIONS  
DIVISION RECEIVES DIAMOND PERFORATIONS

18GA. BACK

Sold By

**SchoolLockers.com**

**877.952.0151**

This drawing shows a standard Penco Product. Any modifications to the product must be approved by Penco Engineering. 8/6/2001

60" HIGH SINGLE TIER ALL-WELDED LOCKER  
TYPICAL FOR 9", 12" & 15" WIDE, ALLOW 1/16" CREEPAGE PER FRAME  
TYPICAL FOR 12", 15", 18", 21" & 24" DEEP



121260AW.dwg

ALUMINUM NO. PLATE

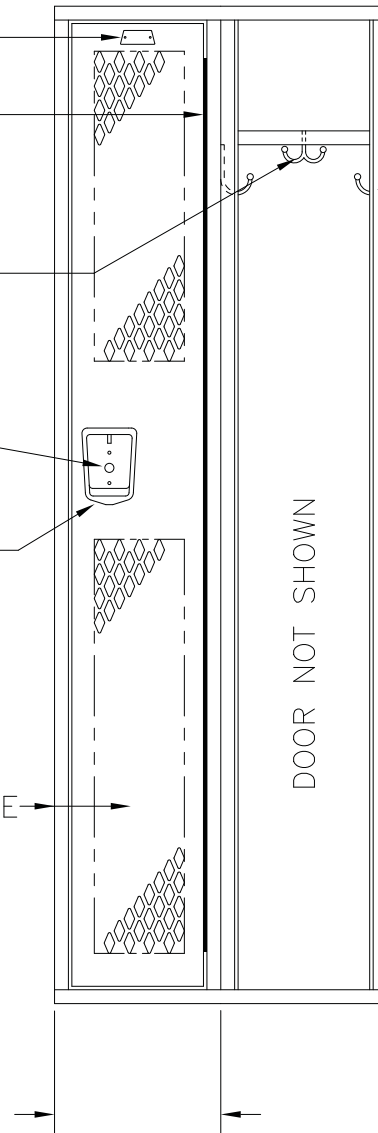
CONTINUOUS HINGE

ONE DBL. PRONG CEILING HOOK & TWO SGL. PRONG WALL HOOKS EA. OPG.

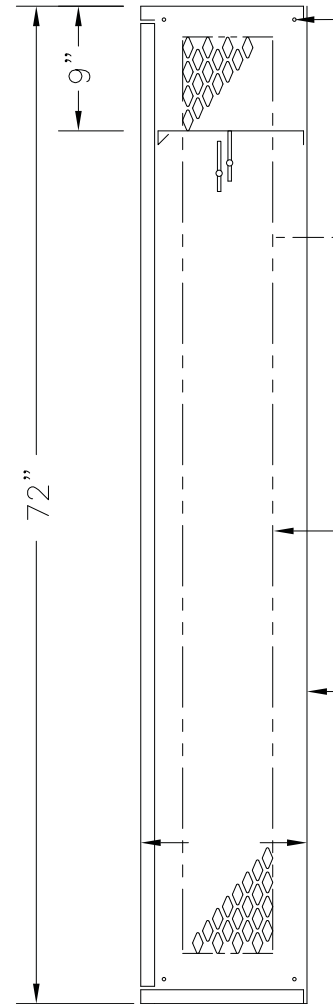
LOCK HOLE COVER PLATE

STAINLESS STEEL RECESSED POCKET WITH PADLOCK EYE

14GA. DOOR & 16GA. FRAME  
DOOR RECEIVES DIAMOND PERFORATIONS



ELEVATION



BOLT WELDED LOCKER UNITS TOGETHER @ 4 PLACES

16GA. TOP, BOTTOM, SHELF & DIVISIONS  
DIVISION RECEIVES DIAMOND PERFORATIONS

18GA. BACK

SECTION @ WALL

Sold By

**SchoolLockers.com**

**877.952.0151**

This drawing shows a standard Penco Product. Any modifications to the product must be approved by Penco Engineering. 8/6/2001

72" HIGH SINGLE TIER ALL-WELDED LOCKER  
TYPICAL FOR 9", 12" & 15" WIDE, ALLOW 1/16" CREEPAGE PER FRAME  
TYPICAL FOR 12", 15", 18", 21" & 24" DEEP



121272AW.dwg

ALUMINUM NO. PLATE

CONTINUOUS HINGE

ONE DBL. PRONG CEILING &  
FOUR SGL. PRONG WALL  
HOOKS EA. OPG.

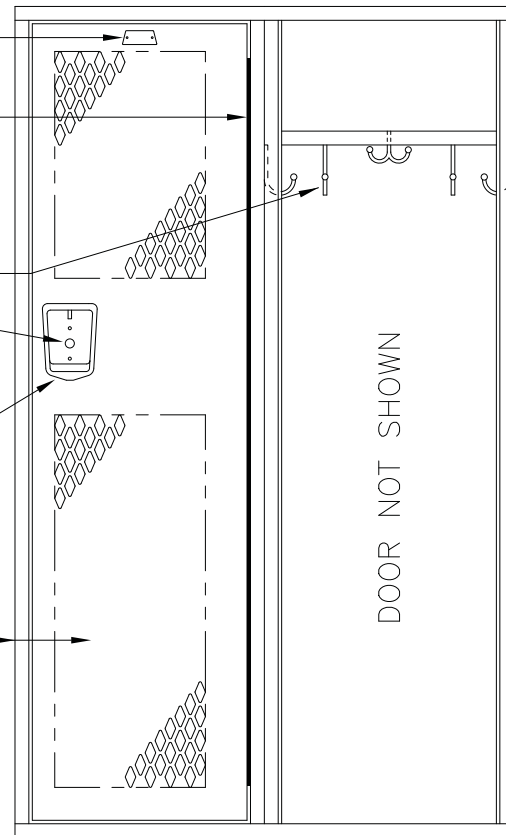
LOCK HOLE COVER PLATE

STAINLESS STEEL RECESSED  
POCKET WITH PADLOCK EYE

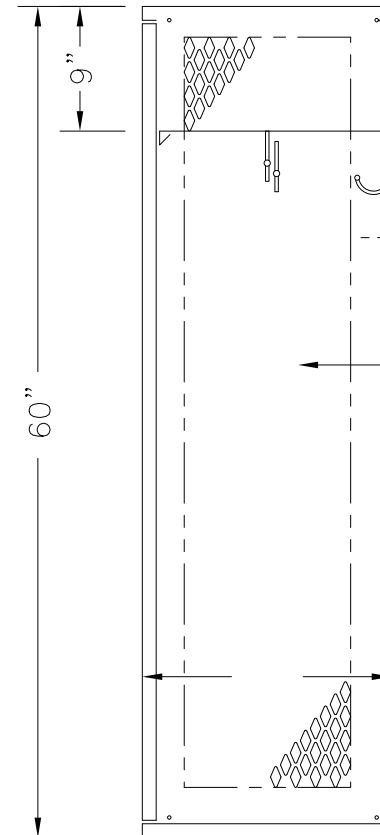
14GA. DOOR & 16GA. FRAME

DOOR RECEIVES DIAMOND  
PERFORATIONS

DOOR REINFORCING PAN



ELEVATION



60"

9"

BOLT WELDED LOCKER  
UNITS TOGETHER @ 4  
PLACES

16GA. TOP, BOTTOM,  
SHELF & DIVISIONS  
DIVISION RECEIVES DIAMOND  
PERFORATIONS

18GA. BACK

SECTION @ WALL

Sold By

**SchoolLockers.com**

**877.952.0151**

**60" HIGH SINGLE TIER ALL-WELDED LOCKER**  
18" & 24" WIDE, ALLOW 1/16" CREEPAGE PER FRAME  
TYPICAL FOR 18", 21", & 24" DEEP

This drawing shows a standard Penco Product. Any modifications to the product must be approved by Penco Engineering. 8/6/2001



181860.dwg

ALUMINUM NO. PLATE

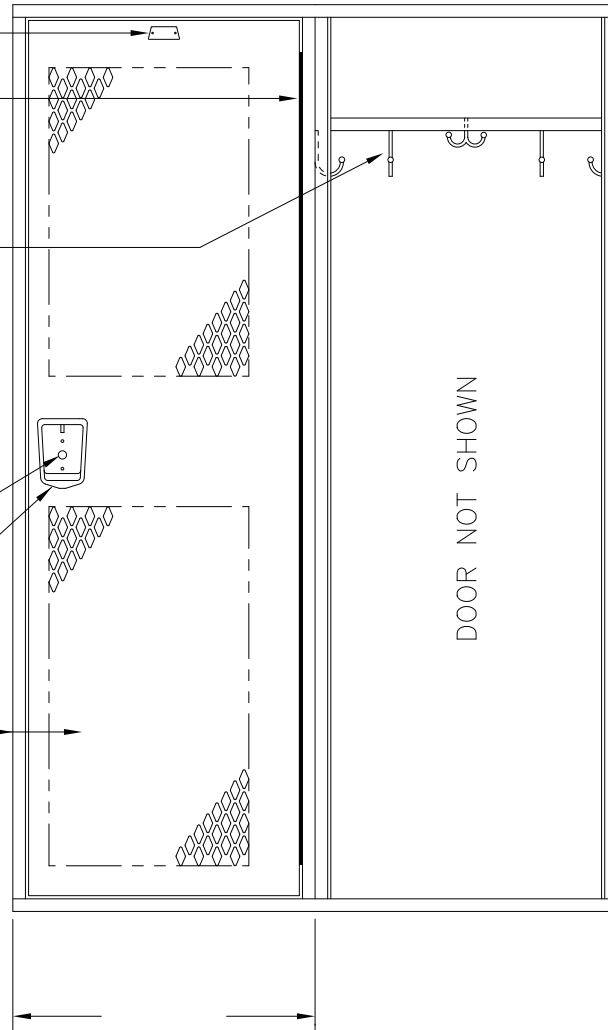
CONTINUOUS HINGE

ONE DBL. PRONG CEILING HOOK  
& FOUR SGL. PRONG WALL  
HOOKS EA. OPG.

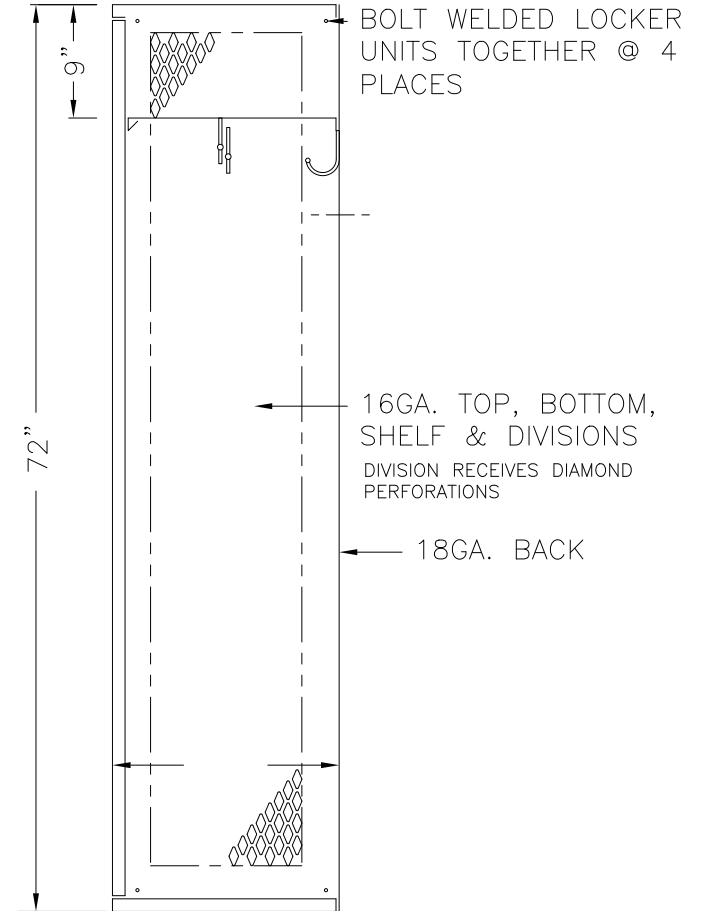
LOCK HOLE COVER PLATE

STAINLESS STEEL RECESSED  
POCKET WITH PADLOCK EYE

14GA. DOOR & 16GA. FRAME  
DOOR RECEIVES REINFORCING PAN  
DOOR RECEIVES DIAMOND  
PERFORATIONS



ELEVATION



SECTION @ WALL

Sold By

**SchoolLockers.com**

**877.952.0151**

72" HIGH SINGLE TIER SINGLE DOOR ALL-WELDED LOCKER

TYPICAL FOR 18" & 24" WIDE, ALLOW 1/16" CREEPAGE PER FRAME

TYPICAL FOR 18", 21", & 24" DEEP

This drawing shows a standard Penco Product. Any modifications to the product must be approved by Penco Engineering. 8/6/2001



241872AW.dwg