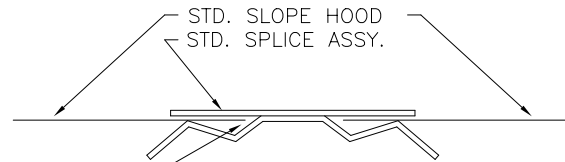
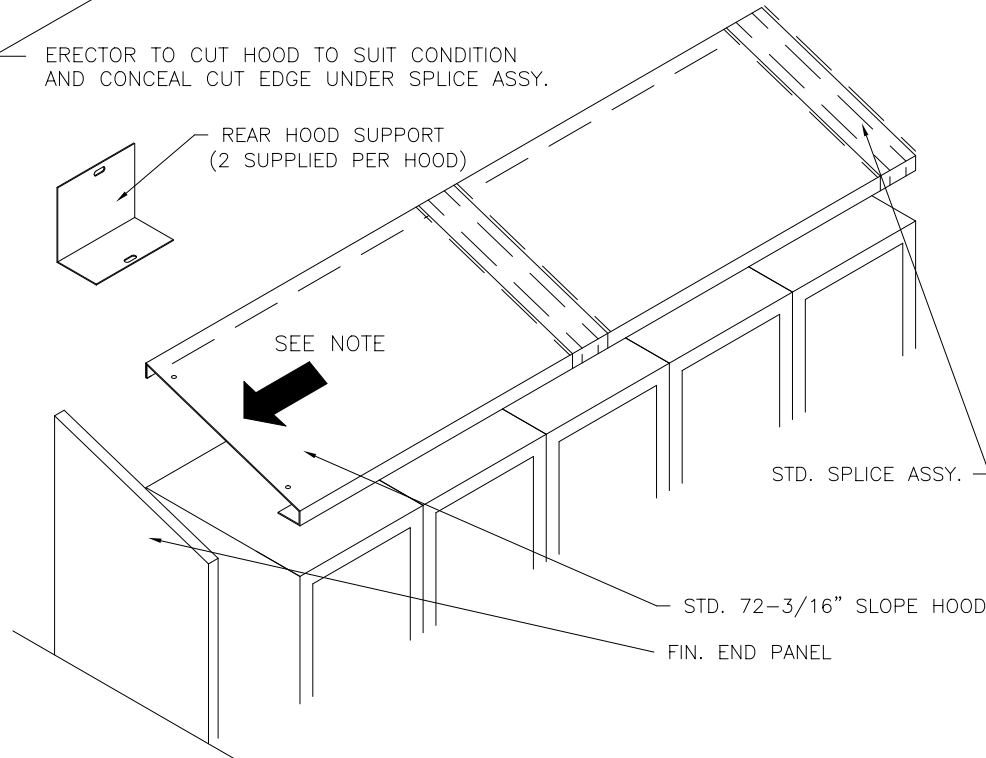
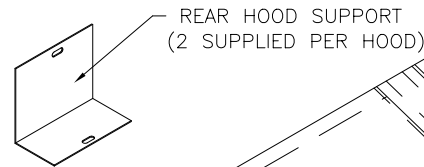


INSIDE FIN. END PANEL DETAIL

END OF HOOD SLIDES IN BETWEEN TOP FLANGE AND WELDED TOP ANGLE PC. (3/32" SPACE)



ERECTOR TO CUT HOOD TO SUIT CONDITION AND CONCEAL CUT EDGE UNDER SPLICE ASSY.



Sold By

**SchoolLockers.com**

877.952.0151

SLOPE FINISHED END PANEL & HOOD DETAIL

This drawing shows a standard Penco Product. Any modifications to the product must be approved by Penco Engineering. 8/6/2001



ENDPANEL.dwg