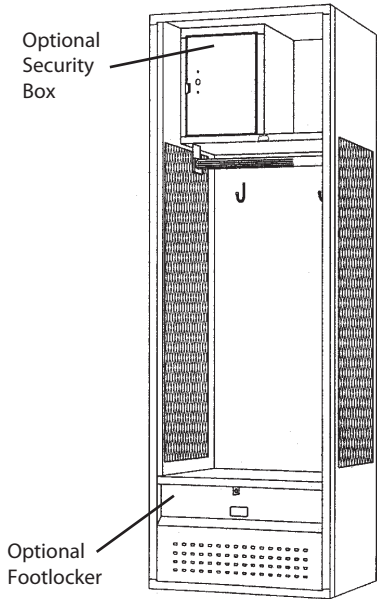




**Assembly of Stadium Locker**

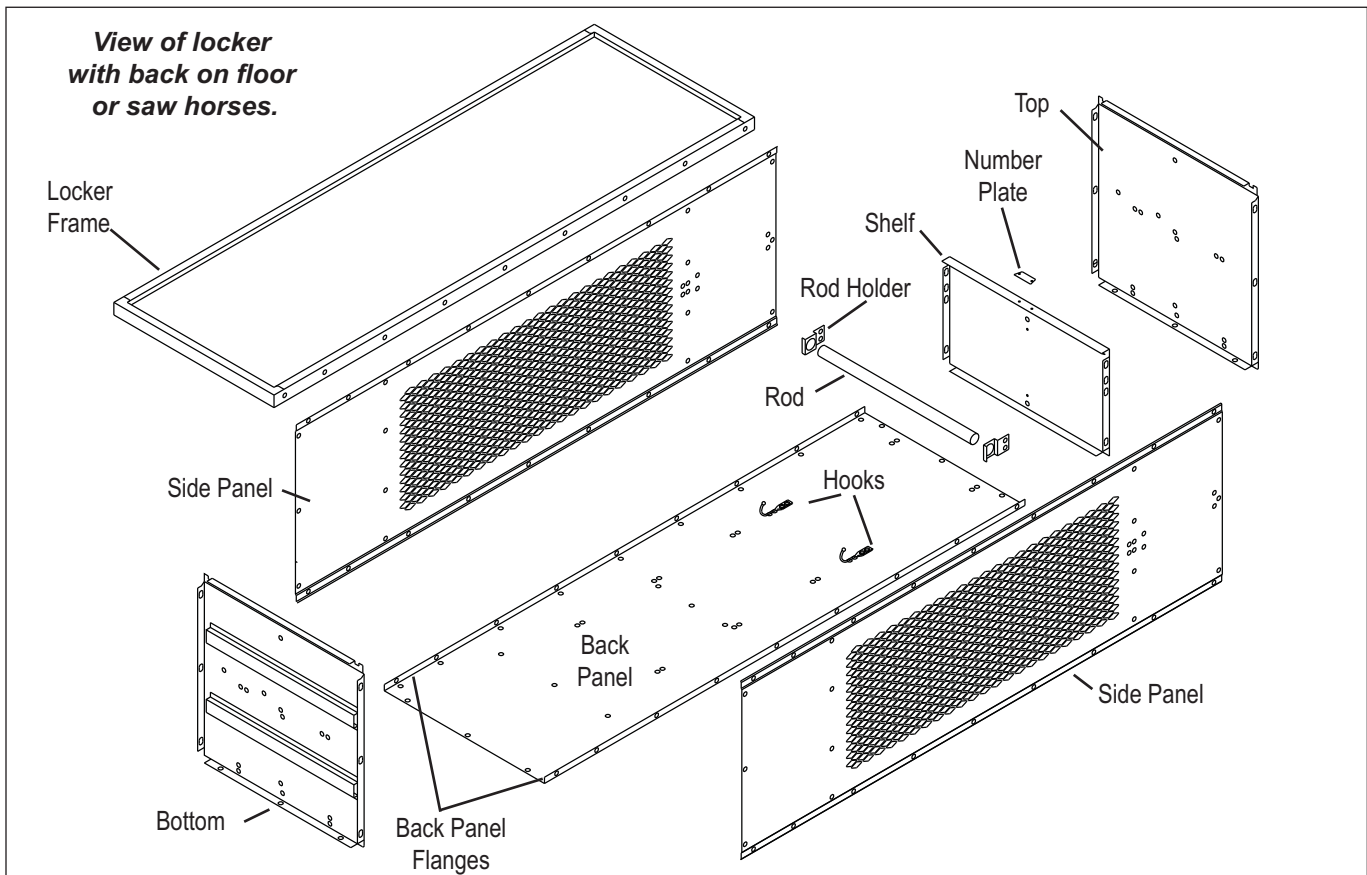
All bolts are to be inserted on outside of locker while all nuts are to be placed on the inside of the locker. Each Stadium locker is assembled as a stand-alone unit. Individual units can be joined together for placement in a row.



1. Place back panel on a pair of saw horses.
2. Bolt hooks to back panel.
3. Bolt one side panel to the inside of a back panel flange.
4. Bolt bottom to side and back panel.
5. Bolt second side panel to bottom and to the inside of the other back panel flange.
6. Loosely bolt shelf and rod holders to side panels and insert rod into rod holder holes.
7. Bolt top to the inside of the side panels and to the inside of the back panel.
8. Tighten bolts that anchor shelf and rod holders (leave bolts loose if installing Security Box).
9. Place locker frame over outside edge of side panels, bottom and top and bolt together.
10. Stand locker upright and install on a level surface.
11. Line up number plate with holes at front of shelf and rivet into place.

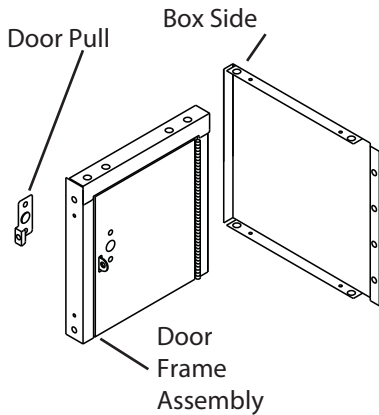
**All lockers must be anchored to the floor and / or wall.**

See page 2 for assembly of optional Security Box and Footlocker.

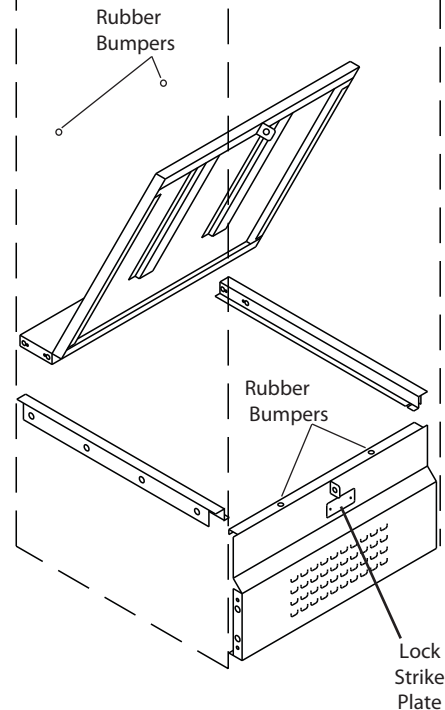
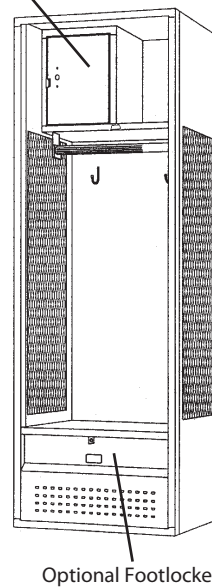
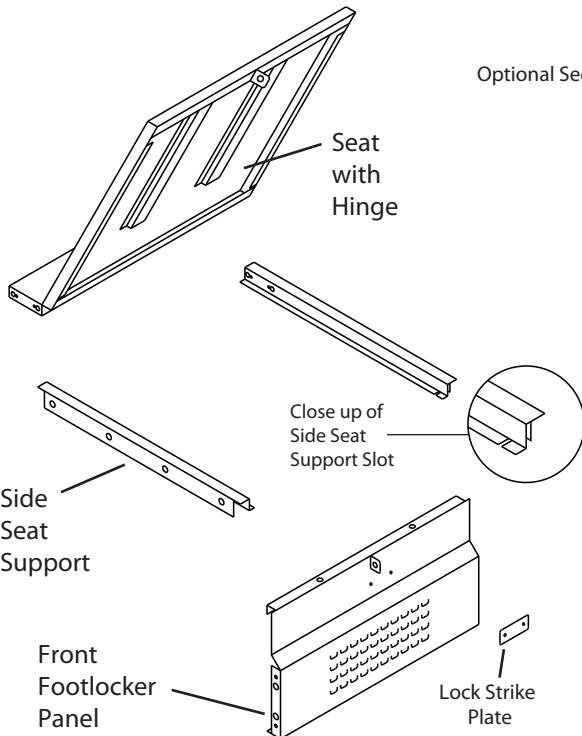
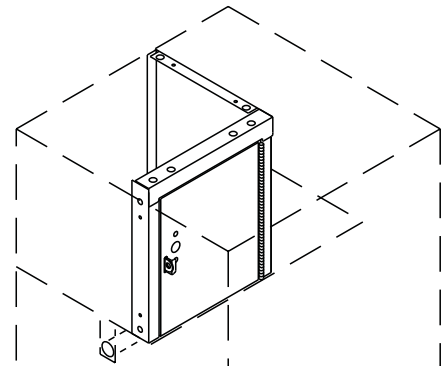




### Assembly of Optional Security Box



1. Loosely bolt box side to shelf and top.
2. Open door to door frame assembly.
3. Bolt the door frame assembly to the side panel, top and box side.
4. Bolt door pull to door (if installing built-in lock, replace door pull with built-in lock).
5. Tighten all loose bolts.
6. Close door and check alignment.



### Assembly of Optional Foot Locker

1. When installing locker frame (see page 1, step 9) leave bolts off bottom section.
2. Loosely bolt side seat supports (with support slot towards front of locker) to side panels.
3. Slide front footlocker panel down until downward bend on the top of the footlocker panel fits into side seat support slot. Loosely bolt front footlocker panel to locker frame.
4. Loosely bolt seat with hinge to side seat supports.
5. Align seat and hinge to front footlocker panel.
6. Tighten all loose bolts.
7. Insert rubber bumpers in holes at top of footlocker front panel and where open seat meets back panel.
8. Attach lock strike plate to front footlocker panel with supplied rivets.