

SchoolLockers.com

Toll Free: 877-952-0151 • Fax: 801-493-0158

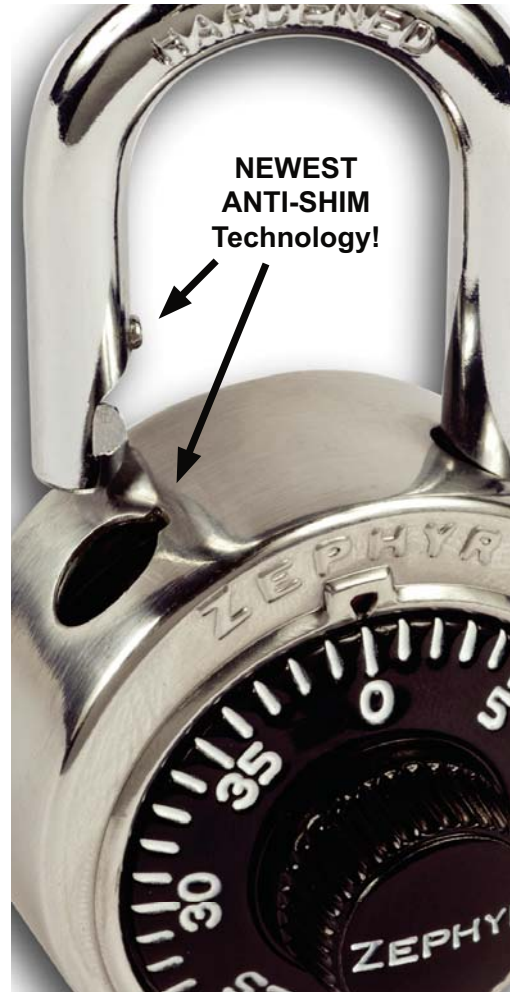
Your Locker Advantage!

• Email: lockers@schoollockers.com

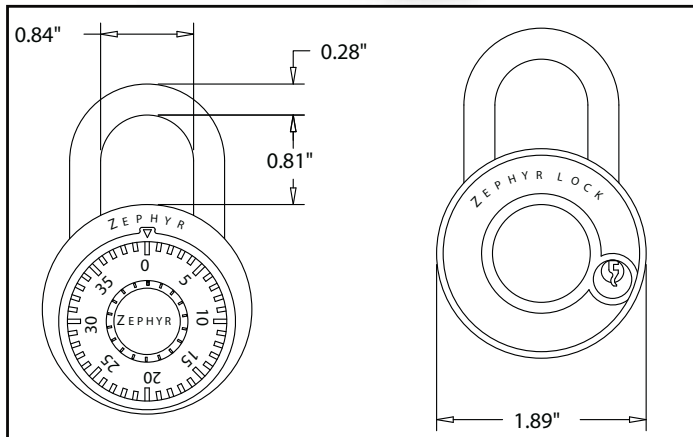
PADLOCK Key Controlled Combination Padlock with Anti-Shim Feature #1925



Patent Pending



DIMENSIONS



FEATURES

- New patent pending anti-shim feature
- Resists the most common shimming methods
- New case hardened steel post added to shackle for added protection to lock mechanism
- Stainless steel body for greater security and durability
- Hardened steel shackle
- Supervisory key control
- Approved by all locker manufacturers
- Most cost-effective locking solution for lockers
- 72 hour shipping available

APPLICATIONS

- Fits all lockers with a padlock eye of 5/16" or greater